



USER MANUAL
РУКОВОДСТВО ПО ЭКСПЛУАТАЦИИ

MDW 451 | MDW 452 | MDW 453

MDW 601 | MDW 602 | MDW 603

EN BUILT-IN
DISHWASHER

RU ВСТРАИВАЕМАЯ
ПОСУДОМОЕЧНАЯ
МАШИНА



English	3
Русский	46

Safety information 4

Product overview 5

Using your dishwasher 6

Maintenance and cleaning 10

Installation instruction 14

Troubleshooting tips 21

Loading the baskets 24

Control panel 27

Cleaning agents 30

Programming the dishwasher 34

Error codes 41

Technical information..... 42

Safety information

Installation and repair can only be carried out by a qualified technician. This appliance is intended to be used in households and not for commercial purposes.

This appliance can be used by children aged from 8 years and above and persons with reduced physical, sensory or mental capabilities or lack of experience and knowledge if they have been given supervision or instruction concerning use of the appliance in a safe way and understand the hazards involved.

Children shall not play with the appliance. Cleaning and user maintenance shall not be done by children without supervision. (For EN60335-1). This appliance is not intended for use by persons (including children) with reduced physical, sensory or mental capabilities, or lack of experience and knowledge, unless they have been given supervision or instruction concerning use of the appliance by a person responsible for their safety. (For IEC60335-1). Do not tamper with controls.

Please unplug before cleaning and maintaining the appliance. If the supply cord is damaged, it must be replaced by the manufacturer or its service agent or a similarly qualified person in order to avoid a hazard.

Do not modify the plug provided with the appliance if it does not fit the outlet.

Have a proper outlet installed by a qualified electrician.

Do not sit on, or stand on the door or dish rack of the dishwasher.

Do not operate your dishwasher unless all enclosure panels are properly in place. Open the door very carefully if the dishwasher is operating, there is a risk of water squirting out. Do not place any heavy objects on or stand on the door when it is open. The appliance could tip forward.

Earthing Instructions

This appliance must be earthed. In the event of a malfunction or breakdown, earthing will reduce the risk of an electric shock by providing a path of least resistance of electric current. This appliance is equipped with an earthing conductor plug.

The plug must be plugged into an appropriate outlet that is installed and earthed in accordance with all local codes and ordinances.

Improper connection of the equipment-earthing conductor can result in the risk of an electric shock. Check with a qualified electrician or service representative if you are in doubt whether the appliance is properly grounded.

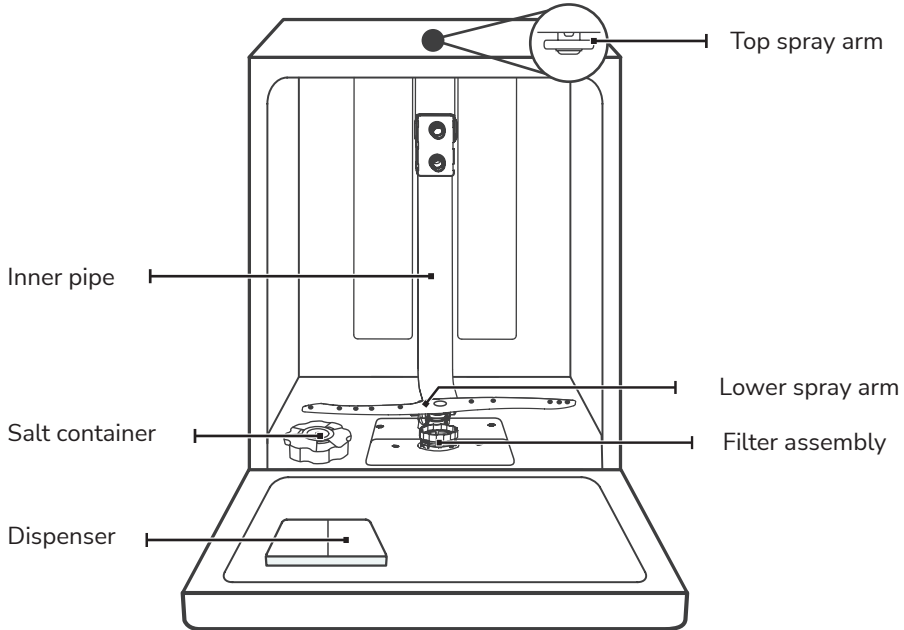
Disposal

Do not dispose this product as unsorted municipal waste. Collection of such waste separately for special treatment is necessary.

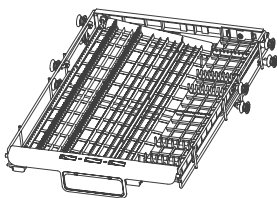
Product overview

! Attention

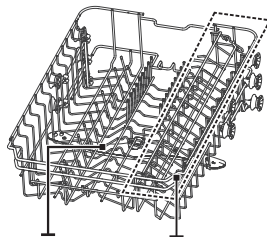
To get the best performance from your dishwasher, read all operating instructions before using it for the first time.



Upper basket



Cutlery rack



Upper spray arm Cup rack



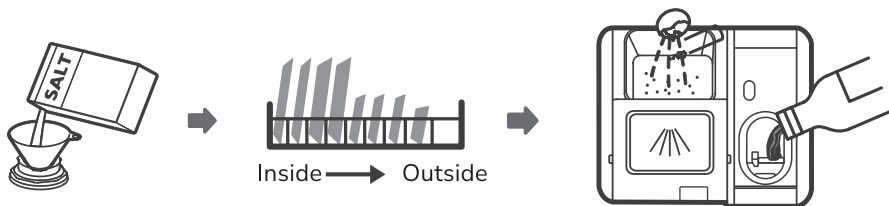
Lower basket

! Note

Pictures are only for reference, different models may be different.

Using your dishwasher

Before using your dishwasher:



1. Set the water softener.
2. Loading the salt into the softener.
3. Loading the basket.
4. Fill the detergent dispenser.



Note

Please check the section «Water Softener» on page 30, if you need to set the water softener.

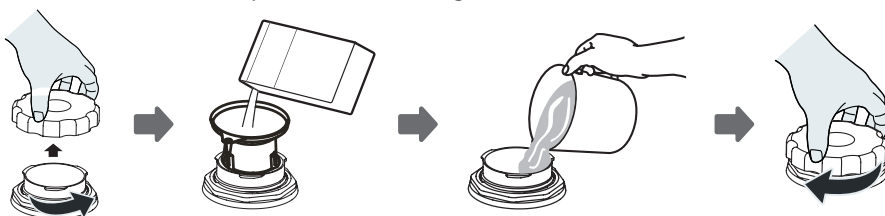
Loading The Salt Into The Softener



Warning

Only use salt specifically designed for dishwashers use! Only fill with salt right before running a cycle.

Please follow the steps below for adding dishwasher salt:



1. Remove the lower basket and unscrew the reservoir cap.
2. Place the end of the funnel (if supplied) into the hole and pour in about **1.5 kg** of dishwasher salt.
3. Fill the salt container to its maximum limit with water, It is normal for a small amount of water to come out of the salt container.
4. After filling the container, screw back the cap tightly.

5. The salt warning light will turn off after the salt container has been filled with salt.

6. Immediately after filling the salt into the salt container, a washing program should be started (We suggest to use a short program). Otherwise the filter system, pump or other important parts of the machine may be damaged by salty water. This is out of warranty.



Note

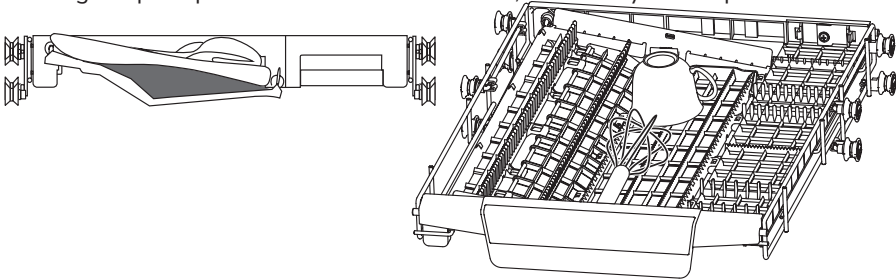
The salt container must only be refilled when the salt warning light (⚠) in the control panel comes on. Depending on how well the salt dissolves, the salt warning light may still be on even though the salt container is filled. If there is no salt warning light in the control panel (for some models), you can estimate when to fill the salt into the softener by the cycles that the dishwasher has run.

If salt has spilled, run a soak or quick program to remove it.

Basket Loading Tips

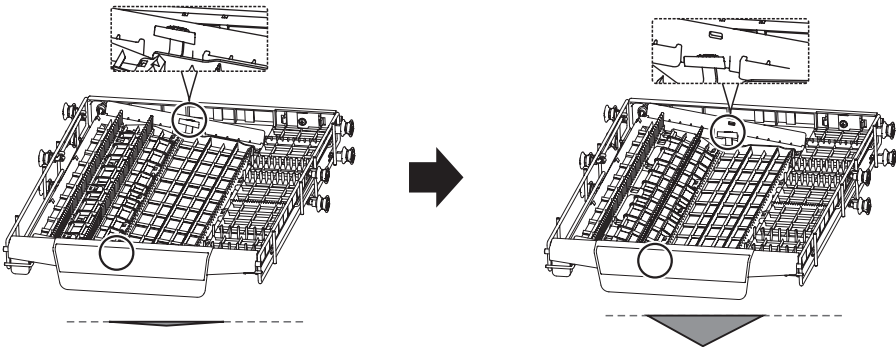
Easy removal of cutlery

Using the principle of crank slider mechanism, the cutlery are suspended.



Adjust the height of the rack

Loosen the four buttons on the tray and press down gently.

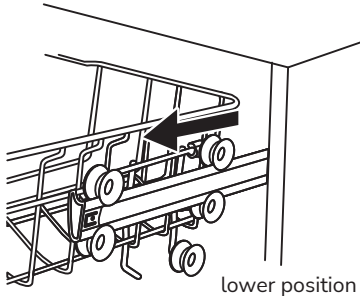


Adjusting the upper basket

Type 1

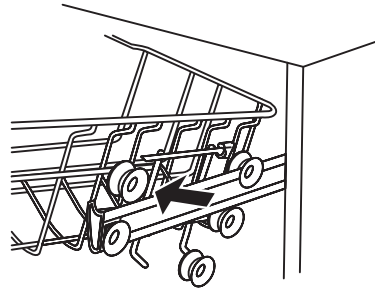
The height of the upper basket can be easily adjusted to accommodate taller dishes in either the upper or lower basket.

To adjust the height of the upper rack, follow these steps:

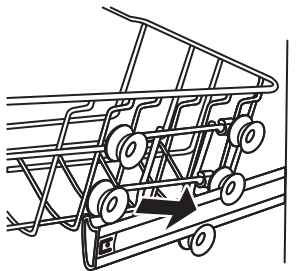


lower position

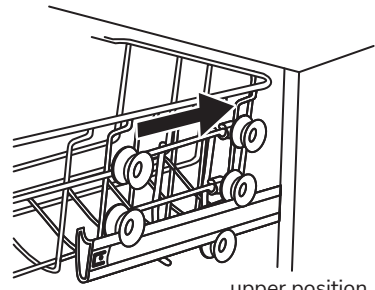
Pull out the upper basket



Remove the upper basket



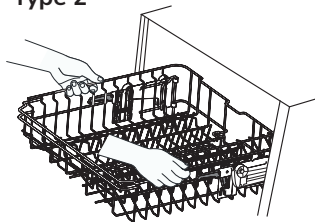
Re-attach the upper basket to upper or lower rollers



upper position

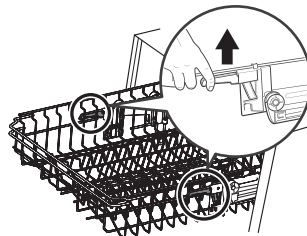
Push in the upper basket

Type 2



To raise the upper basket, just lift the upper basket at the center of each side until the basket locks into place in the upper position.

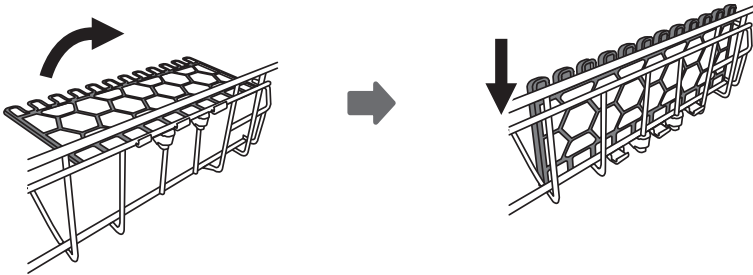
It is not necessary to lift the adjuster handle



To lower the upper basket, lift the adjust handles on each side to release the basket and lower it to the lower position

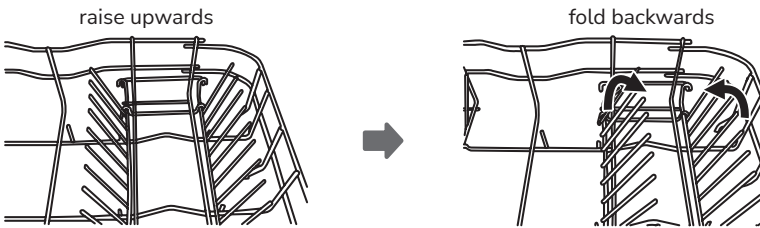
Folding back the cup shelves

To make room for taller items in the upper basket, raise the cup rack upwards. You can then lean the tall glasses against it. You can also remove it when it is not required for use.

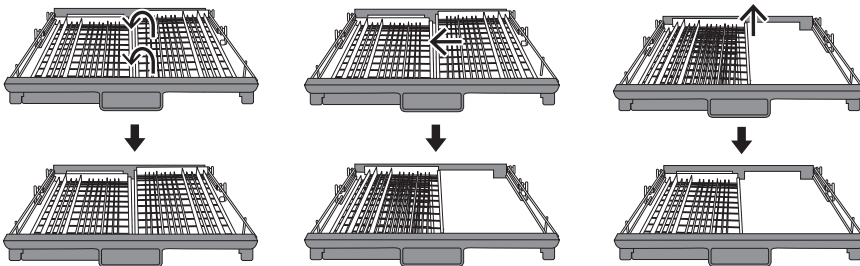


Folding back the rack shelves

The spikes of the lower basket are used for holding plates and a platter. They can be lowered to make more room for large items.



Cutlery Rack Tips for MDW 601/602/603



Lift the right basket up, both left and right baskets are flat

Move the right basket from right to left, two baskets are overlapping

Remove the right basket from the tray, only the left basket is left

Maintenance and cleaning

The door and the door seal

Clean the door seals regularly with a soft damp cloth to remove food deposits. When the dishwasher is being loaded, food and drink residues may drip onto the sides of the dishwasher door. These surfaces are outside the wash cabinet and are not accessed by water from the spray arms. Any deposits should be wiped off before the door is closed.

The control panel

If cleaning is required, the control panel should be wiped with a soft damp cloth only.



Warning

To avoid penetration of water into the door lock and electrical components, do not use a spray cleaner of any kind.

Never use abrasive cleaners or scouring pads on the outer surfaces because they may scratch the finish. Some paper towels may also scratch or leave marks on the surface.

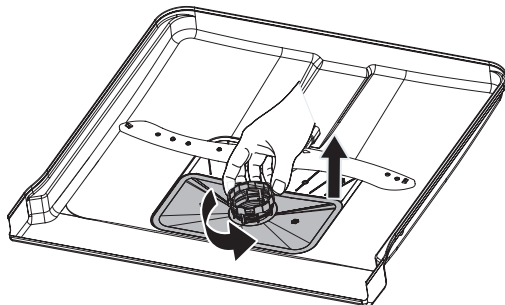
Filtering system

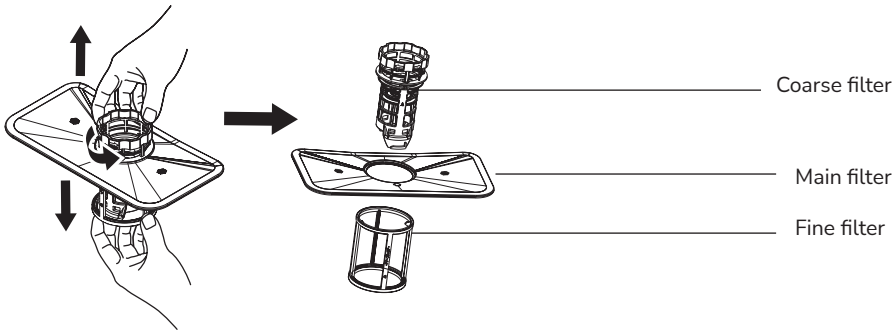
The filtering system in the base of the wash cabinet retains coarse debris from the washing cycle, including foreign objects such as tooth picks or shards. The collected coarse debris may cause the filters to clog. Check the condition of the filters regularly, carefully remove foreign objects and clean the parts of the filtering system if necessary with water. Follow the steps below to clean the filter.

Note

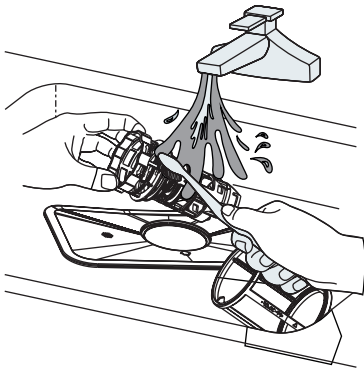
Pictures are only for reference, different models of the filtering system and spray arms may be different.

Hold the coarse filter and rotate it anticlockwise to unlock the filter. Lift the filter upwards and out of the dishwasher

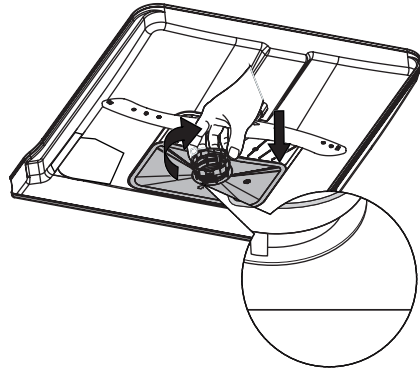




The fine filter can be pulled off the bottom of the filter assembly. The coarse filter can be detached from the main filter by gently squeezing the tabs at the top and pulling it away



Larger food remnants can be cleaned by rinsing the filter under running water. For a more thorough clean, use a soft cleaning brush



Reassemble the filters in the reverse order of the disassembly, replace the filter insert, and rotate clockwise to the close arrow



Warning

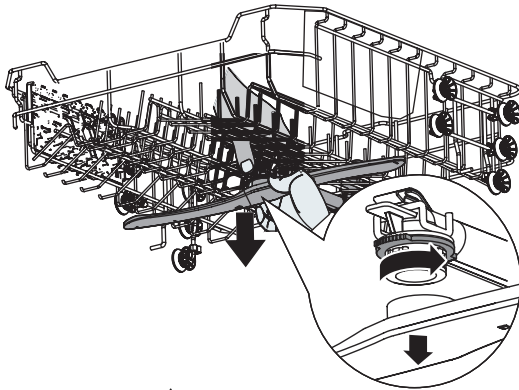
Do not over tighten the filters. Put the filters back in sequence securely, otherwise coarse debris could get into the system and cause a blockage.

Never use the dishwasher without filters in place. Improper replacement of the filter may reduce the performance level of the appliance and damage dishes and utensils.

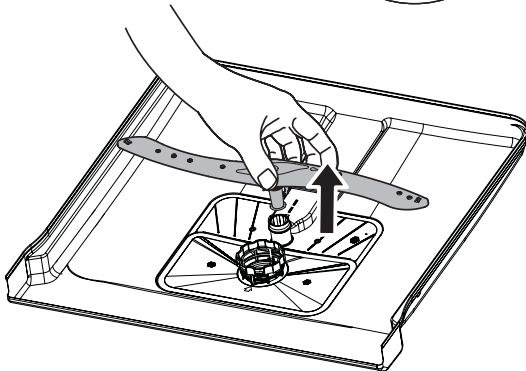
Spray arms

It is necessary to clean the spray arms regularly for hard water chemicals will clog the spray arm jets and bearings.

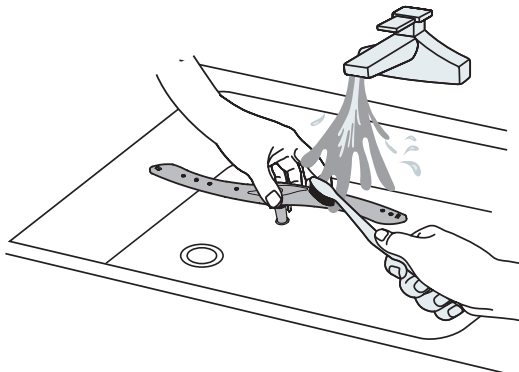
To clean the spray arms, follow the instructions below:



To remove the upper spray arm, hold the nut in the center still and rotate the spray arm counterclockwise to remove it



To remove the lower spray arm, pull out the spray arm upward



Wash the arms in soapy and warm water and use a soft brush to clean the jets

Caring For The Dishwasher

Frost precaution

Please take frost protection measures on the dishwasher in winter. Every time after washing cycles, please operate as follows:

1. Cut off the electrical power to the dishwasher at the supply source.
2. Turn off the water supply and disconnect the water inlet pipe from the water valve.
3. Drain the water from the inlet pipe and water valve. (Use a pan to gather the water).
4. Reconnect the water inlet pipe to the water valve.
5. Remove the filter at the bottom of the tub and use a sponge to soak up water in the sump.

After every wash

After every wash, turn off the water supply to the appliance and leave the door slightly open for a while so that moisture and odors are not trapped inside.

Remove the plug

Before cleaning or performing maintenance, always remove the plug from the socket.

No solvents or abrasive cleaning

To clean the exterior and rubber parts of the dishwasher, do not use solvents or abrasive cleaning products. Only use a cloth with warm soapy water. To remove spots or stains from the surface of the interior, use a cloth dampened with water and a little vinegar, or a cleaning product made specifically for dishwashers.

When not in use for a long time

It is recommended that you run a wash cycle with the dishwasher empty and then remove the plug from the socket, turn off the water supply and leave the door of the appliance slightly open. This will help the door seals to last longer and prevent odors from forming within the appliance.

Moving the appliance

If the appliance must be moved, try to keep it in the vertical position. If absolutely necessary, it can be positioned on its back.

Seals

One of the factors that cause odours to form in the dishwasher is food that remains trapped in the seals. Periodic cleaning with a damp sponge will prevent this from occurring.

Installation instruction



Warning

Electrical Shock Hazard:

Disconnect electrical power before installing dishwasher. Failure to do so could result in death or electrical shock. During installation, the power supply must not be excessively or dangerously bent or flattened.



Attention

To get the best performance from your dishwasher, read all operating instructions before using it for the first time.

About Power Connection



Warning

For personal safety:

Do not use an extension cord or an adapter plug with this appliance. Do not, under any circumstances, cut or remove the earthing connection from the power cord.

Electrical requirements

Please look at the rating label to know the rating voltage and connect the dishwasher to the appropriate power supply. Use the required fuse 10A/13A/16A, time delay fuse or circuit breaker recommended and provide separate circuit serving only this appliance.

Electrical connection

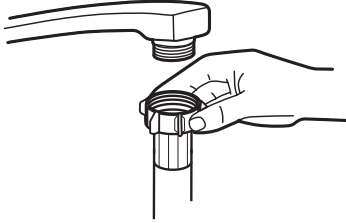
Ensure the voltage and frequency of the power being corresponds to those on the rating plate. Only insert the plug into an electrical socket which is earthed properly. If the electrical socket to which the appliance must be connected is not appropriate for the plug, replace the socket, rather than using a adaptors or the like as they could cause overheating and burns.

Ensure that proper earthing exists before use.

Water Supply And Drain

The appliance needs to be connected to the main water valve using new hose sets. Old sets should not be reused. Connect the cold water supply hose to a threaded **3/4 (inch)** connector and make sure that it is fastened tightly in place.

If the water pipes are new or have not been used for an extended period of time, let the water run to make sure that the water is clear. This precaution is needed to avoid the risk of the water inlet to be blocked and damage the appliance.



ordinary supply hose



safety supply hose

About the safety supply hose

The safety supply hose consists of the double walls. The system guarantees its intervention by blocking the flow of water in case of the supply hose breaking and when the air space between the supply hose itself and the outer corrugated hose is full of water.



Warning

A hose that attaches to a tap can burst if it is installed on the same water line as the dishwasher. If your sink has one, it is recommended that the hose be disconnected and the hole plugged.

How to connect the safety supply hose

1. Pull the safety supply hoses out from storage compartment located at rear of dishwasher.
2. Tighten the screws of the safety supply hose to the faucet with thread **3/4 inch**.
3. Turn the water fully on before starting the dishwasher.

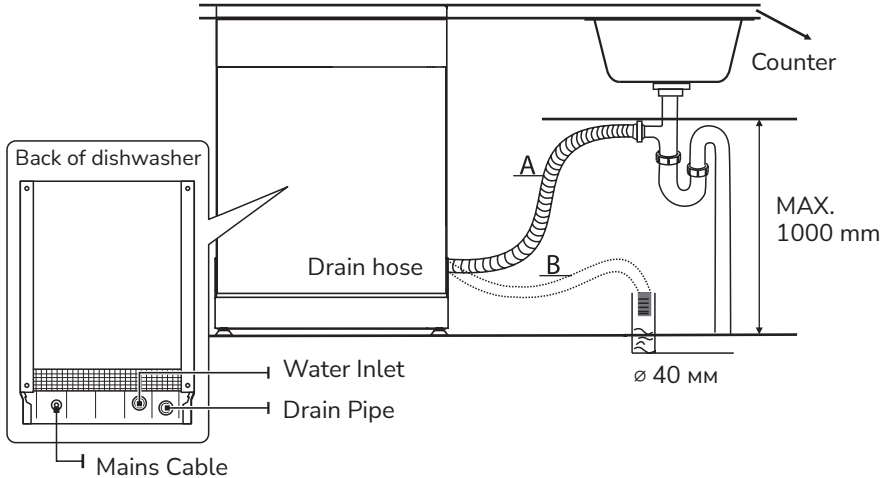
How to disconnect the safety supply hose

1. Turn off the water.
2. Unscrew the safety supply hose from the faucet.

Connection Of Drain Hoses

Insert the drain hose into a drain pipe with a minimum diameter of **4 cm**, or let it run into the sink, making sure to avoid bending or crimping it. The height of drain pipe must be less than **1000 mm**. The free end of the hose must not be immersed in water to avoid the back flow of it.

Please securely fix the drain hose in either position **A** or position **B**.



How to drain excess water from hoses

If the connection to the drain pipe is positioned higher than **1000 mm**, excess water may remain in the drain hose. It will be necessary to drain excess water from the hose into a bowl or suitable container that is held outside and lower than the sink.

Water outlet

Connect the water drain hose. The drain hose must be correctly fitted to avoid water leaks. Ensure that the water drain hose is not kinked or squashed.

Extension hose

If you need a drain hose extension, make sure to use a similar drain hose.

It must not be longer than **4 meters**, otherwise the cleaning effect of the dishwasher could be reduced.

Syphon connection

The waste connection must be at a height less than **1000 mm (maximum)** from the bottom of the dishwasher.

Positioning The Appliance

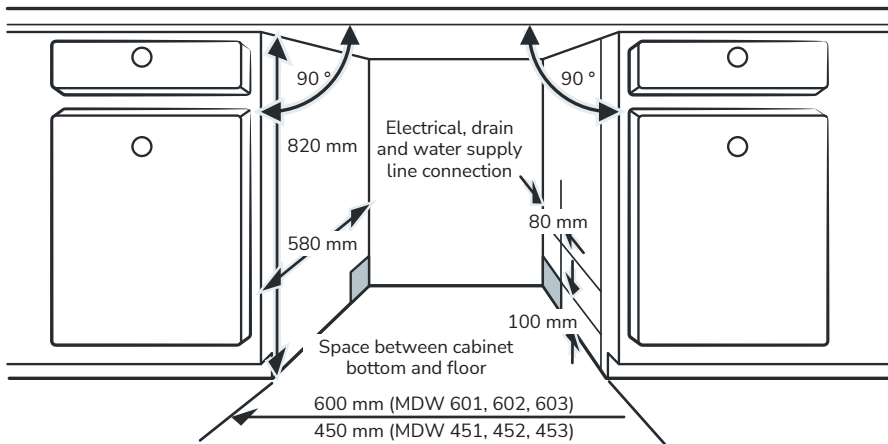
Position the appliance in the desired location. The back should rest against the wall behind it, and the sides, along the adjacent cabinets or walls. The dishwasher is equipped with water supply and drain hoses that can be positioned either to the right or the left sides to facilitate proper installation.

Built-In Installation (for the integrated model)

Step 1. Selecting the best location for the dishwasher

The installation position of the dishwasher should be near the existing inlet and drain hose and power socket. Illustrations of cabinet dimensions and installation position of the dishwasher.

1. Less than **5 mm** between the top of dishwasher and cabinet and the outer door aligned to cabinet.

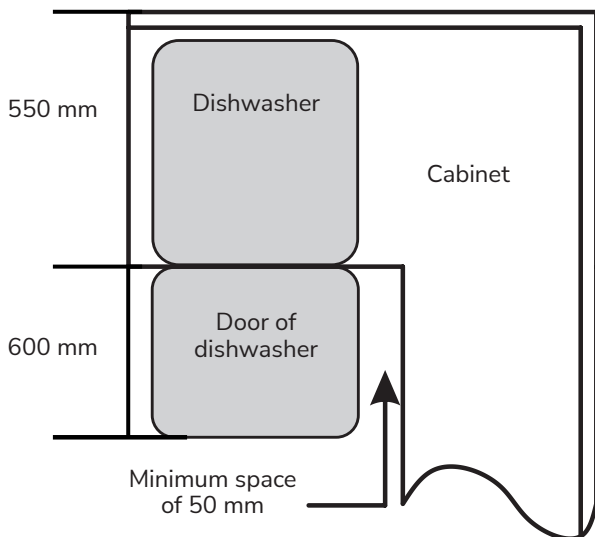


2. If dishwasher is installed at the corner of the cabinet, there should be some space when the door is opened.



Note

Depending on where your electrical outlet is, you may need to cut a hole in the opposite cabinet side.



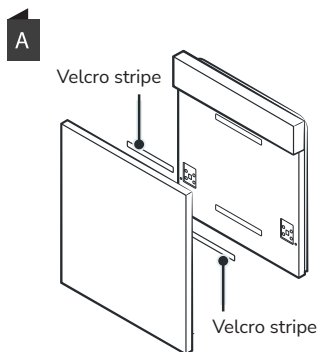
Step 2. Aesthetic panel's dimensions and installation

Note

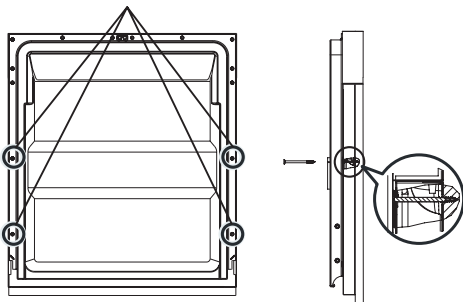
Follow the specific installation instruction for attaching the aesthetical door panel.

Semi-integrated model

Separate velcro stripe **A** and velcro stripe **B** and attach velcro stripe **A** on the inner side of the aesthetic panel. Attach the felted velcro stripe **B** on the outer door of dishwasher (see figure **A**). After positioning of the panel, fix the panel onto the outer door by screws and bolts (See figure **B**).



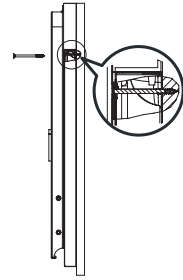
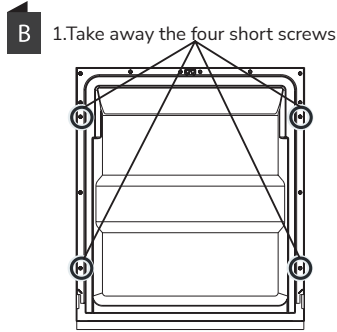
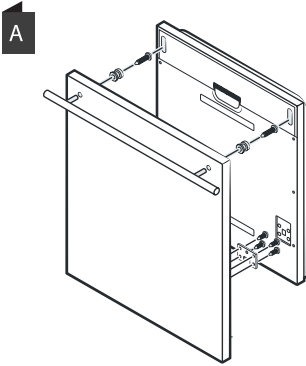
B 1. Take away the four short screws



2. Pin up the four long screws

Fully-integrated model

Install the hook on the aesthetic panel and put the hook into the slot of the outer door of dishwasher (see figure **A**). After positioning of the panel, fix the panel onto the outer door by screws and bolts (See figure **B**).

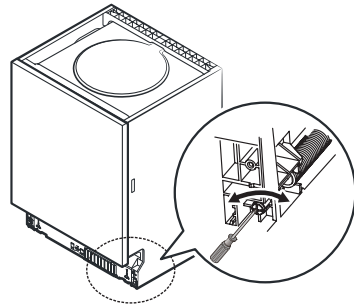


2.Pin up the four long screws

Step 3. Tension adjustment of the door spring

1. The door springs are set at the factory to the proper tension for the outer door. If aesthetic panel are installed, you will have to adjust the door spring tension. Rotate the adjusting screw to drive the adjustor to strain or relax the steel cable.

2. Door spring tension is correct when the door remains horizontal in the fully opened position, yet rises to a close with the slight lift of a finger.



Step 4. Dishwasher installation steps

! Note

Please refer to the specific installation steps in the installation drawings.

1. Affix the condensation strip under the work surface of cabinet. Please ensure the condensation strip is flush with edge of work surface.
2. Connect the inlet hose to the cold water supply.
3. Connect the drain hose.
4. Connect the power cord.
5. Place the dishwasher into the cabinet.

6. Level the dishwasher. The rear foot can be adjusted from the front of the dishwasher by turning the Philips screw in the middle of the base of dishwasher use a Philips screw driver. To adjust the front feet, use a flat screw driver and turn the front feet until the dishwasher is level.

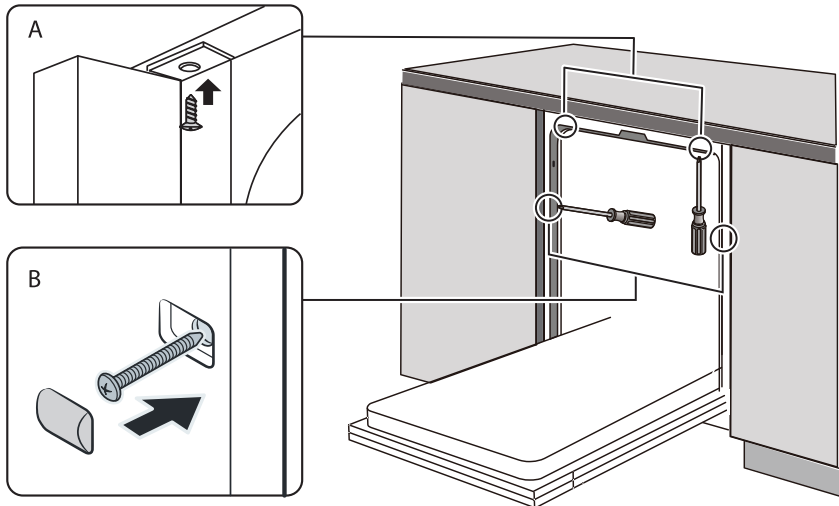
7. Install the furniture door to the outer door of the dishwasher.

8. Adjust the tension of the door springs by using a Philips screw driver turning in a clockwise motion to tighten the left and right door springs. Failure to do this could cause damage to your dishwasher.

9. The dishwasher must be secured in place. There are two ways to do this:

A. Normal work surface: Put the installation hook into the slot of the side plane and secure it to the work surface with the screws.

B. Marble or granite work top: Fix the side with screws.



Step 5. Levelling the dishwasher

Dishwasher must be level for proper dish rack operation and wash performance.

1. Place a spirit level on door and rack track inside the tub as shown to check that the dishwasher is level.

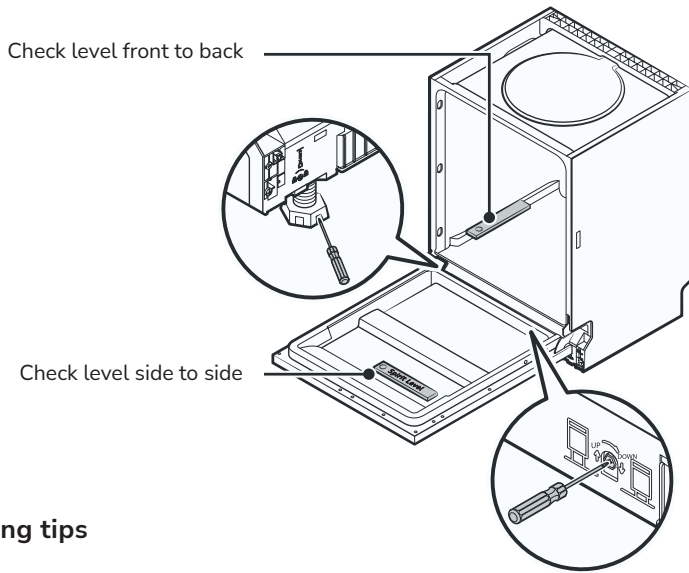
2. Level the dishwasher by adjusting the three levelling feet individually.

3. When level the dishwasher, please pay attention not to let the dishwasher tip over.



Note

The maximum adjustment height of the feet is 50 mm.



Troubleshooting tips

Before Calling For Service

Reviewing the charts on the following pages may save you from calling for service.

Problem	Possible Causes	What To Do
Dishwasher doesn't start	Fuse blown, or the circuit break tripped	Replace fuse or reset circuit breaker. Remove any other appliances sharing the same circuit with the dishwasher
	Power supply is not turned on	Make sure the dishwasher is turned on and the door is closed securely. Make sure the power cord is properly plugged into the wall socket
	Water pressure is low	Check that the water supply is connected properly and the water is turned on
	Door of dishwasher not properly closed	Make sure to close the door properly and latch it
Water not pumped from dishwasher	Twisted or trapped drain hose	Check the drain hose
	Filter clogged	Check the filter system
	Kitchen sink clogged	Check the kitchen sink to make sure it is draining well. If the problem is the kitchen sink that is not draining, you may need a plumber rather than a serviceman for dishwashers

Troubleshooting tips

Problem	Possible Causes	What To Do
Foam in the tub	Wrong detergent	Use only the special dishwasher detergent to avoid suds. If this occurs, open the dishwasher and let suds evaporate. Add 1 liter of cold water to the bottom of the dishwasher. Close the dishwasher door, then select any cycle. Initially, the dishwasher will drain out the water. Open the door after draining stage is complete and check if the suds have disappeared. Repeat if necessary
	Spilled rinse aid	Always wipe up rinse aid spills immediately
Stained tub interior	Detergent with colourant may have been used	Make sure that the detergent has no colourant
White film on inside surface	Hard water minerals	To clean the interior, use the damp soft cloth with dishwasher detergent and wear rubber gloves. Never use any other cleaner than dishwasher detergent otherwise, it may cause foaming or suds
There are rust stains on cutlery	The affected items are not corrosion resistant	Avoid washing items that are not corrosion resistant in the dishwasher
	A program was not run after dishwasher salt was added. Traces of salt have gotten into the wash cycle	Always run a wash program without any crockery after adding salt. Do not select the Turbo function (if present), after adding dishwasher salt
	The lid of the softer is loose	Check the softener lid is secure
Knocking noise in the dishwasher	A spray arm is knocking against an item in a basket	Interrupt the program and rearrange the items which are obstructing the spray arm
Rattling noise in the dishwasher	Items of crockery are loose in the dishwasher	Interrupt the program and rearrange the items of crockery
Knocking noise in the water pipes	This may be caused by on-site installation or the cross-section of the piping	This has no influence on the dishwasher function. If in doubt, contact a qualified plumber



Warning

Self-repair or non-professional repair may cause serious risks to the safety of the user of the appliance and impact warranty.

Problem	Possible Causes	What To Do
The dishes are not clean	The dishes were not loaded correctly	See the section «Preparing And Loading Dishes»
	The program was not powerful enough	Select a more intensive program
	Not enough detergent was dispensed	Use more detergent, or change your detergent
	Items are blocking the movement of the spray arms	Rearrange the items so that the spray can rotate freely
	The filter combination is not clean or is not correctly fitted in the base of wash cabinet. This may cause the spray arm jets to get blocked	Clean and/or fit the filter correctly. Clean the spray arm jets
Cloudiness on glassware	Combination of soft water and too much detergent	Use less detergent if you have soft water and select a shorter cycle to wash the glassware and to get them clean
White spots appear on dishes and glasses	Hard water area can cause limescale deposits	Check water softener settings or fill status of salt container
Black or grey marks on dishes	Aluminium utensils have rubbed against dishes	Use a mild abrasive cleaner to eliminate those marks
Detergent left in dispenser	Dishes block detergent dispenser	Re-loading the dishes properly
The dishes aren't drying	Wrong program has been selected	With a short program, the washing temperature is lower, decreasing cleaning performance. Choose a program with a long washing time
	Use of cutlery with a low-quality coating	Water drainage is more difficult with these items. Cutlery or dishes of this type are not suitable for washing in the dishwasher

Availability Of Spare Parts

Seven years after placing the last unit of the model on the market

Motor, circulation and drain pump, heaters and heating elements, including heat pumps (separately or bundled), piping and related equipment including all hoses, valves, filters and aqua stops, structural and interior parts related to door assemblies (separately or bundled), printed circuit boards, electronic displays, pressure switches, thermostats and sensors, software and firmware including reset software, hinge and seals, other seals, spray arms, drain filters, interior racks and plastic peripherals such as baskets and lids.

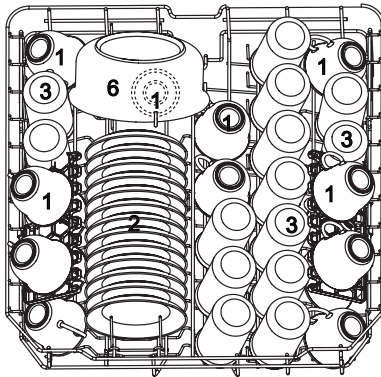
Loading the baskets

Loading the dishwasher to its full capacity will contribute to energy and water savings.

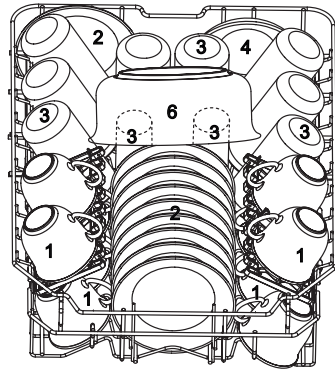
Upper basket

- 1 - Cups
- 2 - Saucers
- 3 - Glasses
- 4 - Small serving bowl
- 5 - Medium serving bowl
- 6 - Large serving bowl

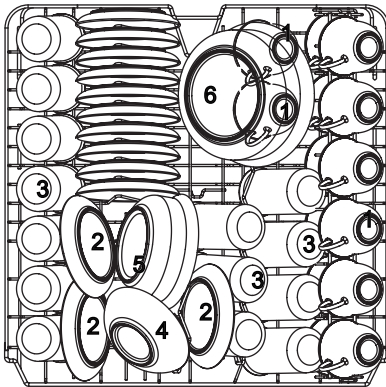
MDW 601



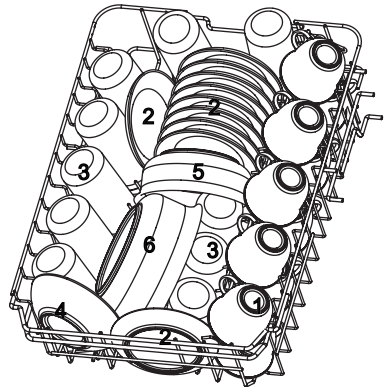
MDW 451



MDW 602/MDW 603

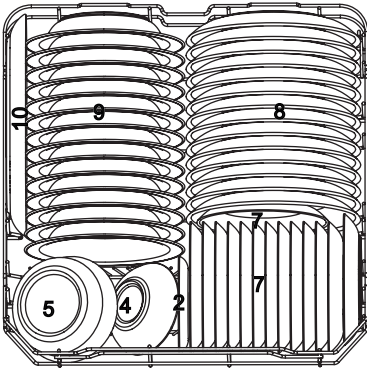


MDW 452/MDW 453



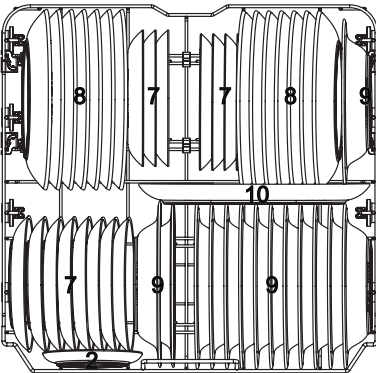
Lower basket

MDW 601

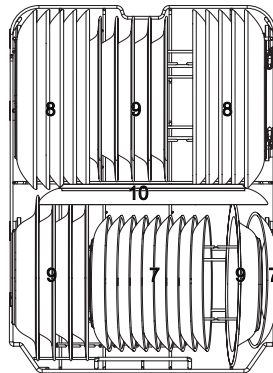


- 2 - Saucers
- 4 - Small serving bowl
- 5 - Medium serving bowl
- 7 - Dessert dishes
- 8 - Dinner plates
- 9 - Soup plates
- 10 - Oval platter

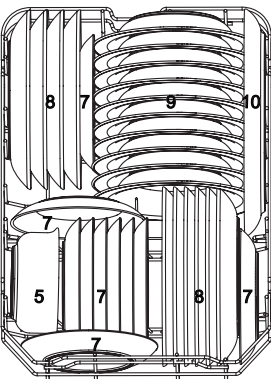
MDW 602/MDW 603



MDW 452/MDW 453

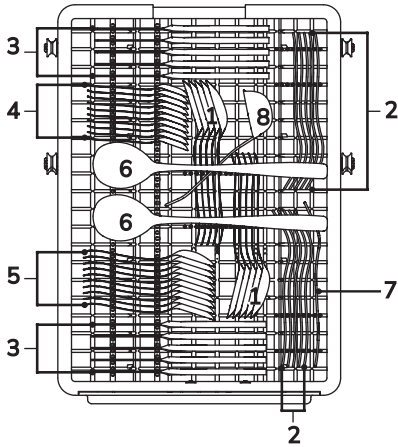


MDW 451

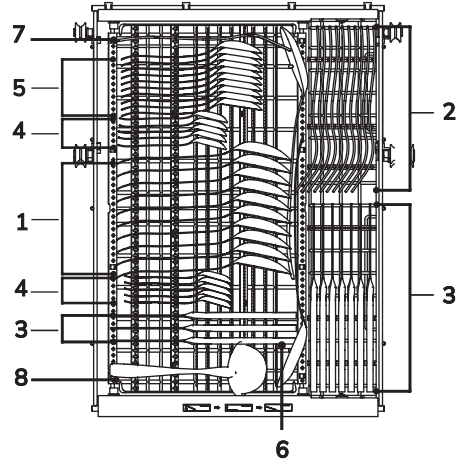


Cutlery rack

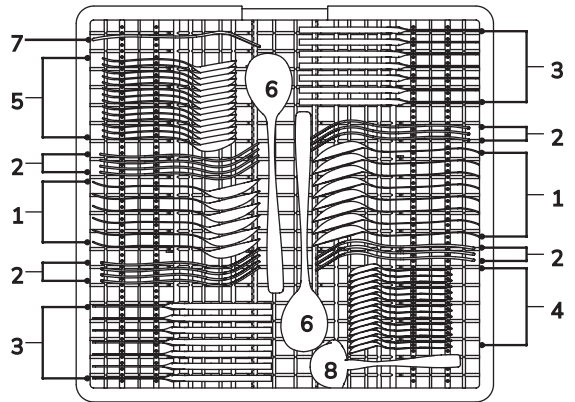
MDW 451



MDW 452/453



MDW 601/MDW 602/MDW 603

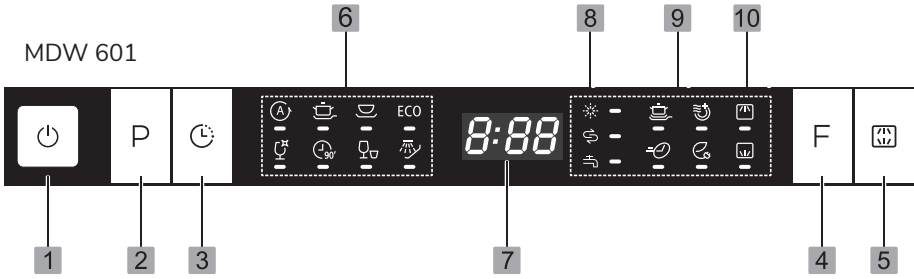


- 1 - Soup spoons
- 2 - Forks
- 3 - Knives
- 4 - Teaspoons
- 5 - Dessert spoons
- 6 - Serving spoons
- 7 - Serving forks
- 8 - Gravy ladles

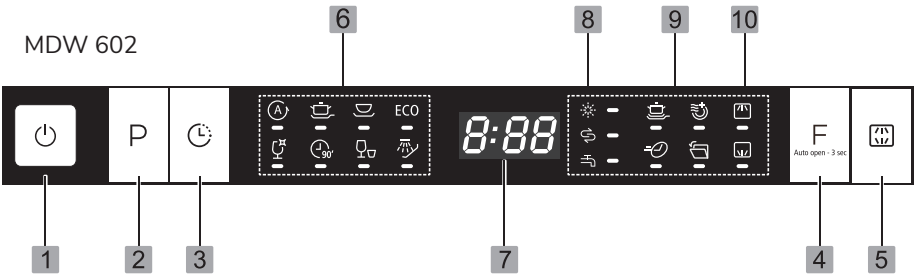


Control Panel

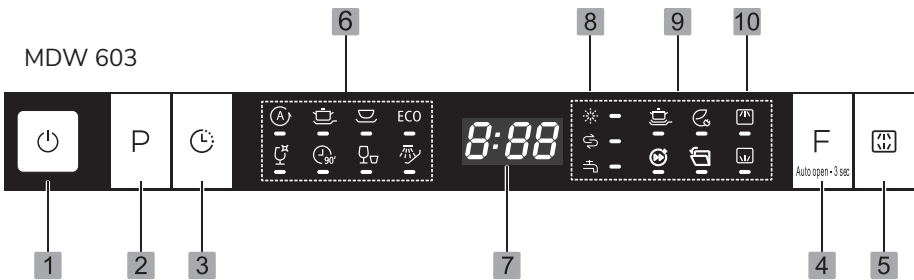
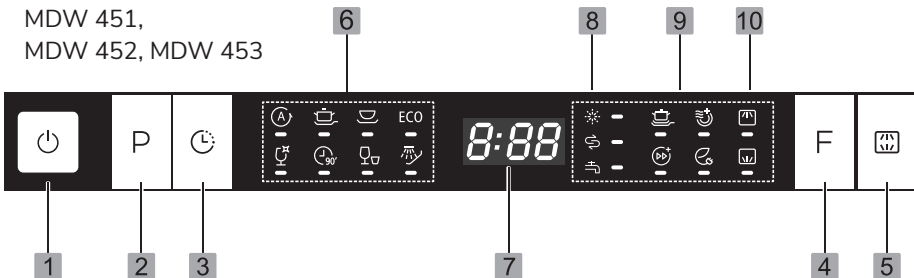
MDW 601



MDW 602










MDW 603










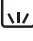
MDW 451,
MDW 452, MDW 453

Operation (Button)

Nº	Setting	Description
1	Power	Press this button to turn on your dishwasher, the screen lights up
2	Program	Press this button to select the appropriate washing program, the selected program indicator will be lit
3	Delay	Press this button to set the delayed hours for washing. You can delay the start of washing up to 24 hours. One press on this button delays the start of washing by one hour
4	Function	Press the button to select a function, corresponding indicator will be lit
5	Alt	Press the button to select either upper basket or lower basket loaded, and the response indicators will be lit

Display

Nº	Setting	Description
6	Program indicator	 Auto For lightly, normally or heavily soiled crockery with or without dried-on food
		 Intensive For heaviest soiled crockery, and normally soiled pots, pans, dishes etc. With dried-on food
		 Universal For normally soiled loads, such as pots, plates, glasses and lightly soiled pans
		ECO ECO This is the standard program suitable for normally soiled loads, such as pots, plates, glasses and lightly soiled pans
		 Glass For lightly soiled crockery and glass
		 90 Min For normally soiled loads that need quick wash
		 Rapid A shorter wash for lightly soiled loads that do not need drying
		 Soak To rinse dishes that you plan to wash later that day

Nº	Setting	Description
7	Screen	 To show the reminding time, delay time, error code etc
8	Warning	 Rinse Aid If the indicator is lit, it means the dishwasher is low on dishwasher rinse aid and requires a refill
		 Salt If the indicator is lit, it means the dishwasher is low on dishwasher salt and needs to be refilled
		 Water Faucet If the indicator is lit, it means the water faucet closed
9	Function indicator	 Power wash To wash very dirty, hard to clean dishes. (It can only be used with: MDW 451/601: Auto, Intensive, ECO, Glass, 90 Min, MDW 452/602: Intensive, Universal, ECO, Glass, 90 Min MDW 453/603: Intensive, ECO, Glass, 90 Min)
		 Extra drying To dry dishes more completely. (It can only be used with: MDW 451/601: Auto, Intensive, ECO, Glass, 90 Min, MDW 452/453/602: Intensive, Universal, ECO, Glass, 90 Min)
		 Turbo speed+ Reduce the program time. (It can only be used with: MDW 451/601: all programmes MDW 452/602, 453/603: Intensive, Universal, ECO, Glass, 90 Min)
		 Energy save when you have less plates to wash ,you can choose it. (It can only be used with: MDW 451/601: Auto, Intensive, ECO, Glass, 90 Min MDW 452/453: Intensive, Universal, ECO, Glass, 90 Min MDW 603: Intensive, ECO, Glass, 90 Min)
		 Auto open After washing, the door will open automatically to achieve better drying effect. (It can only be used for MDW 602/603 with Auto, Intensive, Universal, ECO, Glass, 90 Min)
		10
 Lower When you select Lower, only the lower rack nozzle is activated. The upper nozzle will not operate		

Cleaning agents

Water Softener

The water softener must be set manually, using the water hardness dial. The water softener is designed to remove minerals and salts from the water, which would have a detrimental or adverse effect on the operation of the appliance.

The more minerals there are, the harder your water is.

The softener should be adjusted according to the hardness of the water in your area.

Your local Water Authority can advise you on the hardness of the water in your area.

Adjusting salt consumption

The dishwasher is designed to allow for adjustment in the amount of salt consumed based on the hardness of the water used. This is intended to optimise and customise the level of salt consumption.

1. Open the door and switch on the appliance.

2. Press the Program button for more than **5 seconds** to start the water softener set model within **60 seconds** after press the Power button.

3. Press the Program button to select the proper set according to your local environment, the sets will change in the following sequence: **H3->H4->H5->H6->H1->H2->H3**.

4. Without operation in **5 seconds** or press the Power button to complete the setup and exit the setup mode.

Water hardness	Mmol/l	Water softener level	Salt consumption (gram/cycle)
Soft	0–0,94	H1	0
Moderately hard	1,0–2,0	H2	9
	2,1–3,0	H3	12
	3,1–4,0	H4	20
Hard	4,1–6,0	H5	30
	6,1–9,8	H6	60

The manufactory setting: H3.

Contact your local water board for information on the hardness of your water supply.

Preparing And Loading Dishes

- Consider buying utensils which are identified as dishwasher-proof.
- For particular items, select a program with the lowest possible temperature.
- To prevent damage, do not take glass and cutlery out of the dishwasher immediately after the program has ended.

For washing the following cutlery/dishes

Are not suitable:

- Cutlery with wooden, horn china or mother-of-pearl handles.
- Plastic items that are not heat resistant. Do not wash plastic items unless they are marked "dishwasher safe" or the equivalent.
- Older cutlery with glued parts that are not temperature resistant.
- Bonded cutlery items or dishes.
- Pewter or cooper items.
- Crystal glass.
- Steel items subject to rusting.
- Wooden platters.
- Items made from synthetic fibres.

Are of limited suitability:

- Some types of glasses can become dull after a large number of washes.
- Silver and aluminum parts have a tendency to discolour during washing.
- Glazed patterns may fade if machine washed frequently.

**Warning**

Items will be hot! To prevent damage, do not take glass and cutlery out of the dishwasher for around 15 minutes after the program has ended.

**Warning**

Do not let any item extend through the bottom. Always load sharp utensils with the sharp point down!

**Function Of The Rinse Aid And Detergent**

The rinse aid is released during the final rinse to prevent water from forming droplets on your dishes, which can leave spots and streaks. It also improves drying by allowing water to roll off the dishes. Your dishwasher is designed to use liquid rinse aids.

**Warning**

Only use branded rinse aid for dishwasher. Never fill the rinse aid dispenser with any other substances (e.g. Dishwasher cleaning agent, liquid detergent). This would damage the appliance.

When to refill the rinse aid

The regularity of the dispenser needing to be refilled depends on how often dishes are washed and the rinse aid setting used.

- The Low Rinse Aid indicator ✱ will be lit when more rinse aid is needed.
- Do not overfill the rinse aid dispenser.

Function of detergent

The chemical ingredients that compose the detergent are necessary to remove, crush and dispense all dirt out of the dishwasher. Most of the commercial quality detergents are suitable for this purpose.



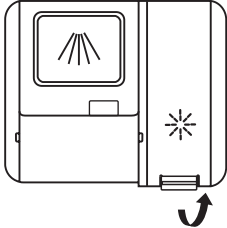
Warning

Proper Use of Detergent

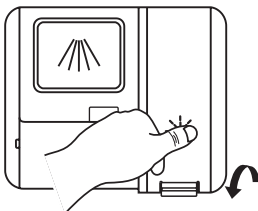
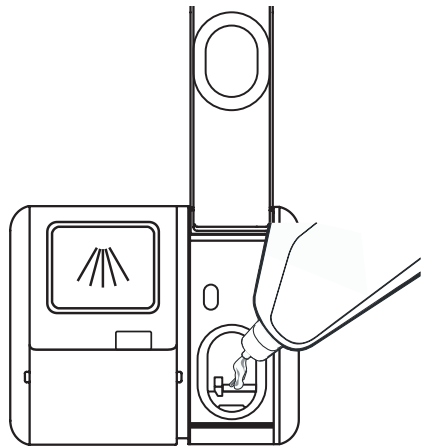
Use only detergent specifically made for dishwashers use. Keep your detergent fresh and dry. Don't put powdered detergent into the dispenser until you are ready to wash dishes. Dishwasher detergent is corrosive! Keep dishwasher detergent out of the reach of children. Check that there are no detergent residues after completion of the wash cycle.

Filling The Rinse Aid Reservoir

1. Remove the rinse reservoir cap by lifting up the handle .



2. Pour the rinse aid into the dispenser, being careful not to overfill.



3. Close the cap after all.

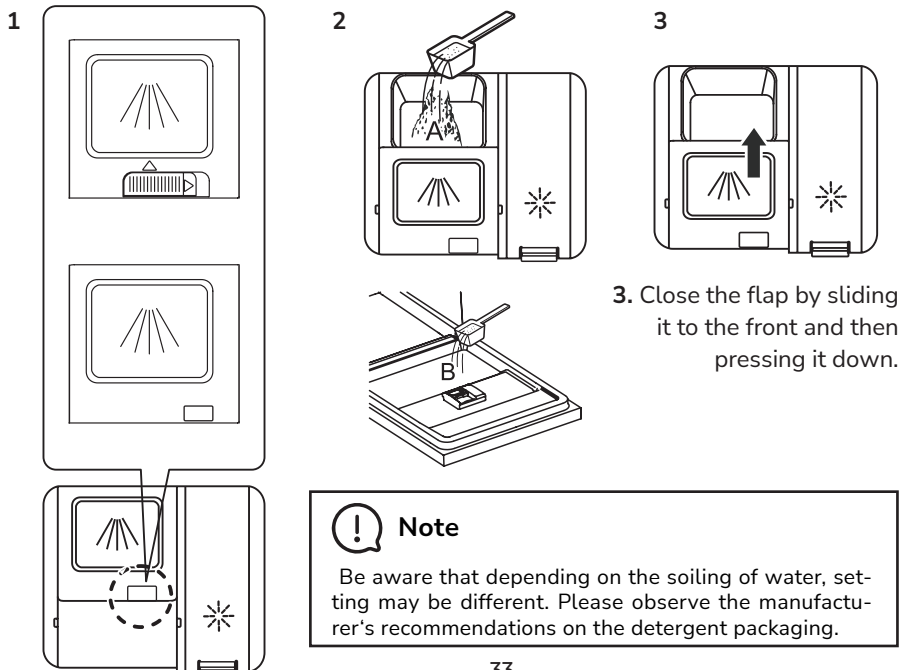
Adjusting the rinse aid reservoir

To achieve a better drying performance with limited rinse aid, the dishwasher is designed to adjust the consumption by user. Follow the below steps.

1. Open the door and power on the dishwasher by plugging in;
2. Within **60 seconds** after **step 1**, press the Program button more than **5 seconds**, and then press the Delay Button to enter the set model, the rinse aid indication blinks as **1Hz** frequency.
3. Press the Program button to select the proper set according to your using habits, the sets will change in the following sequence: **d1->d2->d3->d4->d5->d1**, Dispenser drops more rinse aid in **D5** level than in another, the manufactory setting is **D3**.
4. Without operation in **5 seconds** or press the power button to exit the set model, the set success.

Filling The Detergent Dispenser

1. Please choose an open way according to the actual situation.
 - Open the cap by sliding the release catch.
 - Open the cap by pressing down the release catch.
2. Add detergent into the larger cavity **A** for the main wash cycle. For better cleaning result, especially if you have very dirt items, pour a small amount of detergent onto the door. The additional detergent will activate during the pre-wash phase.










Programming the dishwasher

The tablet below show which programs are best for the levels of food residue on them and how much detergent is needed. It also show various information about the programs.

● Means: need to fill rinse into the Rinse-Aid Dispenser.

○ Means: no rinse needed.








MDW 451

Program	Description Of Cycle	Detergent Pre/Main	Running Time (min)	Energy (kWh)	Water (L)	Rinse Aid
	Pre-wash (45 °C) Wash (45–55 °C) Rinse (65 °C) Drying	3/22 g 1 piece	150	0.9–1.3	9.5–13	●
	Pre-wash (50 °C) Wash (60 °C) Rinse (70 °C) Drying	3/22 g 1 piece	170	1.4	15.5	●
	Pre-wash (45 °C) Wash (55 °C) Rinse (65 °C) Drying	3/22 g 1 piece	180	1.1	12	●
* ECO	Wash (45 °C) Rinse (55 °C) Drying	3/22 g 1 piece	195	0.74	8	●
	Pre-wash Wash (40 °C) Rinse (60 °C) Drying	3/22 g 1 piece	125	0.75	12	●
	Wash (65 °C) Rinse (65 °C) Drying	25 g 1 piece	90	1.15	11.5	●
	Wash (45 °C) Rinse (50 °C) Rinse (55 °C)	20 g	30	0.7	10	○
	Pre-wash		15	0.02	3.5	○

*  **Note**

This program is the test cycle. The information for comparability test in accordance with EN50242.

MDW 452








Program	Description Of Cycle	Detergent Pre/Main	Running Time (min)	Energy (kWh)	Water (L)	Rinse Aid
	Pre-wash (45 °C) Wash (55–65 °C) Rinse (50–55 °C) Drying	5/20 g 1 piece	85–150	0.615– 1.201	9.2–13.9	●
	Pre-wash (50 °C) Wash (65 °C) Rinse (60 °C) Drying	5/20 g 1 piece	205	1.129	14.1	●
	Pre-wash (45 °C) Wash (55 °C) Rinse (60 °C) Drying	5/20 g 1 piece	175	0.930	13.9	●
* ECO	Wash (50 °C) Rinse (45 °C) Drying	25 g 1 piece	198	0.658	8,5	●
	Pre-wash (40 °C) Wash (50 °C) Rinse (50 °C) Drying	5/20 g 1 piece	120	0.671	11.3	●
	Wash (55 °C) Rinse (50 °C) Drying	25 g 1 piece	90	0.620	8.4	●
	Wash (40 °C) Rinse (40 °C) Rinse (55 °C)	15 g	30	0.583	10	○
	Pre-wash		15	0.018	3.6	○

 **Note**








This program is the test cycle. The information for comparability test in accordance with EN50242.

Programming the dishwasher








MDW 453

Program	Description Of Cycle	Detergent Pre/Main	Running Time (min)	Energy (kWh)	Water (L)	Rinse Aid
	Pre-wash (45 °C) Wash (45–55 °C) Rinse (60 °C) Drying	5/20 g 1 piece	80–150	0.790– 1.510	9.8–13.1	●
	Pre-wash (50 °C) Wash (65 °C) Rinse (60 °C) Drying	5/20 g 1 piece	205	1.01	14.7	●
	Pre-wash (45 °C) Wash (55 °C) Rinse (55 °C) Drying	5/20 g 1 piece	175	0.920	11.1	●
*ECO	Wash (50 °C) Rinse (45 °C) Drying	5/20 g 1 piece	208	0.608	8.0	●
	Pre-wash Wash (50 °C) Rinse (50 °C) Drying	5/20 g 1 piece	120	0.91	11.2	●
	Wash (60 °C) Rinse (50 °C) Drying	25 g 1 piece	90	1.120	9.6	●
	Wash (45 °C) Rinse (45 °C)	15 g 1 piece	30	0.810	9.9	○
	Pre-wash		15	0.02	3.6	○

MDW 601

Program	Description Of Cycle	Detergent Pre/Main	Running Time (min)	Energy (kWh)	Water (L)	Rinse Aid
	Pre-wash (45 °C) Wash (45–55 °C) Rinse (65 °C) Drying	5/30 g 1 piece	150	0.9–1.3	11–15	●
	Pre-wash (50 °C) Wash (60 °C) Rinse (70 °C) Drying	5/30 g 1 piece	175	1.6	17.5	●
	Pre-wash (45 °C) Wash (55 °C) Rinse (65 °C) Drying	5/30 g 1 piece	185	1.3	13.5	●
* ECO	Pre-wash Wash (55 °C) Rinse (55 °C) Drying	5/30 g 1 piece	210	0.93	10	●
	Pre-wash Wash (40 °C) Rinse (60 °C) Drying	5/30 g 1 piece	130	1.3	13	●
	Wash (65 °C) Rinse (65 °C) Drying	35 g 1 piece	90	1.35	12.5	●
	Wash (45 °C) Rinse (50 °C) Rinse (55 °C)	25 g	30	0.75	11	○
	Pre-wash		15	0.02	4	○








MDW 602

Program	Description Of Cycle	Detergent Pre/Main	Running Time (min)	Energy (kWh)	Water (L)	Rinse Aid
	Pre-wash (45 °C) Wash (55–65 °C) Rinse (50–55 °C) Drying	5/32.5 g 1 piece	85–150	1.050– 1.551	10.6– 15.9	●
	Pre-wash (50 °C) Wash (65 °C) Rinse (60 °C) Drying	5/32.5 g 1 piece	205	1.651	16.5	●
	Pre-wash (45 °C) Wash (55 °C) Rinse(60 °C) Drying	5/32.5 g 1 piece	175	1.451	16.5	●
* ECO	Wash (50 °C) Rinse (50 °C) Drying	37.5 g 1 piece	210	0.847	10	●
	Pre-wash (40 °C) Wash (50 °C) Rinse (50 °C) Drying	5/32.5 g 1 piece	120	0.902	13.5	●
	Wash (55 °C) Rinse(50 °C) Drying	37.5 g 1 piece	90	0.891	10,3	●
	Wash (40 °C) Rinse (40 °C) Rinse (55 °C)	15 g	30	0.781	11	○
	Pre-wash		15	0.02	4	○

*  **Note**

This program is the test cycle. The information for comparability test in accordance with EN50242.

MDW 603

Program	Description Of Cycle	Detergent Pre/Main	Running Time (min)	Energy (kWh)	Water (L)	Rinse Aid
	Pre-wash (45 °C) Wash (55–65 °C) Rinse (50–55 °C) Drying	5/30 g 1 piece	90–180	0.850– 1.150	8.5–18.0	●
	Pre-wash (50 °C) Wash (65 °C) Rinse (60 °C) Drying	5/30 g 1 piece	205	1.5	16.6	●
	Pre-wash (45 °C) Мойка (55 °C) Rinse (55 °C) Drying	5/30 g 1 piece	175	0.980	13.6	●
* ECO	Pre-wash Wash (50°C) Rinse (50 °C) Drying	5/30 g 1 piece	198	0.765	9.8	●
	Pre-wash Wash (50 °C) Rinse (50 °C) Drying	5/30 g 1 piece	120	0.950	13.5	●
	Wash (60 °C) Rinse (50 °C) Drying	35 g 1 piece	90	1.180	12.5	●
	Wash (45 °C) Rinse (45 °C)	20 g	30	0.82	11.2	○
	Pre-wash		15		4.1	○

 **Note**

This program is the test cycle. The information for comparability test in accordance with EN50242.

Starting A Cycle Wash

1. Draw out the lower and upper basket, load the dishes and push them back. It is commended to load the lower basket first, then the upper one.

2. Pour in the detergent.

3. Insert the plug into the socket. The power supply can be found in Technical Specifications. Make sure that the water supply is turned on to full pressure.

4. Open the door, press the Power button, to switch on the machine.

5. Choose a program, the response light will turn on. Then close the door, the dishwasher will start its cycle.

Models MDW 453/603 have Beam-on-Floor function. It means a light is displayed on the floor below the appliance door. When a programme starts, the light turns on and then stays on until the end of the programme.

Changing The Program Mid-cycle

A wash cycle can only be changed if it has been running for a short time otherwise, the detergent may have already been released and the dishwasher may have already drained the wash water. If this is the case, the dishwasher needs to be reset and the detergent dispenser must be refilled. To reset the dishwasher, follow the instructions below:

1. Open the door a little to stop the dishwasher, after the spray arm stop working, you can open the door completely.

2. Press Program button more than three seconds to cancel the running program,

3. You can change the program to the desired cycle setting. the machine will be in stand-by state.

Forgot To Add A Dish?

A forgotten dish can be added any time before the detergent dispenser opens. If this is the case, follow the instructions below:

1. Open the door a little to stop the washing.

2. After the spray arms stop working, you can open the door completely.

3. Add the forgotten dishes.

4. Close the door.

5. The dishwasher will start running again.



Warning

It is dangerous to open the door mid-cycle, as hot steam may scald you.

MDW 452/453/602/603: After washing, the door will open automatically to achieve better drying effect. The dishwasher door must not be blocked when set to open automatically. This can disrupt door lock functionality.

Error codes

If there is a malfunction, the dishwasher will display error codes to identify these:

Codes	Meanings	Possible Causes
E1	Longer inlet time	Faucets is not opened, or water intake is restricted, or water pressure is too low
E3	Not reaching required temperature	Malfunction of heating element
E4	Overflow	Some element of dishwasher leaks
E8	Failure of orientation of distributary valve	Open circuit or break of distributary valve
Ec	Washing control system fail	PCB or motor fail
E9	A button is pressed for more than 30 seconds	Water or something on the button
Ed	Failure of communication between main PCB with display PCB	Open circuit or break wiring for the communication

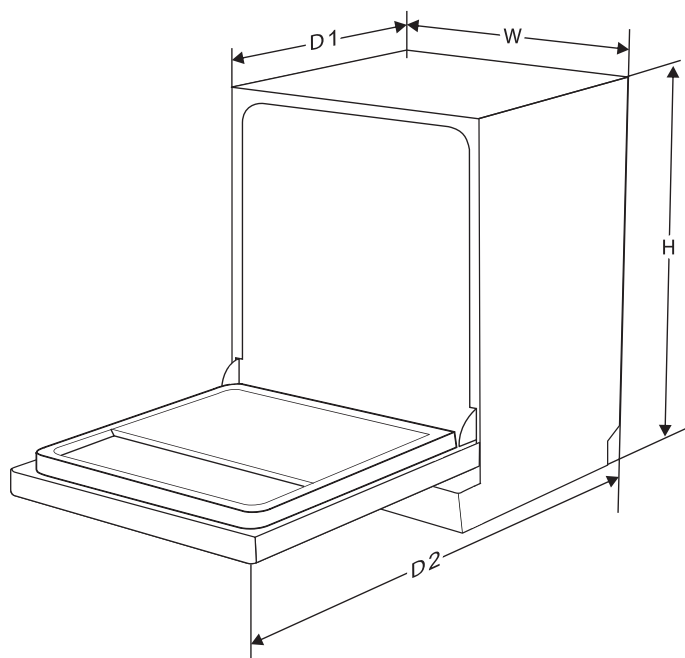


Warning

If overflow occurs, turn off the main water supply before calling a service. If there is water in the base pan because of an overfill or small leak, the water should be removed before restarting the dishwasher. If there is an error code that cannot be solved, please request professional assistance.

Technical information

Model	MDW 451 MDW 452 MDW 453	MDW 601 MDW 602 MDW 603
Height (H)	815 mm	815 mm
Width (W)	448 mm	598 mm
Depth (D1) with the door closed	550 mm	550 mm
Depth (D2) with the door opened 90°	1150 mm	1150 mm



Technical Specifications

Sheet of household dishwasher according to EU Directive 1016/2010 & 1059/2010.

Model	MDW 451	MDW 452	MDW 453
Type/Description	Dishwasher	Dishwasher	Dishwasher
Standard place settings	10	10	10
Energy efficiency class	A++	A+++	A+++
Annual energy consumption*	211 kWh	188 kWh	174 kWh
Energy consumption of the standard cleaning cycle**	0.74 kWh	0.658 kWh	0.608 kWh
Power consumption of left-on mode	0.49 kW	0.49 kW	0.49 kW
Power consumption of off-mode	0.45 W	0.45 W	0.45 W
Annual water consumption***	2,240 L	2,380 L	2,240 L
Drying efficiency class****	A	A	A
Standard cleaning cycle*****	ECO 45 °C	ECO 45 °C	ECO 50 °C
Program duration of the standard cleaning cycle	220 min	220 min	208 min
Noise level	49 dB(A) re 1 pW	47 dB(A) re 1 pW	42 dB(A) re 1 pW
Mounting	Built-in	Built-in	Built-in
Power consumption	1,760-2,100 W	1,760-2,100 W	1,760-2,100 W
Rated voltage/frequency	220-240V/50 Hz	220-240V/50 Hz	220-240V/50 Hz
Water pressure (flow pressure)	0.04-1.0 MPa = 0.4-10 bar	0.04-1.0 MPa = 0.4-10 bar	0.04-1.0 MPa = 0.4-10 bar

* A + + + (highest efficiency) to D (lowest efficiency).

** Energy consumption based on 280 standard cleaning cycles using cold water fill and the consumption of the low power modes. Actual energy consumption will depend on how the appliance is used.

*** Water consumption based on 280 standard cleaning cycles. Actual water consumption will depend on how the appliance is used.

**** A (highest efficiency) to G (lowest efficiency).

*****This program is suitable for cleaning soiled normally soiled tableware and that it is the most efficient program in terms of its combined energy and water consumption for that type of tableware.

Model	MDW 601	MDW 602
Type/Description	Dishwasher	Dishwasher
Standard place settings	14	15
Energy efficiency class	A++	A+++
Annual energy consumption*	266 kWh	241 kWh
Energy consumption of the standard cleaning cycle**	0.93 kWh	0.847 kWh
Power consumption of left-on mode	0.49 kW	0.49 kW
Power consumption of off-mode	0.45 W	0.45 W
Annual water consumption***	2,800 L	2,800 L
Drying efficiency class****	A	A
Standard cleaning cycle*****	ECO 45 °C	ECO 50 °C
Program duration of the standard cleaning cycle	210 min	210 min
Noise level	49 dB(A) re 1 pW	47 dB(A) re 1 pW
Mounting	Built-in	Built-in
Power consumption	1,760-2,100 W	1,760-2,100 W
Rated voltage/frequency	220-240V/50Hz	220-240V/50 Hz
Water pressure (flow pressure)	0.04-1.0 MPa = 0.4-10 bar	0.04-1.0 MPa = 0.4-10 bar

* A + + + (highest efficiency) to D (lowest efficiency).

** Energy consumption based on 280 standard cleaning cycles using cold water fill and the consumption of the low power modes. Actual energy consumption will depend on how the appliance is used.

*** Water consumption based on 280 standard cleaning cycles. Actual water consumption will depend on how the appliance is used.

**** A (highest efficiency) to G (lowest efficiency).

***** This program is suitable for cleaning soiled normally soiled tableware and that it is the most efficient program in terms of its combined energy and water consumption for that type of tableware.

Model	MDW 603
Type/Description	Dishwasher
Standard place settings	14
Energy efficiency class	A+++
Annual energy consumption*	218 kWh
Energy consumption of the standard cleaning cycle**	0.765 kWh
Power consumption of left-on mode	0.49 kW
Power consumption of off-mode	0.45 W
Annual water consumption***	2,744 L
Drying efficiency class****	A
Standard cleaning cycle*****	ECO 50 °C
Program duration of the standard cleaning cycle	198 min
Noise level	42 dB(A) re 1 pW
Mounting	Built-in
Power consumption	1,760-2,100 W
Rated voltage/frequency	220-240V/50 Hz
Water pressure (flow pressure)	0.04-1.0 MPa = 0.4-10 bar

* A + + + (highest efficiency) to D (lowest efficiency).

** Energy consumption based on 280 standard cleaning cycles using cold water fill and the consumption of the low power modes. Actual energy consumption will depend on how the appliance is used.

*** Water consumption based on 280 standard cleaning cycles. Actual water consumption will depend on how the appliance is used.

**** A (highest efficiency) to G (lowest efficiency).

*****This program is suitable for cleaning soiled normally soiled tableware and that it is the most efficient program in terms of its combined energy and water consumption for that type of tableware.

Введение.....	48
Информация по технике безопасности.....	50
Обзор посудомоечной машины.....	53
Этапы установки посудомоечной машины.....	57
Подключение к водоснабжению и слив.....	58
Подключение к электросети.....	60
Установка и регулировка машины.....	60
Смягчитель воды и регулировка потребления соли.....	65
Регулировка корзин и полок в посудомоечной машине.....	67
Загрузка корзин посудомоечной машины.....	70
Панель управления.....	74
Программы посудомоечной машины.....	77
Подготовка и загрузка посуды.....	83
Моющее средство.....	85
Ополаскиватель.....	86
Программирование посудомоечной машины.....	87
Очистка и уход.....	89
Советы по устранению неисправностей.....	93
Коды ошибок.....	98
Информация по гарантии.....	99
Обслуживание и запасные детали.....	100
Программа сервисного обслуживания ELEXIR.....	101
Правила утилизации.....	102

Уважаемый покупатель!

Благодарим Вас за приобретение продукции **MILLEN**. Мы уверены, что посудомоечная машина оправдает Ваши ожидания и станет прекрасным помощником на Вашей кухне. Для правильного и безопасного использования изделия, пожалуйста, ознакомьтесь со всеми пунктами данного руководства по эксплуатации. Просим Вас сохранять его на весь срок службы посудомоечной машины. В начале приведен раздел с некоторыми важными условиями безопасной работы. В руководстве даны полезные советы по уходу и чистке изделия.

Данное изделие сертифицировано в соответствии с действующим техническим регламентом.

Производитель оставляет за собой право вносить изменения в конструкцию и комплектацию изделия без предварительного уведомления для улучшения характеристик продукции, поэтому рисунки и обозначения, приведенные далее, могут несколько отличаться от приобретенной Вами модели.

Гарантия — 3 года.

Подробная информация указана в гарантийном талоне внутри упаковки.

Срок эксплуатации — 7 лет.

Уважаемый покупатель, при возникновении любых вопросов, связанных с покупкой, эксплуатацией и обслуживанием техники **MILLEN**, Вы можете проконсультироваться по телефону с сервисной службой: **8 800 77-55-44-7**.



Внимание

Перед использованием встраиваемой посудомоечной машины просим Вас внимательно ознакомиться с руководством по эксплуатации и сохранить его для дальнейшего использования.

В случае утери данного руководства по эксплуатации получить новое можно на официальном сайте.

При покупке снимите упаковку и убедитесь, что изделие не повреждено, полностью укомплектовано и торговой организацией правильно заполнен гарантийный талон.

Сразу после получения проконтролируйте состояние упаковки и посудомоечной машины на наличие транспортных повреждений. Не включайте поврежденную посудомоечную машину, а свяжитесь с фирмой-поставщиком.

Убедитесь, что параметры электрической сети соответствуют указанным в руководстве по эксплуатации и на наклейке с технической информацией на изделии. При выявлении несоответствия необходимо провести доработку электрической сети и монтаж розетки. Электромонтажные работы должен выполнить специалист, имеющий право на их проведение.

Убедитесь, что система заземления в домашней электропроводке установлена согласно предписаниям. Данная техника оснащена вилкой для заземления. Чтобы заземлить устройство, необходимо подключить вилку к розетке в соответствии со всеми местными нормами и правилами. В случае неисправности или поломки заземление снижает риск поражения электрическим током, обеспечив путь наименьшего сопротивления электрического тока.

Неправильное подключение провода заземления может привести к поражению электрическим током. Если есть сомнения в правильности заземления устройства, следует обратиться к квалифицированному электрику или представителю сервисной службы.

Не допускается менять вилку, прилагаемую к устройству, если она не подходит к розетке. Необходимо убедиться, что квалифицированный специалист установил надлежащую розетку.

Сохраните руководство, оно поможет разрешить возникшие вопросы. Изготовитель (продавец) не несет ответственности (в том числе и в гарантийный период) за дефекты и повреждения изделия, возникшие вследствие нарушения указаний по его хранению, установке, подключению, условий эксплуатации либо действия непреодолимой силы (пожара, наводнения и т. п.), домашних животных, насекомых, грызунов, а также за последствия, вызванные неквалифицированным ремонтом.

Прежде чем приступить к эксплуатации, внимательно прочтите настоящее руководство! В нем содержится важная информация по установке, использованию и техническому обслуживанию. Сохраните всю документацию для дальнейшего использования или для передачи ее следующему владельцу.

Утилизируйте упаковочный материал надлежащим образом.

Не позволяйте детям играть с упаковкой и ее частями. Складные коробки и упаковочные пленки представляют опасность удушья.

Информация по технике безопасности

1. Посудомоечная машина предназначена для использования в домашнем хозяйстве, а также для других аналогичных случаев бытового применения, например:

- Персоналом кухонных зон в магазинах, офисах и др.
- В рабочих помещениях.
- Клиентами гостиниц, отелей и других жилых помещений для кухонного модуля типа «размещение и завтрак».

2. Посудомоечная машина может использоваться детьми с 8 лет, а также лицами с ограниченными физическими, сенсорными, умственными способностями или без достаточных знаний и опыта, если они были проинструктированы относительно безопасного использования устройства и понимают связанные с его эксплуатацией опасности (в соответствии с IEC 60335-1).

3. Дети не должны играть с устройством.

4. Упаковочный материал может быть опасен для детей!

5. Не следует погружать устройство, шнур или вилку в воду или другую жидкость, чтобы избежать поражения электрическим током.

6. Чистка и техническое обслуживание не должны производиться детьми без присмотра.

7. Перед очисткой и проведением технического обслуживания посудомоечной машины нужно выключить ее и вынуть вилку из розетки или отключить предохранитель, перекрыть подачу воды.

8. Для очистки следует использовать мягкую ткань, смоченную в мыльном растворе, а затем протереть устройство сухой тканью.

9. Нельзя ставить тяжелые предметы, опираться, садиться на открытую дверцу, т. к. устройство может опрокинуться.

10. Нельзя ставить тяжелые предметы, опираться или садиться на корзину для посуды или лоток для приборов посудомоечной машины.

11. Не используйте посудомоечную машину, если не все панели корпуса установлены должным образом.

12. Во время работы устройства открывать дверцу следует очень осторожно, чтобы избежать пролива воды или ошпаривания.

13. Острые предметы нужно загружать в посудомоечную машину лезвиями/остриями вниз или размещать их в горизонтальном положении таким образом, чтобы они не повредили уплотнительные прокладки дверцы.

14. Некоторые моющие средства для посудомоечной машины являются сильными щелочами и при проглатывании могут быть чрезвычайно опасны для организма. Храните бытовую химию в недоступном для детей месте.

15. Следует избегать контакта моющих средств с кожей и глазами.

16. Выполняйте указания по технике безопасности и правильному использованию, приведенные на упаковках моющих средств и ополаскивателей.

17. После завершения цикла мойки необходимо убедиться в том, что отсек с моющим средством пуст.

18. Не следует мыть в устройстве изделия из пластика, если на них отсутствует значок, разрешающий использование посудомоечной машины. Если его нет, изучите символы с обозначением материала, из которого изготовлена пластиковая посуда. В посудомоечной машине можно мыть только изделия из пищевого полипропилена (PP) или полиэтилентерефталата (PET). Категорически нельзя мыть в данном устройстве тару из полистирола (PS) или ПВХ (PVC). При нагревании она плавится и выделяет ядовитые вещества.

19. Прежде чем использовать посудомоечную машину для мытья немаркированных пластиковых предметов, необходимо ознакомиться с рекомендациями их производителя.

20. Нужно использовать только моющие и ополаскивающие средства, подходящие для автоматической посудомоечной машины.

21. Не допускается использование мыла, стирального порошка или средств, предназначенных для мытья рук.

22. Во избежание травм не следует оставлять дверцу устройства открытой.

23. Во избежание травм/короткого замыкания замену поврежденного сетевого кабеля должен выполнять изготовитель или специалист сервисного центра.

24. Во время установки устройства кабель не должен быть чрезмерно изогнут или сжат.

25. Нельзя самостоятельно вскрывать и ремонтировать блок управления устройства. Любые ремонтные работы и другие операции по техническому обслуживанию должны проводить только квалифицированные специалисты.

26. Подключение к водопроводной сети должно производиться с помощью новых шлангов. Повторное использование старых недопустимо.

27. Для экономии электроэнергии устройство, находящееся в режиме ожидания, автоматически выключится, если в течение 15 минут не наблюдается никакой активности.

28. Условия подключения к электросети должны соответствовать данным на заводской табличке посудомоечной машины.

29. Если кабель посудомоечной машины поврежден, то его нужно заменить на идентичный.

30. Во избежание опасных ситуаций кабель следует приобретать только через сервисную службу.

31. Чтобы обеспечить безопасность работы техники, необходимо соблюдать требования, приведенные в разделе по установке посудомоечной машины.

32. Не устанавливайте прибор вблизи источников тепла (радиаторов отопления, теплоаккумуляторов, печей и прочей похожей техники), в том числе под варочной панелью или микроволновой печью.

33. Розетка должна располагаться так, чтобы на нее не могла попасть вода.

34. После установки посудомоечной машины штепсельная вилка должна оставаться хорошо доступной.

35. При наличии повреждений, особенно на панели управления или дверце, дальнейшая эксплуатация изделия запрещена. Извлеките штепсельную вилку из розетки или выключите предохранитель. Закройте водопроводный кран и обратитесь в сервисную службу.

36. Перед первым включением обязательно убедитесь, что в посудомоечной машине отсутствуют посторонние предметы, такие как элементы упаковки и т. д.

Опасность взрыва! Никогда не используйте в посудомоечной машине растворители: они могут привести к взрыву.

Опасность ошпаривания! Во время мойки дверцу следует открывать осторожно: горячая вода может выплеснуться из прибора.

Опасности для детей! Не разрешайте детям играть с прибором. Они могут закрыться внутри и задохнуться или попасть в иную опасную ситуацию. Держите моющее средство и ополаскиватель в недоступном для детей месте. Они могут привести к химическим ожогам полости рта, глотки и глаз или к удушью. Не подпускайте детей близко к открытой посудомоечной машине. В посудомоечной машине могут находиться мелкие предметы, которые дети могут проглотить. Вода внутри машины не предназначена для питья, она может содержать остатки моющего средства.

37. Монтаж и ремонт посудомоечной машины может выполнять только квалифицированный специалист.



Примечание

Изучение раздела, посвященного советам по устранению неисправностей, поможет самостоятельно устранить некоторые распространенные неполадки. Если самостоятельно этого сделать не получается, следует обратиться за помощью к специалисту или в сервисный центр.

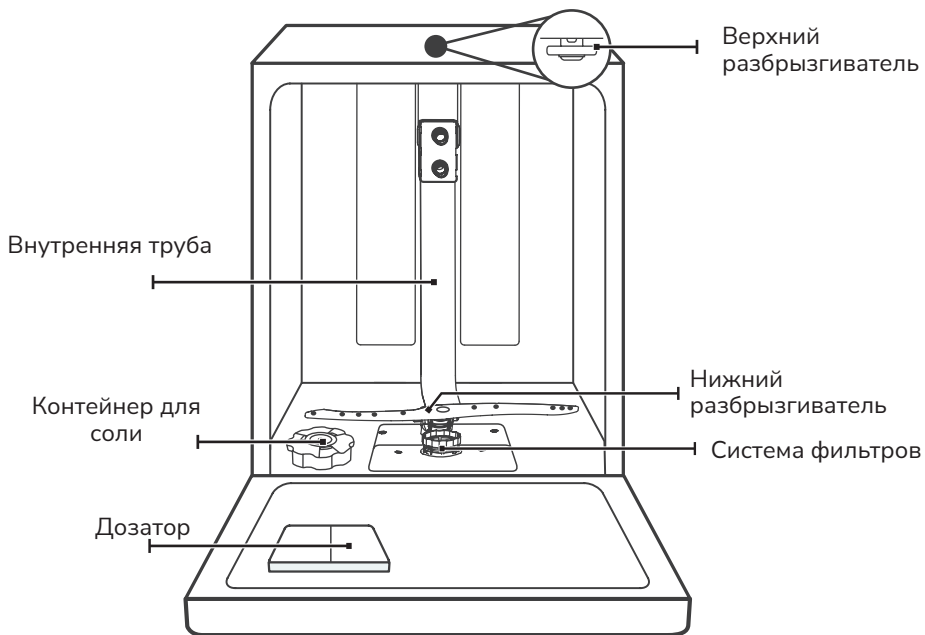


Внимание

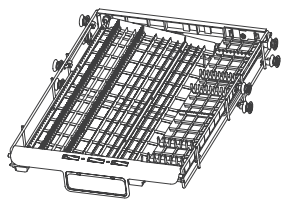
Во избежание поломки перед подключением техники в холодное время необходимо выдержать ее в распакованном виде при комнатной температуре не менее 2 часов.

Обзор посудомоечной машины

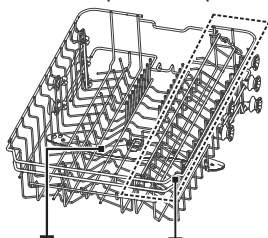
Изображения устройства приведены для справки, разные модели могут отличаться.



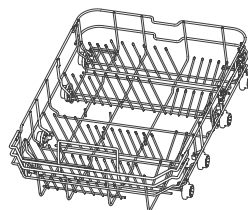
Верхняя корзина



Полка для столовых приборов



Верхний распылитель
Подставка для чашек



Нижняя корзина

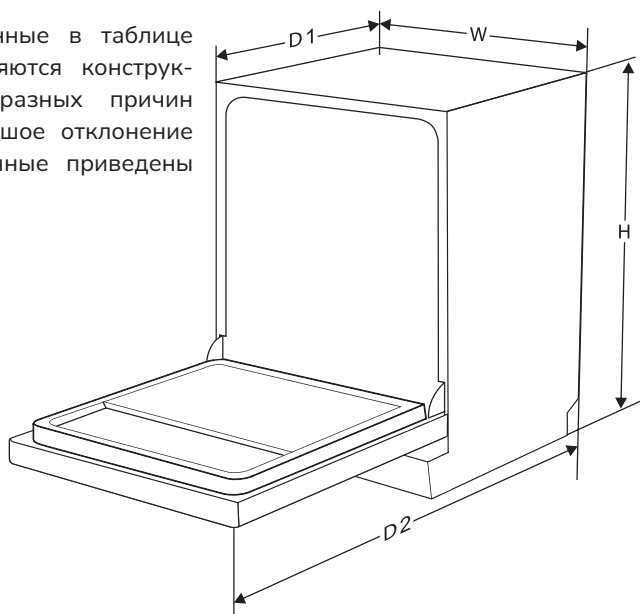
Комплектация

- Посудомоечная машина
- Корзины
- Подводящий и сливной шланги (подсоединены)
- Крепежные элементы
- Кронштейн для крепления сливного шланга
- Крепление для декоративной панели
- Воронка для соли
- Гарантийный талон

Таблица размеров

Модель	MDW 451 MDW 452 MDW 453	MDW 601 MDW 602 MDW 603
Высота (H)	815 мм	815 мм
Ширина (W)	448 мм	598 мм
Глубина при закрытой дверце (D1)	550 мм	550 мм
Глубина при открытой на 90° дверце (D2)	1150 мм	1150 мм

Размеры, приведенные в таблице и на рисунках, являются конструктивными. В силу разных причин возможно их небольшое отклонение от фактических. Данные приведены только для справки.



Технические характеристики

Максимально допустимое давление воды на входе составляет 1 МПа.
 Минимально допустимое давление воды на входе составляет 0,04 МПа.



Примечание

Существует несколько классов потребления ресурсов для электроприборов, класс А+++ означает наибольшую эффективность, D — наименьшую. Расход энергии и воды основан на 280 стандартных циклах мытья в режимах низкой мощности с использованием холодной воды. Фактическое потребление будет зависеть от того, как используется посудомоечная машина.

Модель	MDW 451	MDW 452	MDW 453
Кол-во комплектов посуды	10	10	10
Отложенный старт	1–24 часа	1–24 часа	1–24 часа
Защита от протечек	AquaStop	AquaStop	AquaStop
Класс энергоэффективности	A++	A+++	A+++
Потребление энергии за год	211 кВт	188 кВт	174 кВт
Потребление энергии за стандартный цикл мойки	0,74 кВт	0,658 кВт	0,608 кВт
Потребляемая мощность во время работы	0,49 кВт	0,49 кВт	0,49 кВт
Потребляемая мощность в режиме ожидания	0,45 Вт	0,45 Вт	0,45 Вт
Потребление воды за год	2240 л	2380 л	2380 л
Класс мытья/сушки	A++/A	A+++/A	A++/A
Стандартный цикл мойки и температура	Эко, 45 °С	Эко, 50 °С	Эко, 50 °С
Длительность стандартного цикла мойки	195 мин	198 мин	208 мин
Потребление воды за цикл	8 л	8,5 л	8,5 л
Уровень шума	49 дБ(А) на 1 Вт	49 дБ(А) на 1 Вт	42 дБ(А) на 1 Вт
Тип установки	Встраивание	Встраивание	Встраивание
Потребляемая мощность	1760–2100 Вт	1760–2100 Вт	1760–2100 Вт
Номинальное напряжение	220–240 В	220–240 В	220–240 В

Обзор посудомоечной машины

Модель	MDW 451	MDW 452	MDW 453
Частота сети	50 Гц	50 Гц	50 Гц
Размеры прибора, мм	448 × 550 × 815	448 × 550 × 815	448 × 550 × 815
Размеры для встраивания, мм	450 × 560 × 820	450 × 560 × 820	450 × 560 × 820
Размеры упаковки, мм	884 × 480 × 635	884 × 480 × 635	884 × 480 × 635
Вес нетто/брутто	37 кг/42 кг	37 кг/42 кг	37 кг/42 кг
Страна производства	Китай	Китай	Китай

Модель	MDW 601	MDW 602	MDW 603
Кол-во комплектов посуды	14	15	14
Отложенный старт	1–24 часа	1–24 часа	1–24 часа
Защита от протечек	AquaStop	AquaStop	AquaStop
Класс энергоэффективности	A++	A+++	A+++
Потребление энергии за год	266 кВт	241 кВт	218 кВт
Потребление энергии за стандартный цикл мойки	0,93 кВт	0,847 кВт	0,765 кВт
Потребляемая мощность во время работы	0,49 кВт	0,49 кВт	0,49 кВт
Потребляемая мощность в режиме ожидания	0,45 Вт	0,45 Вт	0,45 Вт
Потребление воды за год	2800 л	2800 л	2744 л
Класс мытья/сушки	A++/A	A+++/A	A+++/A
Стандартный цикл мойки и температура	Эко, 50 °С	Эко, 50 °С	Эко, 50 °С
Длительность стандартного цикла мойки	210 мин	210 мин	198 мин
Потребление воды за цикл	10 л	10 л	9,8 л
Уровень шума	49 дБ(А) на 1 Вт	47 дБ(А) на 1 Вт	42 дБ(А) на 1 Вт
Тип установки	Встраивание	Встраивание	Встраивание
Потребляемая мощность	1760–2100 Вт	1760–2100 Вт	1760–2100 Вт

Модель	MDW 601	MDW 602	MDW 603
Номинальное напряжение	220–240 В	220–240 В	220–240 В
Частота	50 Гц	50 Гц	50 Гц
Размеры прибора, мм	598 × 550 × 815	598 × 550 × 815	598 × 550 × 815
Размеры для встраивания, мм	600 × 560 × 820	600 × 560 × 820	600 × 560 × 820
Размеры упаковки, мм	890 × 645 × 645	890 × 645 × 645	890 × 645 × 645
Вес нетто/брутто	45,5 кг/52 кг	45,5 кг/52 кг	45,5 кг/52 кг
Страна производства	Китай	Китай	Китай

Этапы установки посудомоечной машины



Внимание

Все этапы установки необходимо согласовывать с монтажными чертежами.

1. При необходимости прикрепите парозащиту на клеевой основе под рабочей поверхностью. Убедитесь, что она находится на одном уровне с краем рабочей поверхности.

2. Подсоедините впускной шланг к системе подачи холодной воды.

3. Подсоедините сливной шланг.

4. Подсоедините шнур питания.

5. Установите посудомоечную машину на место.

6. Выровняйте ее. Заднюю часть можно регулировать поворотом винта в середине передней части основания посудомоечной машины. Чтобы отрегулировать передние ножки, используйте плоскую отвертку и поворачивайте их до тех пор, пока посудомоечная машина не выровняется.

7. Установите мебельную дверцу на дверцу посудомоечной машины.

8. Отрегулируйте натяжение дверных пружин с помощью шестигранного ключа, поворачивая его по часовой стрелке, чтобы затянуть левую и правую дверные пружины. Несоблюдение этого требования может привести к повреждению посудомоечной машины.

9. Посудомоечная машина должна быть надежно закреплена на месте. Это можно сделать двумя способами:

А. Для обычной рабочей поверхности вставьте установочный крюк в прорезь боковой плоскости и закрепите его на рабочей поверхности шурупами.

В. Для рабочей поверхности из мрамора или гранита закрепите боковую часть винтом.

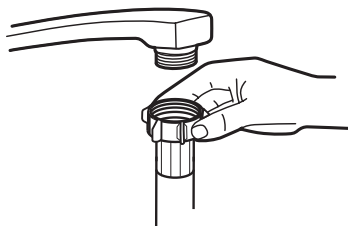
Подключение к водоснабжению и слив

Подключение холодной воды

1. Если водопроводные трубы новые или не использовались длительное время, нужно пропустить через них воду и убедиться, что она чистая. Эта мера предосторожности необходима для того, чтобы избежать блокировки подачи воды и повреждения устройства.

2. Подсоедините шланг подачи холодной воды к разьему **3/4 дюйма** с резьбой и убедитесь, что он плотно закреплен на месте.

Предохранительный шланг подачи воды имеет двойные стенки. Система шланга гарантирует безопасность его работы, блокируя поток воды, если произошел разрыв шланга или воздушное пространство между внутренним шлангом подачи и наружным гофрированным шлангом заполнено водой (система AquaStop).



Обычный шланг подачи воды



Система защиты от протечек AquaStop



Внимание

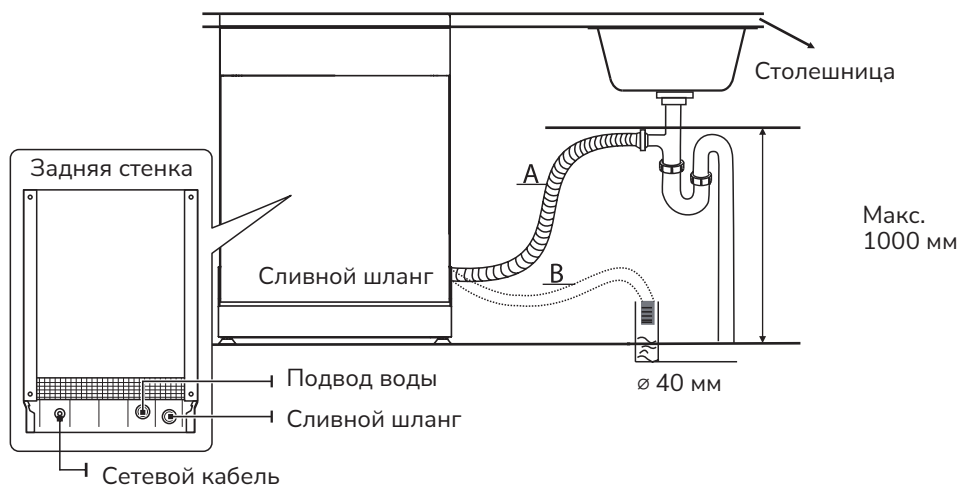
Шланг, который крепится к смесителю раковины, может лопнуть, если он установлен на той же водопроводной линии, что и посудомоечная машина. Если такой шланг есть в Вашей раковине, рекомендуется отсоединить его и заткнуть отверстие.

Подключение предохранительного шланга подачи воды включает следующие этапы:

1. Полностью вытянуть предохранительные шланги из отсека для хранения, расположенного на задней стенке посудомоечной машины.
2. Подсоединить предохранительный шланг подачи воды к крану с резьбой 3/4 дюйма и затянуть болты.
3. Перед запуском посудомоечной машины полностью включить воду.

Отключение предохранительного шланга подачи воды включает следующие этапы:

1. Выключить воду.
2. Отвинтить предохранительный шланг подачи воды от крана.



Подсоединение сливных шлангов

1. Вставьте сливной шланг в сливную трубу диаметром **не менее 4 см**. Высота (петля) трубы должна быть **не менее 40 см** и **не более 100 см** от уровня пола. Свободный конец шланга не должен погружаться в воду, чтобы избежать обратного потока. Шланг не должен быть пережат при установке машины. Обязательно подтягивайте свободный конец шланга в момент, когда Вы задвигаете машину в нишу! Соединитель сливного шланга должен иметь жесткую конструкцию

2. Надежно закрепить сливной шланг в положении **A** или **B**.

Слив лишней воды из шлангов

Если раковина расположена на высоте **более 1 м** или **менее 40 см** от пола, непосредственно в нее нельзя сливать излишки воды из шлангов. Необходимо слить их в подходящую по объему емкость, расположенную снаружи, ниже уровня раковины.

Шланг для слива воды нужно подсоединить надлежащим образом, чтобы избежать утечки воды. Убедитесь, что он не пережат и не раздавлен.

Если требуется удлинитель сливного шланга, следует использовать аналогичный сливной шланг.

Шланг должен быть **не длиннее 4 метров**, иначе эффективность очистки посудомоечной машины может быть снижена.

Соединение слива должно находиться на высоте **не менее 40 см** и **не более 100 см** от дна поддона. Шланг для слива воды должен быть закреплен надлежащим образом.

Подключение к электросети



Внимание

Опасность поражения электрическим током. Монтаж труб и электрооборудования должен выполнять профессионал.

1. Следует изучить таблицу с техническими данными, чтобы узнать номинальное напряжение и подключить посудомоечную машину к соответствующему источнику питания.
2. Следует использовать предохранитель **10/13/16 А**. Рекомендуется использовать предохранитель с временной задержкой или автоматический выключатель и обеспечить отдельную цепь, обслуживающую только это устройство.
3. Нужно убедиться, что напряжение и частота источника питания соответствуют значениям в таблице с техническими данными.
4. Вставлять вилку устройства можно только в ту электрическую розетку, которая заземлена надлежащим образом. Если электрическая розетка, к которой должна быть подключена посудомоечная машина, не соответствует вышеуказанным требованиям подключения, следует заменить розетку.
5. Недопустимо использовать адаптеры или аналогичные устройства, так как они могут привести к перегреву устройства и ожогам.
6. Ни при каких обстоятельствах не перерезайте и не отсоединяйте заземляющее соединение от кабеля питания.

Установка и регулировка машины

Установите посудомоечную машину в желаемом месте. Посудомоечная машина оснащена шлангами для подачи воды и слива, которые можно расположить справа или слева для облегчения правильной установки. Шланги и кабели не должны быть пережаты — предусмотрите для них отверстия в мебели.

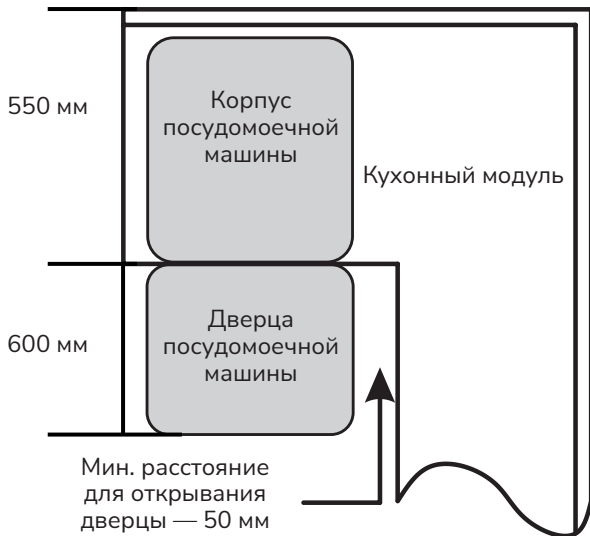
Обратите внимание на то, что свободный доступ к задней стороне посудомоечной машины после установки закрыт (защита от прикосновения к горячей поверхности).

Встраивание

Место установки посудомоечной машины должно находиться рядом с существующими шлангами подвода и слива воды, а также шнуром питания.

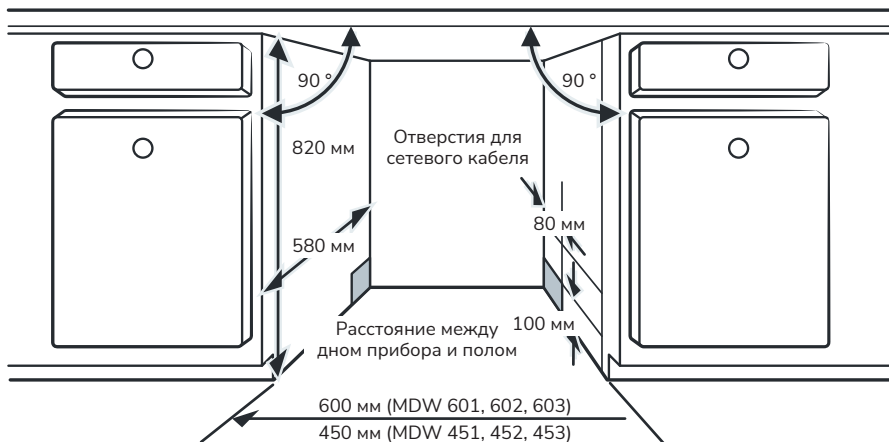
Расстояние между верхней частью посудомоечной машины и шкафом должно быть не менее 5 мм, а наружная дверь выровнена по корпусу.

Если посудомоечная машина устанавливается в углу кухни, то для открывания дверцы должно оставаться некоторое пространство (см. рисунок ниже).



Примечание

В зависимости от того, где находится электрическая розетка, может потребоваться вырезать отверстие на противоположной стороне шкафа.

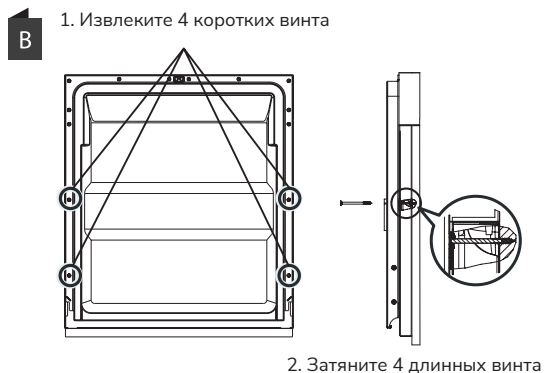
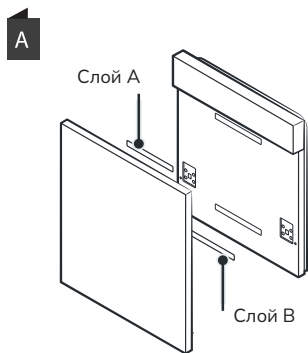


Установка декоративной панели на дверцу

В зависимости от исполнения возможно два варианта крепления декоративной панели.

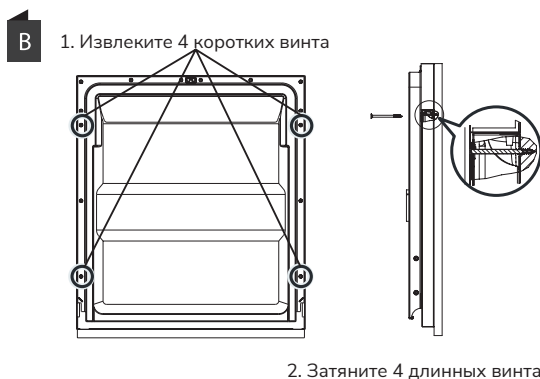
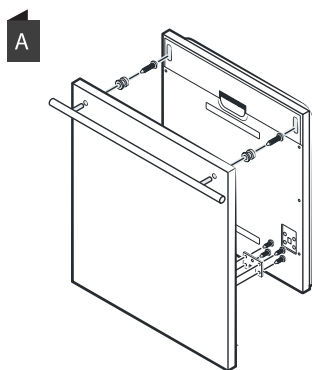
Вариант 1

Клейкие слои **A** и **B** должны быть разделены, слой **A** на декоративной панели и войлочный клейкий слой **B** на внешней стороне дверцы посудомоечной машины (см. рис. А). После установки панели закрепите ее на внешней стороне дверцы винтами (см. рис. В).



Вариант 2

Установите крючок на декоративную панель и вставьте его в прорезь снаружи дверцы посудомоечной машины (см. рис. А). После установки панели закрепите ее на внешней двери винтами и болтами (см. рис. В).

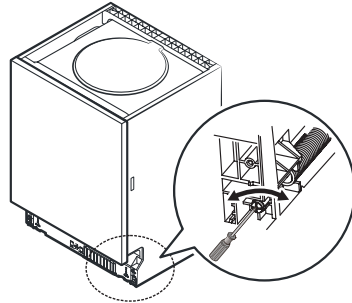


Регулировка натяжения дверной пружины

После размещения панели на посудомоечной машине попробуйте открыть и закрыть дверцу, чтобы проверить балансировку и убедиться в том, что дверца сохраняет свое положение. Если необходимо, выполните регулировку дверцы с помощью винта, поворачивая его по часовой стрелке или против нее. Пружины дверцы устанавливаются на заводе-изготовителе с соответствующим натяжением для наружной двери. Если установлена декоративная панель, натяжение следует отрегулировать.

Для этого нужно повернуть винт, который приводит регулятор в действие, натягивая или ослабляя стальной трос.

Правильным считается такое натяжение пружины, при котором дверца в полностью открытом положении параллельна полу, но при этом ее можно легко закрыть, подтолкнув пальцем вверх.



Выравнивание посудомоечной машины

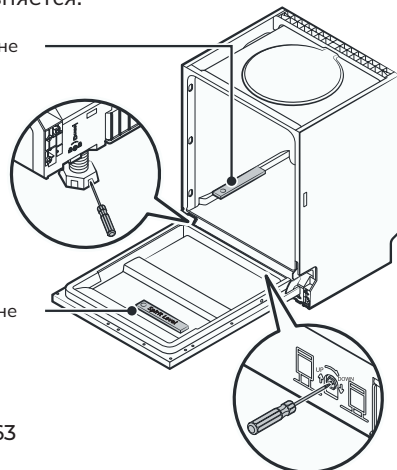
Для корректной работы выдвижных механизмов и эффективного мытья посудомоечная машина должна быть выровнена.

Как только она будет установлена, можно изменить ее высоту с помощью регулировки ножек.

Установите строительный уровень на дверцу и направляющую стойки, как показано на рисунке ниже, чтобы проверить, достаточно ли ровно стоит посудомоечная машина.

При необходимости выровняйте посудомоечную машину, отрегулировав по отдельности три ножки. Задние ножки регулируют, повернув винт в середине основания посудомоечной машины. Чтобы отрегулировать передние ножки, следует использовать плоскую отвертку: поворачивать ножки нужно до тех пор, пока посудомоечная машина не выровняется.

Проверьте выравнивание по глубине



Проверьте выравнивание по ширине



Внимание

При выравнивании посудомоечной машины следите, чтобы она не опрокинулась.

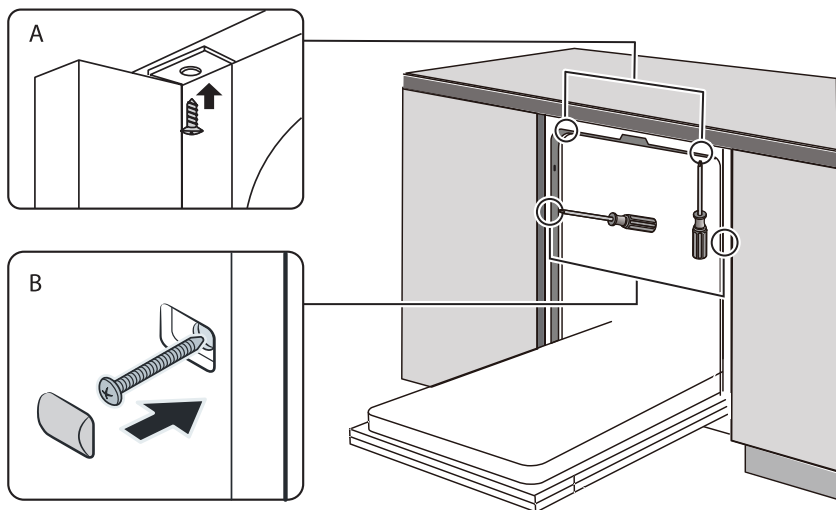


Примечание

Максимальная высота регулировки ножек составляет 50 мм.

Посудомоечная машина должна быть надежно закреплена на месте. В зависимости от материала рабочей поверхности следует использовать разные способы:

- Для стандартной рабочей поверхности: вставить монтажный крюк в прорезь боковой плоскости и закрепить его шурупами на рабочей поверхности.
- Для рабочей поверхности из мрамора или гранита: закрепить боковую часть винтом.



Смягчитель воды и регулировка потребления соли

Смягчитель воды предназначен для удаления из воды минералов и солей, которые могут оказать вредное воздействие на работу посудомоечной машины. Чем больше в воде минералов, тем она жестче.

Регулировка предназначена для оптимизации уровня потребления соли. Необходимо регулировать количество потребляемой устройством соли в зависимости от жесткости используемой воды. Чтобы определить жесткость, обратитесь в управляющую компанию или приобретите набор специальных индикаторов и следуйте инструкциям в нем.

1. Откройте дверцу, включите посудомоечную машину.

2. Коснитесь сенсора программы более чем на **5 секунд**, чтобы запустить программу смягчения воды в течение **60 секунд** после включения.

3. Касайтесь сенсора программы, чтобы выбрать подходящую настройку в соответствии с локальной средой. Настройки будут меняться в последовательности **Н1 -> Н2 -> Н3 -> Н4 -> Н5 -> Н6 -> Н1**.

4. Коснитесь сенсора включения, чтобы завершить настройку программы.

Жесткость воды	Диапазон (ммоль/л)	Рекомендуемая настройка	Потребление соли (грамм/цикл)
Мягкая	0–0,94	Н1	0
Средняя	1,0–2,0	Н2	9
	2,1–3,0	Н3	12
	3,1–4,0	Н4	20
Жесткая	4,1–6,0	Н5	30
	6,1–9,8	Н6	60

Заводская установка — Н3.

Загрузка соли в смягчитель воды

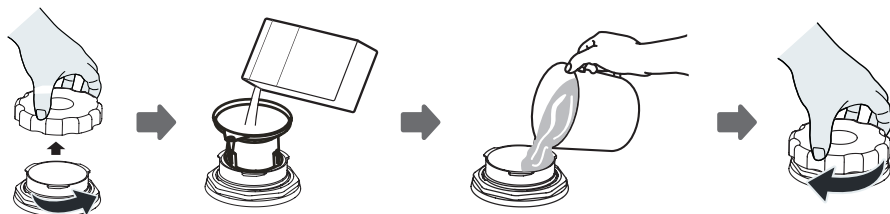
Всегда используйте соль, которая предназначена для посудомоечных машин. Все прочие виды соли, специально не предназначенные для использования в посудомоечных машинах, особенно столовая соль, повредят смягчитель воды. Производитель не несет ответственности за повреждения и возможные расходы на ремонт, связанные использованием неподходящей соли.

Засыпайте соль непосредственно перед пуском одной из программ мойки. Это не позволит крупинкам соли или брызгам соленой воды остаться в нижней части машины на неопределенный срок и вызвать коррозию.

После первого цикла мойки лампочка — индикатор уровня соли на панели управления погаснет.

Контейнер для соли расположен под нижней корзиной и должен быть заполнен, как описано ниже.

1. Снимите нижнюю корзину и откройте винтовую крышку.
2. Поместите в отверстие воронку и засыпьте примерно **1,5 кг** соли для посудомоечной машины.
3. Заполните контейнер с солью до максимального уровня водой. Обычно небольшое количество воды вытекает.
4. Плотно завинтите крышку.



5. Индикатор отсутствия соли погаснет автоматически сразу после наполнения контейнера солью.

6. Запустите одну из программ (например, быструю) для промывки. Если этого не сделать, система фильтров, насос или другие важные части машины могут быть повреждены соленой водой. Гарантия производителя не распространяется на такие поломки.

Индикатор отсутствия соли будет активен, когда соли в смягчителе воды недостаточно. Расход соли зависит от ее качества, жесткости воды, а также частоты использования посудомоечной машины.

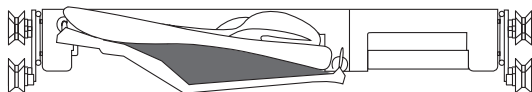
Примечание

1. Контейнер для соли необходимо заполнять, когда загорается лампочка предупреждения об отсутствии соли на панели управления. Индикатор может загореться и до того, как соль полностью израсходуется.
2. Если соль просыпалась мимо контейнера, то можно запустить программу замачивания, чтобы смыть частицы соли с внутренних стенок посудомоечной машины.

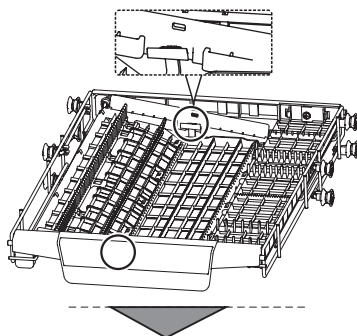
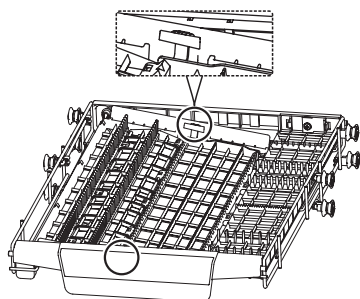
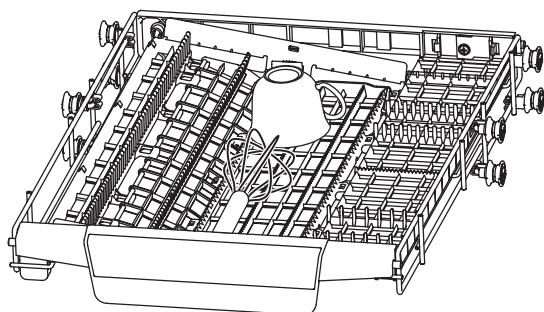
Регулировка корзин и полок в посудомоечной машине

Регулировка полки для столовых приборов для моделей MDW 451/452/453

Вы можете регулировать глубину полки, чтобы разместить такую посуду, как венчики для взбивания яиц, чашки и т. д., и это не влияет на верхнюю корзину.



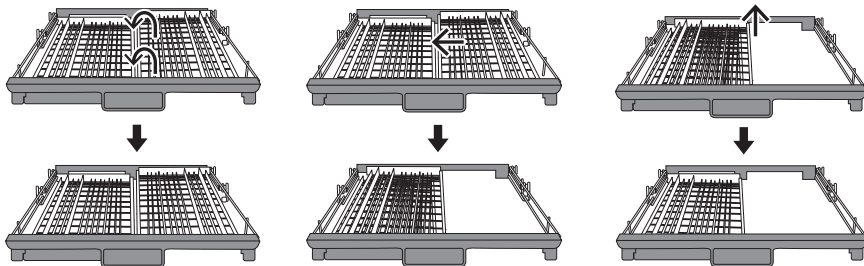
Отрегулируйте высоту стойки



Ослабьте четыре кнопки на полке и осторожно надавите на них

Регулировка полки для столовых приборов для моделей MDW 601/602/603

Вы можете изменить полку для столовых приборов следующим образом.



Поднимите правую корзину вверх

Переместите правую корзину справа налево, две корзины наложатся друг на друга

Выньте правую корзину, останется только левая

Регулировка верхней корзины

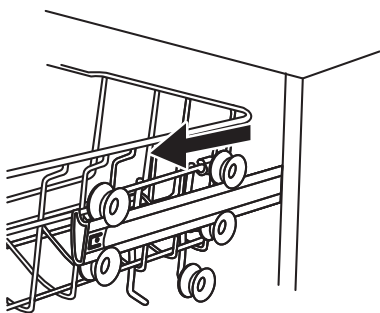


Внимание

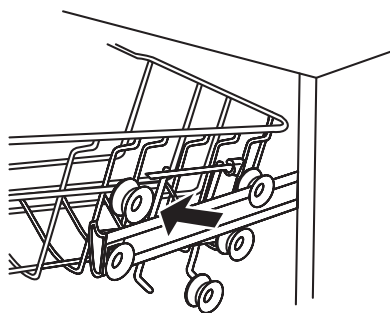
Не выполняйте регулировку корзин, загруженных посудой/предметами. Сначала освободите ее.

Высоту верхней корзины можно отрегулировать для размещения более высоких блюд в верхней или нижней корзине. В зависимости от модели регулировка возможна двумя способами.

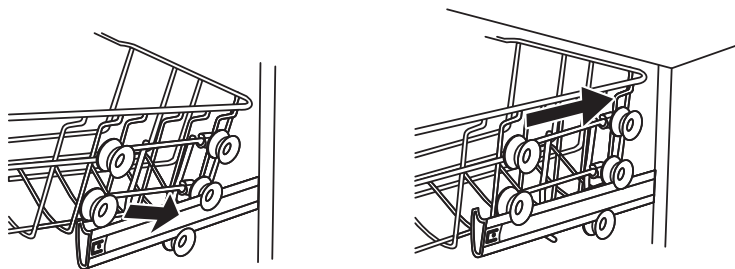
Способ 1



Выдвиньте верхнюю корзину

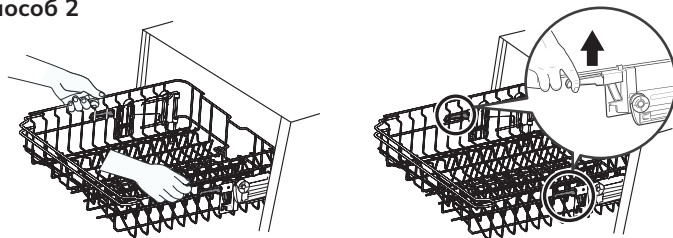


Снимите ее



Повторно прикрепите верхнюю корзину к верхним или нижним роликам и задвиньте ее на место

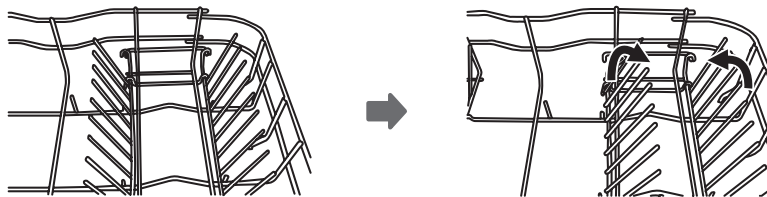
Способ 2



Чтобы поднять верхнюю корзину, возьмитесь за нее по центру с каждой стороны, пока корзина не зафиксируется в верхнем положении. Нет необходимости поднимать ручку регулировки. Чтобы опустить корзину, поднимите регулировочные ручки с каждой стороны, чтобы освободить корзину и опустить ее в нижнее положение.

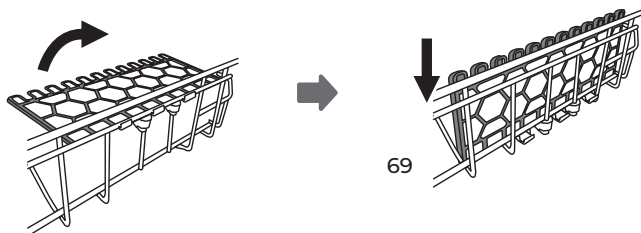
Регулировка нижней корзины для посуды

Крючки нижней корзины используются для удержания тарелок и блюд. Их можно опустить, чтобы освободить пространство для крупных предметов.



Откидывание полок для чашек

Чтобы освободить место для более высоких предметов в верхней корзине, следует поднять подставку для чашек или убрать ее.



Загрузка корзин посудомоечной машины

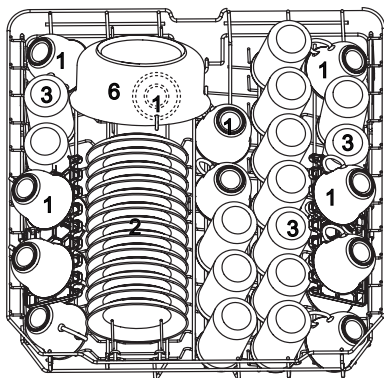
Полная загрузка посудомоечной машины будет способствовать экономии энергии и воды.

Загрузка верхней корзины

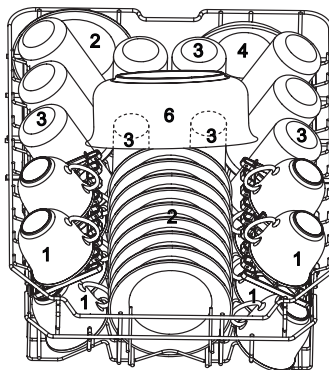
Верхняя корзина предназначена для более тонкой и легкой посуды, такой как стаканы, кофейные и чайные чашки, блюдца, а также маленькие тарелки, пиалы, неглубокие сковороды небольшого диаметра (если они не слишком грязные).

- 1 - Чашки
- 2 - Блюдца
- 3 - Стаканы
- 4 - Маленькие сервировочные тарелки
- 5 - Средние сервировочные тарелки
- 6 - Большие сервировочные тарелки

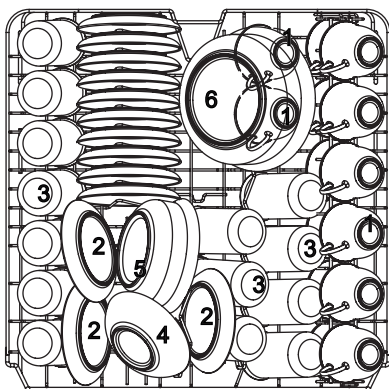
MDW 601



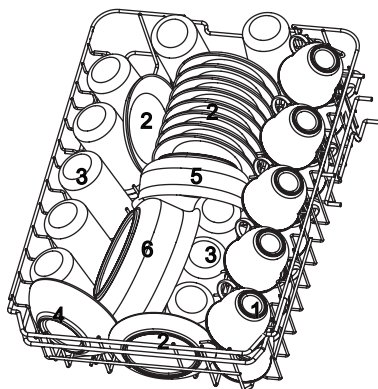
MDW 451



MDW 602/MDW 603



MDW 452/MDW 453



Загрузка нижней корзины

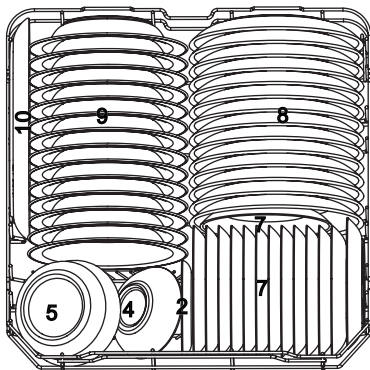
Данная корзина рекомендуется для размещения крупных, наиболее загрязненных и трудных для очистки предметов: кастрюль, сковородок, крышек, сервировочных тарелок, блюд.

Осуществлять загрузку в нижнюю корзину следует так, как показано на рисунке ниже.

Предпочтительно размещать сервировочные тарелки и крышки сбоку, чтобы избежать блокировки вращения верхнего распылителя.

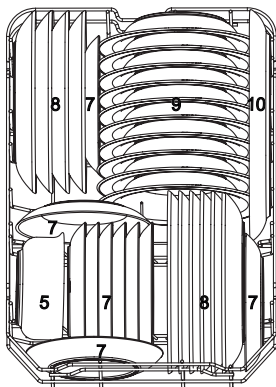
Максимальный рекомендуемый диаметр предметов, которые могут быть расположены перед дозатором моющего средства, составляет **19 см**. Предметы большего диаметра будут затруднять открытие дозатора.

MDW 601

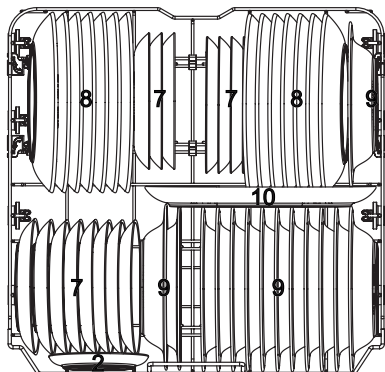


- 2 - Блюдца
- 4 - Маленькие сервировочные тарелки
- 5 - Средние сервировочные тарелки
- 7 - Десертные блюда
- 8 - Обеденные тарелки
- 9 - Суповые тарелки
- 10 - Овальное блюдо

MDW 451

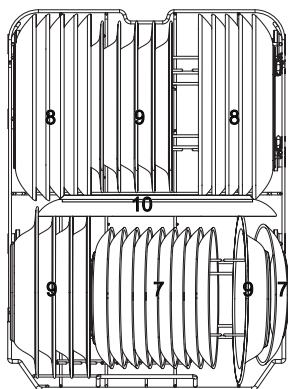


MDW 602/MDW 603



- 2 - Блюдца
- 4 - Маленькие сервировочные тарелки
- 5 - Средние сервировочные тарелки
- 7 - Десертные блюда
- 8 - Обеденные тарелки
- 9 - Суповые тарелки
- 10 - Овальное блюдо

MDW 452/MDW 453



Загрузка полки для столовых приборов

Столовые приборы следует размещать в специальной стойке, отдельно друг от друга и в соответствующих положениях.

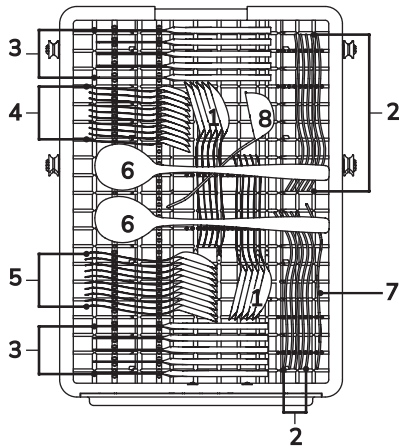
Для лучшего качества мытья следует убедиться, что приборы не прикасаются друг к другу.



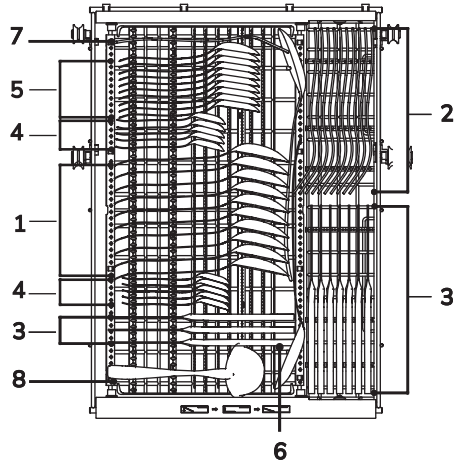
Внимание

Нельзя допускать, чтобы острые, узкие предметы проникали сквозь решетку корзин. Острые предметы следует загружать острой частью лезвия вниз.

MDW 451

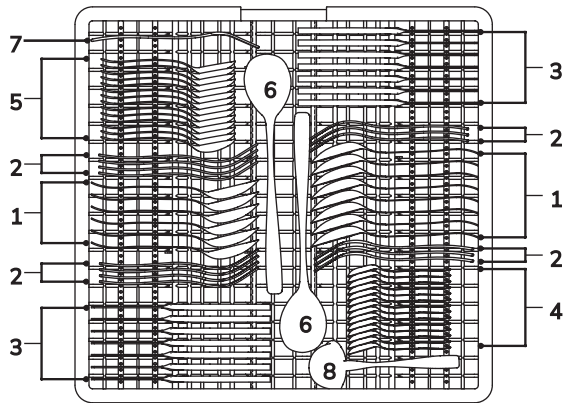


MDW 452/MDW 453

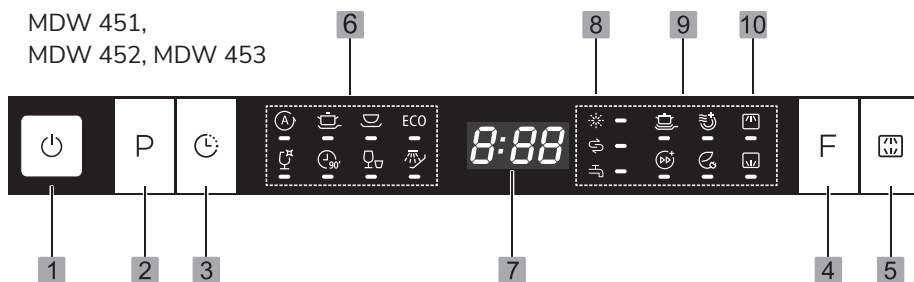
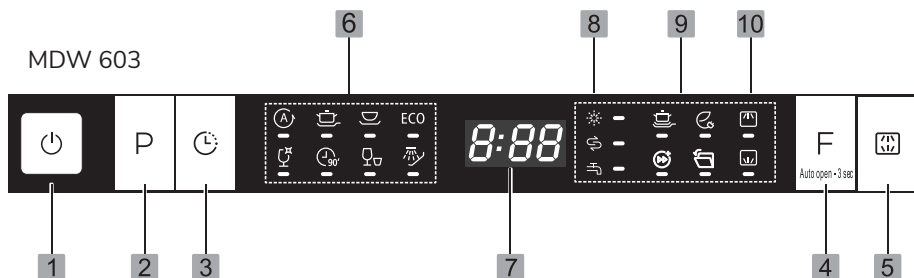
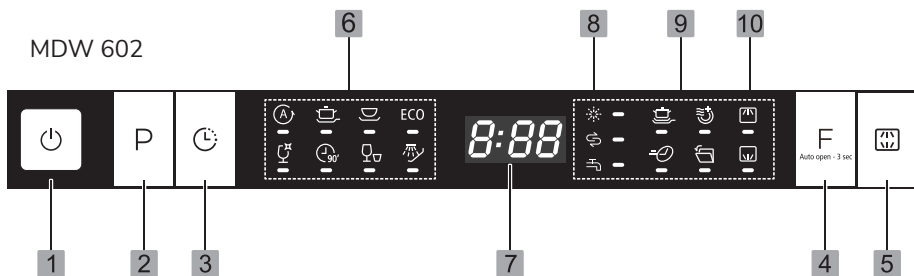
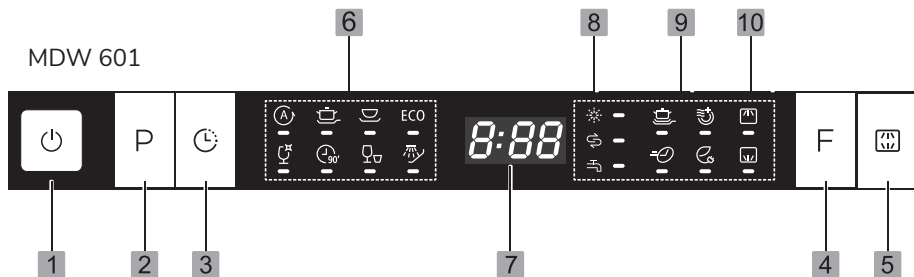


MDW 601/MDW 602/MDW 603

- 1 - Суповые ложки
- 2 - Вилки
- 3 - Ножи
- 4 - Чайные ложки
- 5 - Dessertные ложки
- 6 - Сервировочные ложки
- 7 - Сервировочные вилки
- 8 - Половник для соуса










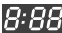

Панель управления












Сенсоры

№	Обозначение	Описание
1	Включение/выключение	Коснитесь, чтобы включить/выключить машину
2	Программы	Коснитесь, чтобы переключиться между программами, соответствующий индикатор будет подсвечен
3	Отложенный старт	Коснитесь, чтобы установить время отсрочки старта программы от 1 до 24 часов, шаг настройки — 1 час
4	Функция	Коснитесь, чтобы выбрать одну из дополнительных функций
5	Выбор разбрызгивателя	Коснитесь, чтобы работал только верхний или только нижний разбрызгиватель

Индикаторы








№	Обозначение	Описание
6	Индикаторы программ	 Авто Любая степень загрязнения
		 Интенсивная Сильные или обычные загрязнения
		 Стандартная Обычные загрязнения (кастрюли, тарелки, стаканы и слегка загрязненные сковородки)
		ECO Эко Программа с самым экономичным расходом энергии и воды
		 Стекло Легкие загрязнения стеклянной посуды
		 90 мин Легкие загрязнения
		 Быстрая Легкие загрязнения, без сушки
		 Ополаскивание Ополаскивание посуды, которую Вы планируете вымыть позже в тот же день
7	Дисплей	 Отображает время до начала/завершения программ, коды ошибок и т. д.
8	Индикаторы моющих средств	 Ополаскиватель Заканчивается ополаскиватель

№	Обозначение	Описание
8	Индикаторы моющих средств	 Соль Заканчивается соль
		 Нет подачи воды Водопроводный кран закрыт
9	Индикаторы функций	 Интенсивная мойка Очень сильные загрязнения. Для программ: MDW 451/601: авто, интенсивная, эко, стекло, 90 минут MDW 452/602: интенсивная, стандартная, эко, стекло, 90 минут MDW 453/603: интенсивная, эко, стекло, 90 минут
		 Экстрасушка Тщательная сушка. Для программ: MDW 451/601: авто, интенсивная, эко, стекло, 90 минут MDW 452/602: интенсивная, стандартная, эко, стекло, 90 минут MDW 453: интенсивная, стандартная, эко, стекло, 90 минут
		 Экспресс Уменьшает длительность программ: MDW 451/601: все программы  MDW 452/602, 453/603: интенсивная, стандартная, эко, стекло, 90 минут
		 Энергосберегающая мойка Для неполной загрузки в программах: MDW 451/601: авто, интенсивная, эко, стекло, 90 минут MDW 452/453: интенсивная, стандартная, эко, стекло, 90 минут MDW 603: интенсивная, эко, стекло, 90 минут
		 Автоматическое открывание дверцы После завершения мойки дверца откроется для достижения лучшего эффекта сушки. Для программ MDW 602/603: авто, интенсивная, стандартная, эко, стекло, 90 минут. Можно отменить включение функции после завершения мойки, пока индикатор не подсвечен
		10
 Нижний разбрызгиватель Активируется только нижняя насадка, верхняя работать не будет		

Программы посудомоечной машины

В таблице ниже показаны циклы и температуры работы различных программ, время работы и расход моющих средств, а также электроэнергии и воды, необходимость использовать ополаскиватель. ● — ополаскиватель требуется, ○ — ополаскиватель не требуется.








MDW 451

Про- грамма	Этапы цикла	Моющее ср-во (предв./ осн.)	Время работы (мин)	Расход эл-ва (кВт/ч)	Расход воды (л)	Ополаски- ватель
	Замачивание (45 °C) Мойка (45–55 °C) Ополаскивание (65 °C) Сушка	3/22 г 1 таб.	150	0,9–1,3	9,5–13	●
	Замачивание (50 °C) Мойка (60 °C) Ополаскивание (70 °C) Сушка	3/22 г 1 таб.	170	1,4	15,5	●
	Замачивание (45 °C) Мойка (55 °C) Ополаскивание (65 °C) Сушка	3/22 г 1 таб.	180	1,1	12	●
ECO	Замачивание Мойка (45 °C) Ополаскивание (55 °C) Сушка	3/22 г 1 таб.	195	0,74	8	●
	Замачивание Мойка (40 °C) Ополаскивание (60 °C) Сушка	3/22 г 1 таб.	125	0,75	12	●
	Мойка (65 °C) Ополаскивание (65 °C) Сушка	25 г 1 таб.	90	1,15	11,5	●
	Мойка (45 °C) Ополаскивание (50 °C) Ополаскивание (55 °C)	20 г	30	0,7	10	○
	Замачивание		15	0,02	3,5	○








MDW 452

Про- грамма	Этапы цикла	Моющее ср-во (предв./ осн.)	Время работы (мин)	Расход эл-ва (кВт/ч)	Расход воды (л)	Ополаски- ватель
	Замачивание (45 °C) Мойка (55–65 °C) Ополаскивание (50–55 °C) Сушка	5/20 г 1 таб.	85–150	0,615– 1,201	9,2–13,9	●
	Замачивание (50 °C) Мойка (65 °C) Ополаскивание (60 °C) Сушка	5/20 г 1 таб.	205	1,129	14,1	●
	Замачивание (45 °C) Мойка (55 °C) Ополаскивание (60 °C) Сушка	5/20 г 1 таб.	175	0,930	13,9	●
ECO	Мойка (50 °C) Ополаскивание (45 °C) Сушка	25 г 1 таб.	198	0,658	8,5	●
	Замачивание (40 °C) Мойка (50 °C) Ополаскивание (50 °C) Сушка	5/20 г 1 таб.	120	0,671	11,3	●
	Мойка (55 °C) Ополаскивание (50 °C) Сушка	25 г 1 таб.	90	0,620	8,4	●
	Мойка (40 °C) Ополаскивание (40 °C) Ополаскивание (55 °C)	15 г	30	0,583	10	○
	Замачивание		15	0,018	3,6	○








MDW 453

Про- грамма	Этапы цикла	Моющее ср-во (предв./ осн.)	Время работы (мин)	Расход эл-ва (кВт/ч)	Расход воды (л)	Ополаски- ватель
	Замачивание (45 °C) Мойка (45–55 °C) Ополаскивание (60 °C) Сушка	5/20 г 1 таб.	80–150	0,790– 1,510	9,8–13,1	●
	Замачивание (50 °C) Мойка (65 °C) Ополаскивание (60 °C) Сушка	5/20 г 1 таб.	205	1,01	14,7	●
	Замачивание (45 °C) Мойка (55 °C) Ополаскивание (55 °C) Сушка	5/20 г 1 таб.	175	0,920	11,1	●
ECO	Мойка (50 °C) Ополаскивание (45 °C) Сушка	5/20 г 1 таб.	208	0,608	8,0	●
	Замачивание Мойка (50 °C) Ополаскивание (50 °C) Сушка	5/20 г 1 таб.	120	0,91	11,2	●
	Мойка (60 °C) Ополаскивание (50 °C) Сушка	25 г 1 таб.	90	1,120	9,6	●
	Мойка (45 °C) Ополаскивание (45 °C)	15 г 1 таб.	30	0,810	9,9	○
	Замачивание		15	0,02	3,6	○








MDW 601

Про- грамма	Этапы цикла	Моющее ср-во (предв./ осн.)	Время работы (мин)	Расход эл-ва (кВт/ч)	Расход воды (л)	Ополаски- ватель
	Замачивание (45 °C) Мойка (45–55 °C) Ополаскивание (65 °C) Сушка	5/30 г 1 таб.	150	0,9–1,3	11–15	●
	Замачивание (50 °C) Мойка (60 °C) Ополаскивание (70 °C) Сушка	5/30 г 1 таб.	175	1,6	17,5	●
	Замачивание (45 °C) Мойка (55 °C) Ополаскивание (65 °C) Сушка	5/30 г 1 таб.	185	1,3	13,5	●
ECO	Замачивание Мойка (50 °C) Ополаскивание (55 °C) Сушка	5/30 г 1 таб.	210	0,93	10	●
	Замачивание Мойка (40 °C) Ополаскивание (60 °C) Сушка	5/30 г 1 таб.	130	1,3	13	●
	Мойка (65 °C) Ополаскивание (65 °C) Сушка	35 г 1 таб.	90	1,35	12,5	●
	Мойка (45 °C) Ополаскивание (50 °C) Ополаскивание (55 °C)	25 г	30	0,75	11	○
	Замачивание		15	0,02	4	○

MDW 602

Про- грамма	Этапы цикла	Моющее ср-во (предв./ осн.)	Время работы (мин)	Расход эл-ва (кВт/ч)	Расход воды (л)	Ополаски- ватель
	Замачивание (45 °С) Мойка (55–65 °С) Ополаскивание (50–55 °С) Сушка	5/32,5 г 1 таб.	85–150	1,050– 1,551	10,6– 15,9	●
	Замачивание (50 °С) Мойка (65 °С) Ополаскивание (60 °С) Сушка	5/32,5 г 1 таб.	205	1,651	16,5	●
	Замачивание (45 °С) Мойка (55 °С) Ополаскивание (60 °С) Сушка	5/32,5 г 1 таб.	175	1,451	16,5	●
ECO	Мойка (50 °С) Ополаскивание (50 °С) Сушка	37,5 г 1 таб.	210	0,847	10	●
	Замачивание (40 °С) Мойка (50 °С) Ополаскивание (50 °С) Сушка	5/32,5 г 1 таб.	120	0,902	13,5	●
	Мойка (55 °С) Ополаскивание (50 °С) Сушка	37,5 г 1 таб.	90	0,891	10,3	●
	Мойка (40 °С) Ополаскивание (40 °С) Ополаскивание (55 °С)	15 г	30	0,781	11	○
	Замачивание		15	0,02	4	○

MDW 603

Про- грамма	Этапы цикла	Моющее ср-во (предв./ осн.)	Время работы (мин)	Расход эл-ва (кВт/ч)	Расход воды (л)	Ополаски- ватель
	Замачивание (45 °C) Мойка (55–65 °C) Ополаскивание (50–55 °C) Сушка	5/30 г 1 таб.	90–180	0,850– 1,1550	8,5–18,0	●
	Замачивание (50 °C) Мойка (65 °C) Ополаскивание (60 °C) Сушка	5/30 г 1 таб.	205	1,5	16,6	●
	Замачивание (45 °C) Мойка (55 °C) Ополаскивание (55 °C) Сушка	5/30 г 1 таб.	175	0,980	13,6	●
ECO	Замачивание Мойка (50°C) Ополаскивание (50 °C) Сушка	5/30 г 1 таб.	198	0,765	9,8	●
	Замачивание Мойка (50 °C) Ополаскивание (50 °C) Сушка	5/30 г 1 таб.	120	0,950	13,5	●
	Мойка (60 °C) Ополаскивание (50 °C) Сушка	35 г 1 таб.	90	1,180	12,5	●
	Мойка (45 °C) Ополаскивание (45 °C)	20 г	30	0,82	11,2	○
	Замачивание		15		4,1	○

Для быстрого цикла мойки не рекомендуется использовать таблетки, т. к. они могут раствориться не полностью.



Примечание

Все указанные программы прошли циклы испытаний в соответствии с сертификатом EN 50242.

Подготовка и загрузка посуды

1. Следует загружать посуду, подходящую для мытья в посудомоечной машине.
2. Для определенных предметов посуды необходимо выбирать программу с минимально возможной температурой.
3. Во избежание повреждений нельзя вынимать из посудомоечной машины посуду из стекла и столовые приборы сразу после завершения программы.
4. Следующие столовые приборы/посуда не подходят для мытья в посудомоечной машине:
 - Столовые приборы с деревянными, роговыми фарфоровыми или перламутровыми ручками, элементами из нетермостойкого пластика.
 - Старые столовые приборы со склеенными деталями, которые не являются термостойкими.
 - Скрепленные столовые приборы и посуда.
 - Оловянные, медные, деревянные и хрустальные изделия.
 - Стальные изделия, подверженные коррозии.
 - Изделия из синтетических волокон.
5. Некоторые типы стекла могут потускнеть после большого количества циклов мойки.
6. Серебряные и алюминиевые детали, а также узоры на стекле имеют тенденцию обесцвечиваться во время мытья.
7. Глазурь на посуде может потускнеть.

Рекомендации по загрузке посудомоечной машины

1. Удалите с посуды остатки пищи. Подгоревшие остатки пищи на сковородах и кастрюлях следует размягчить. Ополаскивать посуду под проточной водой нет необходимости.
2. Для наилучшей производительности посудомоечной машины нужно следовать рекомендациям по загрузке (особенности и внешний вид корзин могут отличаться в зависимости от модели).
3. Размещайте посуду, следуя рекомендациям ниже:
 - Изогнутые, пустотелые и предметы с углублениями (чашки, стаканы, кастрюли, сковородки и т. д.) следует загружать под наклоном, углублением вниз, чтобы с них стекала вода.
 - Все предметы должны уложены так, чтобы они не опрокинулись.
 - Посуда должна быть расположена таким образом, чтобы распылители могли свободно вращаться во время цикла работы устройства.
 - Посуда и столовые приборы не должны быть вложены один в другой, соприкасаться или перекрывать друг друга во избежание повреждений и для лучшего качества мытья.

- В верхней корзине следует размещать более тонкую и легкую посуду, такую как стаканы, кофейные и чайные чашки.

- Длинные и/или острые предметы, столовые приборы, такие как разделочные ножи, должны располагаться горизонтально в верхней корзине. В вертикальном положении они представляют опасность.

4. Не следует перегружать посудомоечную машину. Это важно для качества работы и разумного потребления энергии.



Примечание

Не следует мыть в посудомоечной машине слишком мелкие предметы. Они могут легко выпасть из корзины.

Загрузка верхней корзины

Верхняя корзина предназначена для более тонкой и легкой посуды, такой как стаканы, кофейные и чайные чашки и блюдца, а также тарелки, маленькие миски и неглубокие сковороды (при условии, что они не слишком грязные). Расположите посуду таким образом, чтобы она не сдвинулась под напором воды.



Загрузка нижней корзины

Нижняя корзина предназначена для крупной и трудно очищаемой посуды, такой как сервировочные тарелки и миски, кастрюли, сковороды, крышки. Рекомендуется располагать их так, как показано на рисунке.

Сервировочную посуду и крышки предпочтительно размещать сбоку, чтобы не заблокировать верхний распылитель. Максимальный диаметр, рекомендуемый для тарелок перед дозатором моющего средства, составляет **19 см**, чтобы не затруднить его открытие.



Загрузка полки для столовых приборов

Столовые приборы следует класть в предназначенные для их типа отсеки. Избегайте наложения столовых приборов друг на друга, чтобы достичь наилучшего эффекта мойки.



Предупреждение

Всегда загружайте острую посуду острием вниз, но не допускайте, чтобы какой-либо предмет проходил через отверстия решеток.



Моющее средство

Химические ингредиенты, входящие в состав моющего средства, необходимы для измельчения и удаления всех загрязнений из посудомоечной машины.

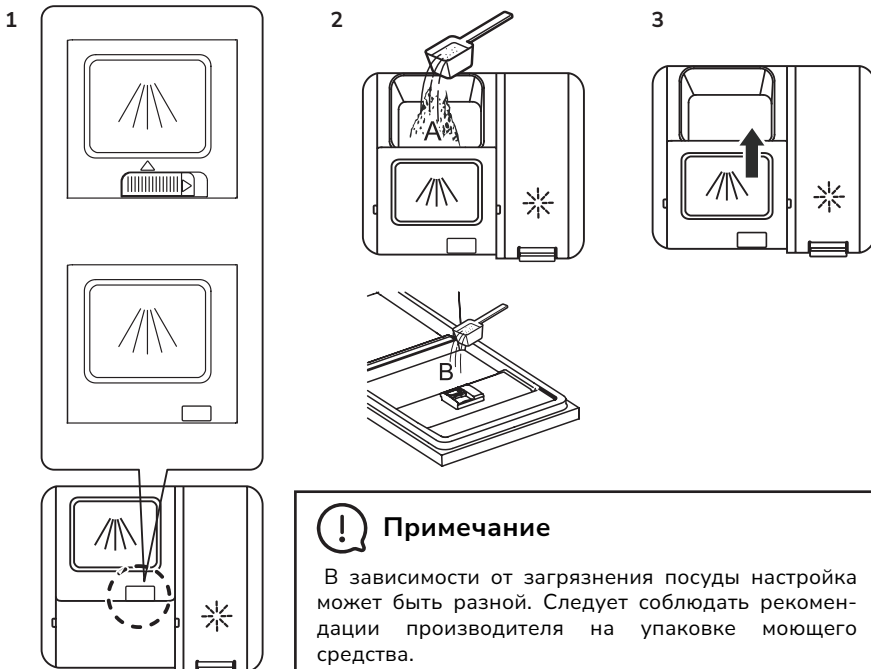


Внимание

Следует использовать только моющее средство, специально предназначенное для посудомоечных машин. Не рекомендуется заранее класть порошкообразное моющее средство в дозатор. Лучше сделать это непосредственно перед запуском цикла мойки. Моющее средство для посудомоечной машины вызывает коррозию! Храните его в недоступном для детей месте.

Загрузка дозатора моющего средства

1. Откройте крышку, сдвинув фиксатор или нажав на него.
2. Добавьте моющее средство в большую полость. Для лучшего результата, особенно если посуда очень грязная, налейте на дверцу небольшое количество моющего средства. Дополнительное моющее средство активируется на этапе предварительной мойки.
3. Закройте заслонку сдвинув ее вперед и нажав вниз.



Ополаскиватель

Средство для ополаскивания поступает во время заключительного этапа цикла мойки, чтобы предотвратить образование пятен и следов на посуде.

Использование ополаскивателя улучшает сушку, помогая воде быстро стекать с посуды.

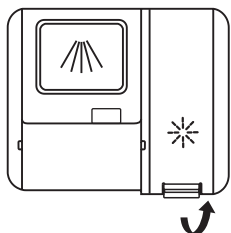


Внимание

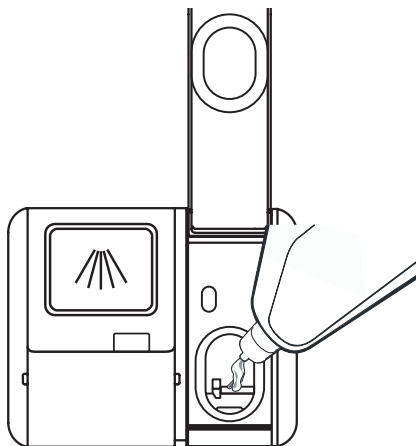
Необходимо использовать только специализированный ополаскиватель для посудомоечной машины. Нельзя наполнять дозатор ополаскивателя какими-либо другими веществами.

Данное устройство предназначено для использования жидких ополаскивателей. Во избежание избыточного пенообразования удалите пролившийся ополаскиватель тканью, хорошо впитывающей жидкость.

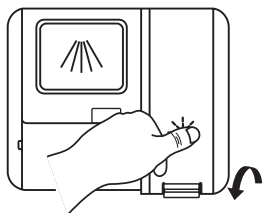
1. Поднимите крышку отсека для ополаскивателя.



2. Залейте ополаскиватель в дозатор (старайтесь не переполнить его).



3. Закройте крышку отсека.



Регулировка использования ополаскивателя

Резервуар для ополаскивателя имеет пять настроек. Рекомендуемая заводская настройка — «4».

Если посуда не высыхает должным образом или на ней остаются пятна, допустимо выбрать более интенсивную настройку.

Если на посуде остаются липкие беловатые пятна или синеватая пленка, следует выбрать менее интенсивную настройку.

Ваша посудомоечная машина оборудована электронным регулятором расхода ополаскивателя, следуйте приведенным ниже инструкциям.

1. Откройте дверцу и коснитесь сенсора включения.

2. В течение **60 секунд** после шага 1 коснитесь сенсора «Программа» более чем на **5 секунд**, а затем — сенсора отсрочки старта. Индикатор ополаскивателя будет мигать.

3. Коснитесь сенсора «Программа» несколько раз, чтобы выбрать подходящий режим (в последовательности **D1 -> D2 -> D3 -> D4 -> D5 -> D1**). Чем больше значение, тем больше ополаскивателя используется в посудомоечной машине.

4. Подождите **5 секунд** или коснитесь сенсора включения, чтобы завершить настройку.

Программирование посудомоечной машины

Запуск цикла мойки

1. Откройте дверцу.

2. Выдвиньте нижнюю и верхнюю корзины, полку для столовых приборов, загрузите посуду и задвиньте их обратно. Рекомендуется сначала загрузить нижнюю корзину, затем верхнюю.

3. Налейте моющее средство в специальный отсек, добавьте ополаскиватель, если необходимо.

4. Убедитесь, что подача воды включена.

5. Коснитесь сенсора включения.

6. Выберите программу — загорится ее индикатор. При необходимости установите отложенный старт и активируйте дополнительные функции.

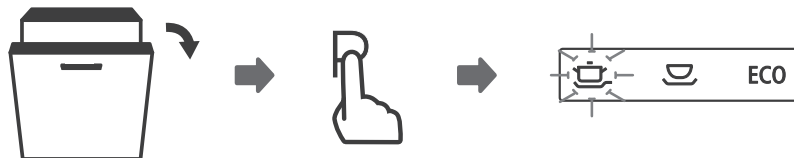
7. Закройте дверцу. Посудомоечная машина начнет выполнение программы.

Модели **MDW 453**, **MDW 603** имеют функцию «**Луч в пол**». Световой индикатор находится в нижней части изделия. Он включен, когда выполняется программа, и выключается, когда цикл мойки окончен.

Изменение программы в процессе работы устройства

Переключить программу можно не позже чем **через 5 минут** после запуска цикла. В противном случае моющее средство уже будет использовано, а посудомоечная машина сольет воду. В такой ситуации необходимо перезагрузить посудомоечную машину и снова наполнить дозатор моющего средства.

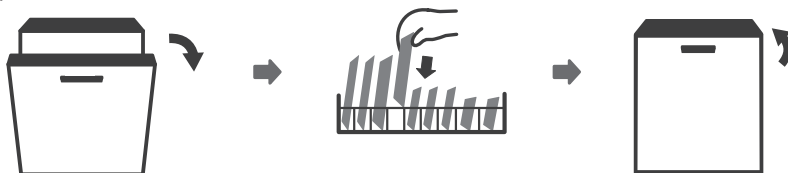
1. Слегка приоткройте дверцу, чтобы посудомоечная машина остановила работу.
2. После того как ороситель выключится, откройте дверцу полностью.
3. Коснитесь сенсора программы более чем **на 3 секунды**.
4. Выберите необходимую программу (используйте сенсор «Программы»).
5. Закройте дверцу. Посудомоечная машина начнет выполнение цикла мойки.



Добавление посуды во время цикла мойки

Посуду можно добавить в любое время до того, как откроется дозатор мощного средства. Для этого нужно:

1. Приоткрыть дверцу, чтобы остановить работу посудомоечной машины.
2. После того как оросители перестанут работать, полностью открыть дверцу.
3. Добавить забытую посуду.
4. Закрыть дверцу. Посудомоечная машина продолжит выполнение программы.



Внимание

Опасно открывать дверцу во время цикла! Это может привести к ожогам паром. Если происходит перелив воды, следует перекрыть кран подачи воды и вызвать представителя сервисной службы. Перед запуском посудомоечной машины вся лишняя вода должна быть удалена.

Окончание цикла мойки и выгрузка посуды

По окончании цикла мойки раздастся звуковой сигнал. У моделей MDW 452/453/602/603 после цикла мойки дверца автоматически откроется для достижения лучшего эффекта сушки.

Осторожно! При открывании дверцы после окончания цикла мойки возможен выход горячего пара. Дверца посудомоечной машины не должна быть заблокирована, это может нарушить функциональность дверного замка.

Чтобы вода не капала из верхней корзины в нижнюю, рекомендуется сначала опорожнить нижнюю корзину, а затем верхнюю.



Предупреждение

Посуда и столовые приборы будут горячими! Во избежание повреждений не вынимайте стекло и столовые приборы из посудомоечной машины в течение примерно 15 минут после окончания программы.

Проверяйте фильтры после цикла мытья. Если фильтр грубой очистки засорен, снимите его и промойте под проточной водой (см. пункт «Уход за внутренней частью посудомоечной машины»).

Очистка и уход



Внимание

Перед чисткой посудомоечной машины или проведением технического обслуживания всегда выключайте питание, отсоединяйте вилку от розетки.

1. После мойки следует очистить фильтры, отключить подачу воды в посудомоечную машину и оставить дверцу приоткрытой на некоторое время, чтобы влага и запахи испарились.
2. Для очистки наружных и резиновых деталей посудомоечной машины нельзя использовать растворители или абразивные чистящие средства. Для очистки допустимо использовать только ткань с теплой мыльной водой или губку.
3. Для удаления пятен или разводов с внутренних поверхностей следует использовать ткань, смоченную водой с небольшим количеством уксуса, или чистящее средство, изготовленное специально для посудомоечных машин.
4. Если не планируется использовать устройство в течение длительного времени, рекомендуется выполнить цикл мойки без посуды, затем вынуть вилку из розетки, отключить подачу воды и оставить дверцу устройства слегка приоткрытой. Это поможет уплотнителям прослужить дольше и предотвратит образование неприятных запахов внутри посудомоечной машины.
5. Если посудомоечную машину требуется переместить, необходимо удерживать ее в вертикальном положении. При крайней необходимости посудомоечную машину можно расположить горизонтально, задней стенкой вниз.
6. Одним из факторов, вызывающих образование неприятных запахов в посудомоечной машине, являются остатки пищи в уплотнителях. Поэтому их необходимо периодически чистить влажной губкой.

Использование в неотопливаемом помещении в зимний период

После каждого цикла мойки следует выполнять следующие шаги:

- Отключить посудомоечную машину от источника питания.
- Отключить подачу воды.
- Отсоединить шланг от водопроводного крана.
- Слить воду из патрубка и водопроводного крана в подходящую емкость.
- Подсоединить патрубок к водопроводному крану.
- Снять фильтр в нижней части трубы и использовать губку для удаления воды.

Уход за внешней частью посудомоечной машины

Дверца и уплотнительные прокладки дверцы

Уплотнительные прокладки дверцы следует регулярно протирать мягкой влажной тканью, чтобы удалить жир и остатки пищи.

При загрузке посуды в посудомоечную машину остатки жидкой пищи, напитков могут стекать по бокам дверцы. Эти поверхности находятся за пределами моечного шкафа и недоступны для воды из оросителей. Подобные загрязнения следует удалить перед тем, как закрыть дверцу.

Панель управления

При загрязнении панели управления ее следует протирать исключительно мягкой влажной тканью.

Запрещено использовать:

- Очистители с распылением, чтобы избежать попадания воды в замок дверцы и на электрические элементы.
- Абразивные чистящие средства или чистящие прокладки для наружных поверхностей, так как они могут ее поцарапать. Некоторые бумажные полотенца также могут повредить поверхности устройства.

Уход за внутренней частью посудомоечной машины

Система фильтров

Система фильтров, расположенная в основании моечного шкафа, удерживает крупный мусор во время цикла мойки, включая посторонние предметы, такие как зубочистки или осколки. Скопившийся крупный мусор может привести к засорению фильтров. Следует регулярно проверять состояние фильтров и при необходимости очищать их под проточной водой, чтобы избежать засоров.

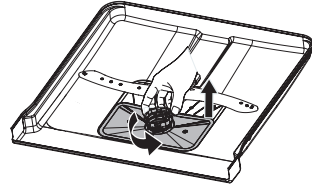


Примечание

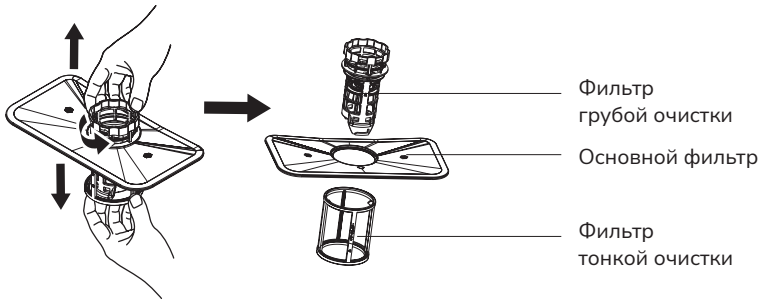
Изображения приведены только для справки, разные модели фильтрующей системы и распылителей могут отличаться.

Выполните следующие действия, чтобы очистить фильтры в моечном шкафу.

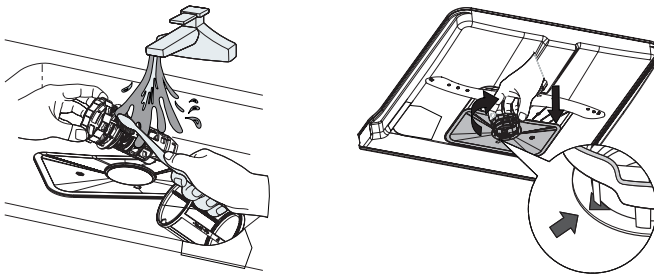
1. Достаньте нижнюю корзину.
2. Возьмитесь за фильтр грубой очистки и поверните его против часовой стрелки, чтобы разблокировать. Поднимите фильтр вверх и выньте его из посудомоечной машины.



3. Фильтр тонкой очистки можно снять с нижней части фильтрующего узла. Фильтр грубой очистки можно отсоединить от основного фильтра, осторожно сжимая выступы в верхней части и оттягивая его.



4. Более крупные остатки пищи можно удалить, промыв фильтр под проточной водой. Для более тщательной очистки используйте мягкую чистящую щетку.



5. Соберите фильтры в порядке, обратном разборке, замените вставку фильтра и поверните по часовой стрелке до стрелки закрытия.

Нельзя затягивать фильтры слишком сильно.

Следует надежно установить фильтры по порядку, иначе крупный мусор может попасть в систему и вызвать засор.

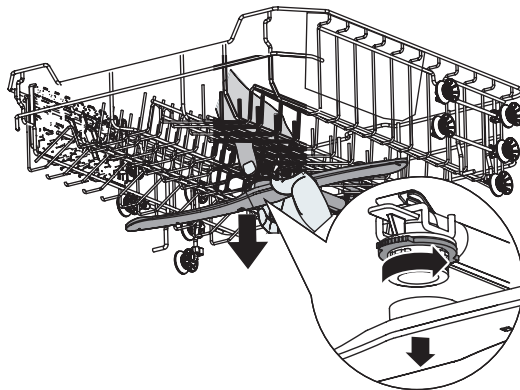
Не допускается использование посудомоечной машины без установленных фильтров. Неправильная замена фильтра может снизить производительность устройства и привести к повреждению посуды.

Оросители

Химикаты и жесткая вода засоряют форсунки распылительных рычагов и подшипники. Эти элементы необходимо регулярно чистить.

Сделать это можно, следуя приведенным инструкциям ниже.

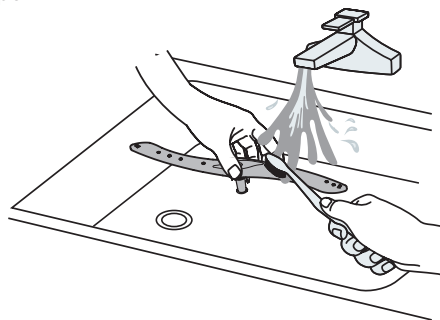
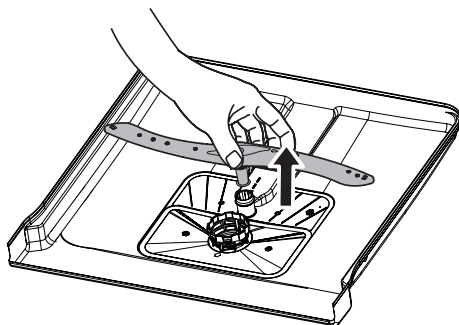
1. Чтобы снять держатель верхнего оросителя, удерживайте гайку в центре неподвижно и поверните распылитель против часовой стрелки, чтобы удалить его.



2. Чтобы снять держатель нижнего оросителя, потяните ороситель вверх.

3. Вымойте держатели оросителей в теплой мыльной воде и используйте мягкую щетку для очистки форсунок.

4. Установите их после тщательной промывки.



Советы по устранению неисправностей

Просмотр этого раздела поможет самостоятельно устранить некоторые распространенные неполадки. Если самостоятельно это сделать не получается, следует обратиться за помощью к специалисту или в сервисный центр.

Проблема	Возможные причины	Что делать
Посудомоечная машина не работает	Сгорел предохранитель или отключились пробки	Отключите устройство от электропитания и дайте двигателю остыть. Замените предохранитель и включите пробки
	Нет электричества	Убедитесь, что посудомоечная машина включена, а электрическая вилка правильно вставлена в розетку
	Низкое давление воды	Убедитесь, что все шланги правильно соединены, а кран подачи воды открыт
	Дверца посудомоечной машины закрыта неправильно	Убедитесь, что дверца полностью закрыта
Дренажная помпа не отключается	Перелив воды	Система посудомоечной машины автоматически определяет перелив, отключает круговую помпу и включает дренажную
Шум	Некоторые естественные шумы (например, открытие крышки диспенсера моющего средства)	Это не влияет на работу посудомоечной машины. Если Вы сомневаетесь в ее исправности, обратитесь к специалисту
	Столовые приборы не закреплены или в корзину попал мелкий посторонний предмет	Откройте дверцу и убедитесь, что все элементы в посудомоечной машине надежно закреплены
	Звук мотора	Если посудомоечная машина используется нечасто, следует раз в неделю запускать короткий цикл. Это сохранит уплотнители влажными и предотвратит шумы
Стук в посудомоечной машине	Распылитель стучит по предмету в корзине	Прервите программу и переставьте предметы, которые мешают распылительному рычагу вращаться

Проблема	Возможные причины	Что делать
Стучащий звук в трубах	Особенности трубопровода	Это не влияет на работу посудомоечной машины. Если Вы сомневаетесь в ее исправности, обратитесь к квалифицированному сантехнику
Мыльная пена в отстойнике	Неправильное моющее средство	В посудомоечной машине допустимо использовать только специальные моющие средства. В случае появления пены следует открыть машину и дать пене осесть, а затем добавить 1 литр холодной воды в отстойник. Закройте дверцу посудомоечной машины, затем выберите любой цикл. Сначала из посудомоечной машины будет слита вода. Откройте дверцу после завершения этапа слива и проверьте, исчезла ли пена. При необходимости повторите процедуру
	Пролитое средство для полоскания	Необходимо всегда сразу вытирать пролитое средство для полоскания
Отстойник в пятнах	Использовалось моющее средство с красителем	Используйте только средство без красителей
Посуда мокрая	В диспенсере нет ополаскивающего средства	Заполните диспенсер ополаскивающим средством
Посуда грязная	Выбрана неправильная программа	Выберите более интенсивную программу
	Неправильная загрузка корзины	Правильно загрузите корзину
	Недостаточно моющего средства	Используйте больше моющего средства или замените его
	Предметы блокируют движения распылителей	Располагайте предметы внутри таким образом, чтобы распылители могли свободно вращаться
	Загрязнились или неверно установлены фильтры грубой и тонкой очистки, что может вызвать блокировку распылителей	Очистите и/или установите фильтры верно. Проведите очистку распылителей

Проблема	Возможные причины	Что делать
На столовых приборах есть пятна ржавчины	Столовые приборы не устойчивы к коррозии	Не мойте в посудомоечной машине предметы, которые не устойчивы к коррозии
	Не была запущена программа после добавления соли для посудомоечной машины, и частицы соли попали на посуду	Всегда запускайте программу мойки без использования посуды после добавления соли
	Крышка контейнера для соли неплотно закрыта	Убедитесь, что крышка контейнера для соли надежно закрыта
Пятна и разводы на стаканах и столовых приборах	<ul style="list-style-type: none"> - Очень жесткая вода - Низкая температура входящей воды - Перегрузка машины - Неправильная загрузка - Старое или влажное моющее средство - Пустой диспенсер ополаскивающей жидкости 	<p>Убедитесь, что большая посуда не мешает работе подвижных форсунок.</p> <p>Для удаления пятен со стеклянной посуды:</p> <p>Достаньте всю металлическую посуду из посудомоечной машины. Не добавляйте моющее средство. Выберите самый долгий цикл мойки. Включите машину и дайте ей поработать на 18–22 минуты меньше, чем при обычном режиме. Откройте дверцу и налейте 2 чашки белого уксуса на дно машины. Закройте дверцу и дайте машине закончить цикл. Если уксус не поможет, повторите ту же процедуру с ½ чашки лимонной кислоты</p>
Помутнение стеклянной посуды	Комбинация мягкой воды и слишком большого количества моющего средства	Если вода мягкая, используйте меньше моющего средства и самый короткий цикл для мытья стеклянной посуды
Желтая или коричневая пленка на внутренних поверхностях посудомоечной машины	Пятна от чая или кофе	Используйте ½ чашки отбеливателя и 3 чашки воды, чтобы вручную отмыть пятна. ПРЕДУПРЕЖДЕНИЕ Во избежание ожогов подождите не менее 20 минут после остановки машины
	Содержащееся в воде железо может оставлять подобную пленку	Следует приобрести и установить специальный фильтр для воды

Проблема	Возможные причины	Что делать
Белые пятна на посуде	Неподходящая соль и неверная настройка	Используйте специальную соль для посудомоечных машин и правильные параметры. Если вода жесткая, а Вы настроили параметры для мягкой, будет использоваться меньше соли
	В отсеке нет соли, или она не подходит для посудомоечной машины	Обычная пищевая соль может вывести устройство из строя. Необходимо использовать специальное средство для посудомоечной машины
	В отсек с посудой попала соль	Очистите отсек от соли. Убедитесь, что крышка емкости с солью закрывается герметично и не треснула. Если соль попала в бак для очищающего порошка, удалите ее
Белая пленка на внутренних поверхностях	Жесткая вода и содержащиеся в ней минералы	Для чистки внутренних поверхностей следует использовать влажную ткань и моющее средство для посудомоечных машин и надеть резиновые перчатки. ПРЕДУПРЕЖДЕНИЕ В посудомоечной машине можно использовать только специализированные моющие средства
В диспенсере осталось моющее средство	Посуда закрывает диспенсер	Перезагрузите посуду правильно
Пар	Нормальное явление	Никаких действий не требуется
Черные или серые отметки на посуде	Алюминиевые приборы оставляют подобные следы, прикасаясь к посуде из другого материала	Используйте полуабразивные средства, чтобы удалить эти отметки
Вода остается на дне отстойника	Небольшое количество воды на дне отстойника вокруг сливного отверстия помогает сохранять уплотнители влажными	Никаких действий не требуется

Проблема	Возможные причины	Что делать
Посудомоечная машина протекает	Переполнение диспенсера или пролитая ополаскивающая жидкость	Вытрите пролитую жидкость тряпкой. ПРЕДУПРЕЖДЕНИЕ Следует соблюдать осторожность, не переливать ополаскивающую жидкость. Пролитая жидкость может привести к чрезмерному вспениванию и к переливу воды
Посуда не сухая после завершения цикла мойки	Неправильная загрузка	Загружайте посуду верно (см. раздел «Загрузка корзин посудомоечной машины»)
	Посуду убирают слишком рано	Не разгружайте посудомоечную машину сразу после мытья. Слегка приоткройте дверцу, чтобы пар мог выходить наружу. Не вынимайте посуду до тех пор, пока внутренняя температура не станет безопасной для прикосновения. Сначала разгрузите нижнюю корзину, чтобы предотвратить попадание воды из верхней корзины
	Выбрана программа без сушки	Выбирайте программу с режимом сушки
	Использование столовых приборов с некачественным покрытием	С этими предметами сложнее отводить воду. Столовые приборы или посуда такого типа не подходят для мытья в посудомоечной машине
	Недостаточное количество ополаскивателя	Добавьте ополаскиватель в отсек для него
Вода не перекачивается из посудомоечной машины	Перекрученный или застрявший сливной шланг	Проверьте сливной шланг
	Засорился фильтр	Проверьте степень очистки фильтра
	Кухонная раковина засорилась	Проверьте сливное отверстие в раковине. Если проблема заключается в засоре, Вам может понадобиться сантехник, а не специалист по обслуживанию посудомоечных машин



Внимание

Самостоятельный или непрофессиональный ремонт может привести к серьезным рискам для безопасности пользователя прибора и аннулирует гарантию.

Коды ошибок

Код	Значения	Возможные причины
E1	Долгое время запуска	Забор воды ограничен, или давление воды слишком низкое
E3	Не достигается требуемая температура	Неисправность нагревательного элемента
E4	Переполнение камеры	Внутренняя протечка
E8	Нарушение ориентации распределительного клапана	Разомкнутая цепь или обрыв распределительного клапана
E9	Нажатие на сенсор более 30 сек	Что-то попало на сенсор
Ec	Проблема с системой управления	Блок питания или мотор поврежден
Ed	Потеря связи	Требуется обращения к специалисту сервисного центра



Внимание

В случае перелива отключите подачу воды, прежде чем обращаться в сервисную службу. Если в поддоне есть вода из-за переполнения или небольшой утечки, воду следует удалить перед повторным запуском посудомоечной машины.

Информация по гарантии

Сохраняйте гарантийный талон на посудомоечную машину. На элементы и аксессуары, приобретаемые дополнительно, гарантия не распространяется. Материалы, которые необходимо заменить с течением времени и в зависимости от интенсивности использования, как указано в руководстве по эксплуатации, не подпадают под действие гарантии. Данная гарантия не распространяется на сбои, возникающие в результате ненадлежащего или коммерческого использования, и следующие ситуации:

1. Любые повреждения и неисправности, возникающие в результате установки и использования устройства с нарушением инструкций, приведенных в руководстве.

2. Любые повреждения и неисправности, связанные с транспортировкой посудомоечной машины после ее доставки заказчику.

3. Любые повреждения и поломки из-за низкого или чрезмерного напряжения, неправильной электрической установки, использования при напряжении, которое отличается от указанного на табличке изделия.

4. Повреждения и неисправности из-за пожара и/или молнии.

5. Вмешательство в конструкцию и ремонт оборудования кем-либо, кроме уполномоченного лица.

6. Проблемы, возникающие при монтаже любых деталей, кроме поставляемых производителем.

Продавец, дилер, агентство или представитель, у которого потребитель приобретает изделие, несет ответственность за выдачу и доставку гарантийного талона потребителю. Фальсификация гарантийного талона, удаление оригинального серийного номера с продукции делает гарантию недействительной.

В случае несоблюдения мер предосторожности, указанных в руководстве в отношении изделий из нержавеющей стали, могут появиться почернение, окисление и волны на поверхности. Такие условия не подпадают под действие гарантии.

Если требуется транспортировка:

- Сохраняйте оригинальную упаковку и соблюдайте указания знаков на упаковке.

- Если оригинальная упаковка недоступна, не помещайте тяжелые предметы на посудомоечную машину.

Соблюдайте следующие меры

1. Приобретая посудомоечную машину, получите гарантийный талон.

2. Если Вам требуется обслуживание изделия, обратитесь в авторизованный сервисный центр.

Срок службы — 7 лет. Производитель гарантирует, что в течение этого периода запасные детали для изделия будут доступны.

Обслуживание и запасные детали

При необходимости Вы можете приобрести запасные детали для посудомоечной машины в авторизованном сервисном центре. В упаковке находится список сервисных центров. Чтобы запросить запасную деталь при обращении в сервисный центр или к дилеру, укажите версию изделия из таблицы внутри корпуса.

Если Вы соблюдаете все инструкции, но неисправность остается, можете связаться с сервисным центром.

Сервисная служба

При возникновении любых вопросов, связанных с покупкой, эксплуатацией и обслуживанием техники **MILLEN**, Вы можете проконсультироваться по телефону с сервисной службой: **8-800-77-55-44-7**.

Подробные условия гарантийного обслуживания Вы найдете в гарантийном талоне внутри упаковки.



Благодарим Вас за выбор техники MILLEN!

Мы заботимся о наших покупателях на каждом шаге взаимодействия с брендом: от момента выбора и до гарантийного обслуживания.

Если Вы столкнулись с неисправностью в работе техники, оставьте заявку на обслуживание на официальном сайте elxir.pro



Программа Elexir распределяет заявки только в **авторизованные сервисные центры**, прошедшие аттестацию службы качества бренда MILLEN.



100% оригинальные запчасти

Все запчасти производитель MILLEN напрямую отправляет в сервисные центры мастеров.



Квалифицированные мастера ремонта крупной встраиваемой бытовой техники.



elxir.pro



Утилизируйте упаковку с соблюдением правил экологической безопасности.

Материалы, используемые для упаковки данного изделия, пригодны для вторичной переработки.

Перед тем как утилизировать отслужившее изделие приведите его в нерабочее состояние, чтобы оно не представляло опасность.

Для этого отсоедините холодильник от сети питания и обрежьте кабель питания. Для защиты окружающей среды важно, чтобы старые приборы утилизировались надлежащим образом.

Не утилизируйте данное изделие вместе с бытовым мусором.

Значок в виде перечеркнутого мусорного бака на колесах:

Запрещается утилизировать электрооборудование вместе с несортированными бытовыми отходами, используйте специализированные пункты сбора отходов. Обратитесь в местные органы власти для получения информации о ближайших пунктах сбора.

Когда электрооборудование отправляется на мусорные полигоны, то опасные вещества, попав в грунтовые воды и далее в пищевые цепочки, могут навредить вашему здоровью и самочувствию. В зависимости от законодательных требований, при замене старого прибора на новый дилер может быть обязан забрать ваш старый прибор для утилизации, как минимум бесплатно.

Согласно ст. 26 законодательного декрета от 14 марта 2014 года № 49 «Исполнение директивы 2012/19/ЕС об утилизации отходов электронного и электрического оборудования (RAEE)»: знак перечеркнутого мусорного бака, приведенный на приборе или на его упаковке, означает, что по завершении срока службы прибора его необходимо утилизировать отдельно от других отходов.

Поэтому пользователь должен будет сдать отслуживший прибор в подходящие муниципальные центры по раздельному сбору отходов электронного и электрического оборудования.

В качестве альтернативы самостоятельной утилизации можно сдать прибор дилеру в момент приобретения нового равнозначного прибора.

Кроме того, в точках продаж электронных, электрических изделий, площадь которых превышает 400 м², можно, приобретая новое изделие, бесплатно, без каких-либо обязательств сдавать электронные приборы размером менее 25 см, подлежащие утилизации.

Надлежащий раздельный сбор отходов, отслуживших электроустройств для последующей переработки и утилизации, совместимый с охраной природы, позволяет избежать негативного воздействия на окружающую среду и здоровье людей, а также способствует повторному использованию материалов, из которых состоит прибор.

MILLEN активно участвует в сохранении окружающей среды:

- Осуществлен переход к использованию материалов, уменьшающих воздействие на окружающую среду в процессах производства и эксплуатации.
- В производстве применяются более экологически чистые хладагенты.
- Сокращено потребление энергии и воды, как в процессе производства техники, так и путем внедрения экономичных решений в модели техники.
- Используем перерабатываемые и переработанные материалы в производстве самой бытовой техники и в упаковке.

Техника MILLEN соответствует стандартам устойчивого развития и оценкам экологических характеристик.

Путаетесь в терминах, связанных с переработкой? Словарик всего из пяти слов поможет разобраться:



1. Разборка отходов – начальный этап переработки, когда из всего, поступившего для переработки, выбирают только то, что подходит для вторичного использования.



2. Сортировка отходов – уже отобранные элементы, детали, части корпусов сортируют в зависимости от материала изготовления: пластик, металл, стекло и т.д.



3. Рециклинг – применение отходов по прямому назначению, а также их возврат в производственный цикл (после определенной подготовки).



4. Утилизация отходов, брака, отслуживших изделий – их повторное применение, использование для изготовления чего-то нового, сюда входят и оказание услуг, и выполнение работ, и рециклинг.



5. Переработка – в отличие от утилизации это именно процесс превращения отходов в энергию или новую продукцию.

Для улучшения качества жизни на всех уровнях мы предлагаем каждому участвовать в экологичной утилизации – не выбрасывать, а сдавать отслужившую технику.



Manufacturer / Производитель:

Foshan Shunde Midea Washing Appliances Mfg. Co., Ltd. No. 20, Gangqian Road, Beijiao, Shunde, Foshan, Guangdong, 5 28311 P.R.C..

Importers:

Vybor Ltd, 197375, Russia, Saint Petersburg, Verbnaya street, 27A. Technoland Ltd, 19 7375, Russia, Saint Petersburg, Verbnaya street, 27A, 7-N (№ 8). Technomir LLC, 188640, Russia, Vsevolozhsk, Vsevolozhskiy avenue, 72.

Импортеры:

ООО «Выбор» (Vybor Ltd), 197375, Россия, г. Санкт-Петербург, ул. Вербная, д. 27, лит. А.
ООО «Технолэнд» (Technoland Ltd), 197375, Россия, г. Санкт-Петербург, ул. Вербная, д. 27, лит. А, помещ. 7-Н (№ 8).
ООО «Техномир» (Technomir LLC), 188640, Россия, г. Всеволожск, пр-кт Всеволожский, д. 72.

The serial number is indicated on the device in the following format: **SAAAAAYMMBBBBB**, where **SAAAAA** represents the model code, **YY** indicates the manufacturing year, **MM** represents the manufacturing month, and **BBBBB** indicates the model number within the batch.

Серийный номер указан на устройстве в следующем формате: **SAAAAAYMMBBBBB**, где **SAAAAA** — код модели, **YY** — год изготовления, **MM** — месяц изготовления, **BBBBB** — номер модели в партии.

www.millen.eu





الشركة المصنعة

Foshan Shunde Midea Washing Appliances Mfg. Co., Ltd. No. 20, Gangqian Road, Beijiao, Shunde, Foshan, Guangdong, 5 28311 P.R.C.

LEMAL L.L.C-FZ is the official importer and distributor of MILLEN kitchen appliances in the UAE.

Company Name:
LEMAL L.L.C-FZ

اسم الشركة

ليمال ش.ذ.م.م-منطقة حرة

مستوردين

مركز الأعمال 1، طابق الميزانين، فندق الميدان، ند الشبا، دبي، الإمارات العربية المتحدة



يتم توضيح رقم التسلسل على الجهاز بالتنسيق التالي: SAAAAAYMMBBBBB،

حيث SAAAAA يمثل رمز النموذج، YY

يشير إلى سنة التصنيع، MM يمثل شهر التصنيع، وBBBBB يشير إلى رقم النموذج في الدفعة.

www.lemal.ae



LEMAL.AE

الوصف	التسمية	الرقم
<p>تجفيف عالي جداً تجفيف شامل. للبرامج: MDW 451/601: تلقائي، مكثف، صديق للبيئة، زجاج، 90 دقيقة MDW 452/602: مكثف، قياسي، صديق للبيئة، زجاج، 90 دقيقة MDW 453: مكثف، قياسي، صديق للبيئة، زجاج، 90 دقيقة</p>	<p> </p>	9
<p>سريع يقلل من مدة عمل البرامج: MDW 451/601: جميع البرامج MDW 452/602، MDW 453/603: مكثف، قياسي، صديق للبيئة، زجاج، 90 دقيقة</p>	<p></p>	
<p>غسيل موفر للطاقة لغسل القليل من الأواني في البرامج: MDW 451/601: تلقائي، مكثف، صديق للبيئة، زجاج، 90 دقيقة MDW 452/453: مكثف، قياسي، صديق للبيئة، زجاج، 90 دقيقة MDW 603: مكثف، صديق للبيئة، زجاج، 90 دقيقة</p>	<p></p>	
<p>الفتح التلقائي للباب بعد اكتمال عملية الغسيل، سيفتح باب غسالة الصحون لتحقيق تأثير تجفيف أفضل للأواني. لبرامج MDW 602/603: تلقائي، مكثف، قياسي، صديق للبيئة، زجاج، 90 دقيقة. يمكنك إلغاء تنشيط الوظيفة بعد اكتمال عملية الغسيل، طالما أن المؤشر لا يضيء</p>	<p></p>	
<p>رشاش الماء العلوي يتم تنشيط فوهة الرش العلوية فقط، ولن تعمل فوهة الرش السفلية.</p>	<p></p>	10
<p>رشاش الماء السفلي يتم تنشيط فوهة الرش السفلية فقط، ولن تعمل فوهة الرش العلوية.</p>	<p></p>	

برامج التشغيل والوظائف في لوحة التحكم

المؤشرات

الوصف		التسمية	الرقم
تلقائي مختلف درجات التلوث		البرامج	6
مكثف تلوث شديد أو عادي			
قياسي تلوث عادي (الطناجر، الصحن، الأكواب، المقالي متسخة بعض الشيء)			
صديق للبيئة برنامج التوفير الأمثل لاستهلاك الطاقة والمياه	ECO		
زجاج تلوث بسيط للأواني الزجاجية			
90 دقيقة تلوث بسيط			
سريع تلوث بسيط بدون تجفيف			
شطف شطف الأواني التي تخطط لغسلها في وقت لاحق من اليوم			
تعرض وقت البدء/انتهاء برامج العمل، رموز الخطأ وما إلى ذلك.		شاشة العرض	7
منظف الشطف منظف الشطف قارب على النفاذ		المنظفات	8
ملح الملح قارب على النفاذ			
إمدادات المياه متوقفة صنبور الماء مغلق			
غسيل مكثف تلوث شديد جداً. للبرامج: MDW 451/601: تلقائي، مكثف، صديق للبيئة، زجاج، 90 دقيقة MDW 452/602: مكثف، قياسي، صديق للبيئة، زجاج، 90 دقيقة MDW 453/603: مكثف، صديق للبيئة، زجاج، 90 دقيقة		الوظائف	9

انتباه

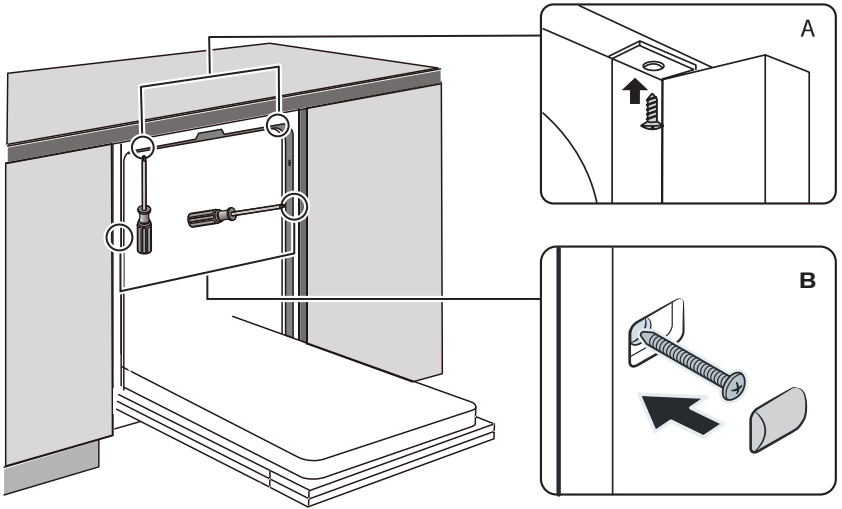
عند تسوية غسالة الصحون، احرص على أنها لن تنقلب.

ملاحظة

أقصى ارتفاع لضبط الأرجل هو 50 مم.

يجب أن تكون غسالة الصحون مثبتة بإحكام في مكانها. اعتمادا على المادة التي صنعت منها منضدة العمل، يجب استخدام طرق مختلفة:

- لمنضدة العمل القياسية: أدخل خطاف التثبيت في الفتحة الموجودة في المستوى الجانبي وثبته باستخدام براغي بمنضدة العمل.
- أما لمنضدة العمل المصنوعة من الرخام أو الجرانيت: ثبّت الجزء الجانبي باستخدام براغي.

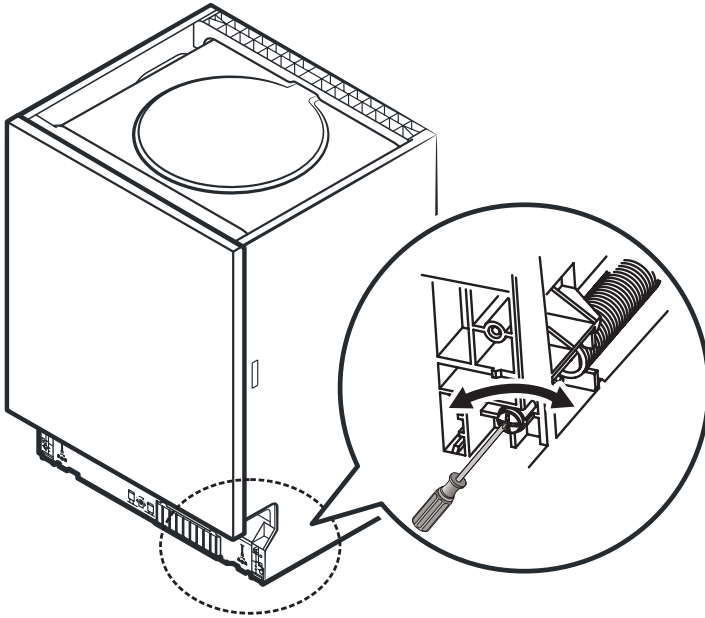


تعديل شد نابض الباب

بعد تثبيت اللوح على غسالة الصحون، حاول فتح وإغلاق الباب للتحقق من التوازن والتأكد من أن الباب في يتزحزح عن مكانه. إذا اقتضت الحاجة، اضبط شد الباب باستخدام البرغي عن طريق تدويره في اتجاه عقارب الساعة أو عكس اتجاه عقارب الساعة. وتكون نوابض الباب مثبتة من مصنع الشركة بحيث توفر شدا مناسباً للباب الخارجي. وعند تركيب اللوح الزخرفي، يجب ضبط شد الباب.

للقيام بذلك، تحتاج إلى تدوير البرغي الذي يحرك المنظم عن طريق سحب أوفك السلك الفولاذي.

يعتبر شد النابض مناسباً وصحيحاً عندما يكون الباب موازياً لمستوى الأرضية عند فتحه بالكامل، ولكن في نفس الوقت يمكن إغلاقه بسهولة عن طريق دفعه لأعلى بالإصبع.



محاذاة غسالة الصحون

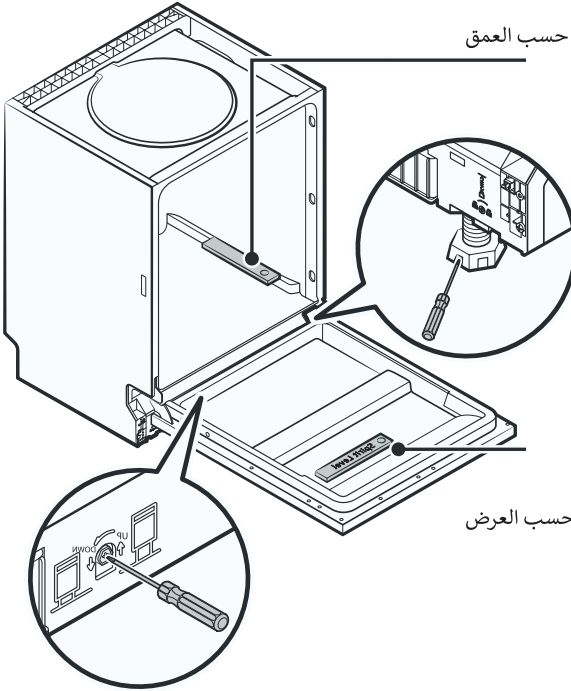
يتعين محاذاة غسالة الصحون من أجل التشغيل الصحيح للآليات الانزلاقية والغسيل الفعال للأطباق. وبمجرد تثبيتها، يمكن تغيير ارتفاعها عن طريق ضبط الأرجل. ضع ميزانا للتسوية على الباب وحامل الرف كما هو موضح في الرسم التوضيحي أدناه للتحقق مما إذا كانت غسالة الصحون

مستوية بدرجة كافية.

إذا لزم الأمر، قم بضبط مستوى غسالة الأطباق عن طريق تعديل الأرجل الثلاثة بشكل منفصل عن بعضها البعض. وتضبط

الأرجل الخلفية عن خلال تدوير البرغي الواقع في منتصف قاعدة غسالة الصحون. أما لضبط الأرجل الأمامية، استخدم مفك براغي مسطح الرأس: يتعين تدوير الأرجل حتى تصبح غسالة الصحون مستوية.

تحقق من استواء غسالة الصحون حسب العمق

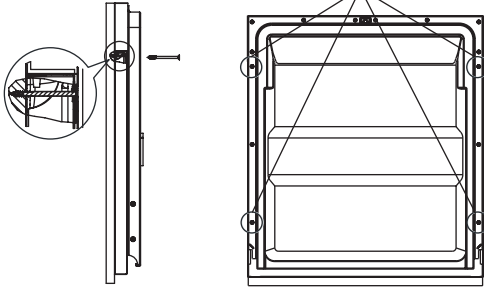


تحقق من استواء غسالة الصحون حسب العرض

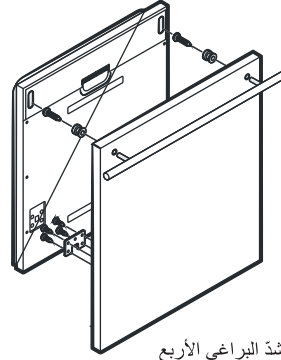
الخيار 2

ثبّت الخطاف على اللوح الزخرفي وأدخله في الفتحة الموجودة على الجزء الخارجي من باب غسالة الصحون (انظر الشكل A).
بعد تركيب اللوح الزخرفي، قم بتثبيتته في الباب الخارجي بالبراغي والمسامير (انظر الشكل B).

1. انزع البراغي الأربعة (4) القصيرة



B



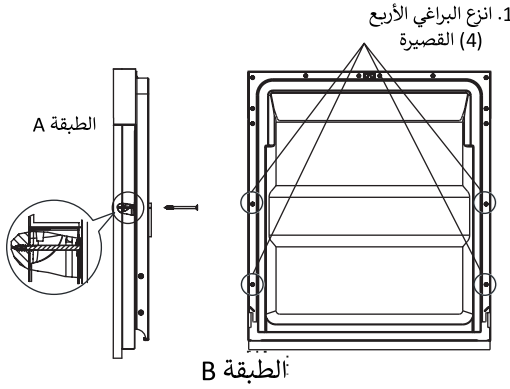
2. شدّ البراغي الأربعة
(4) الطويلة

تركيب اللوح الزخرفي على الباب

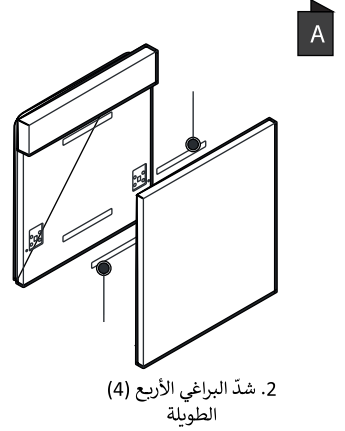
يتوفر خياران لتركيب اللوح الزخرفي وذلك اعتمادا على الطراز.

الخيار 1

يجب فصل الطبقات اللاصقة A و B، والطبقة A على اللوح الزخرفي والطبقة اللاصقة B على الجزء الخارجي من باب غسالة الصحون (انظر الشكل A). بعد تركيب اللوحة، قم بثبيتها على الجزء الخارجي من الباب باستخدام البراغي (انظر الشكل B).

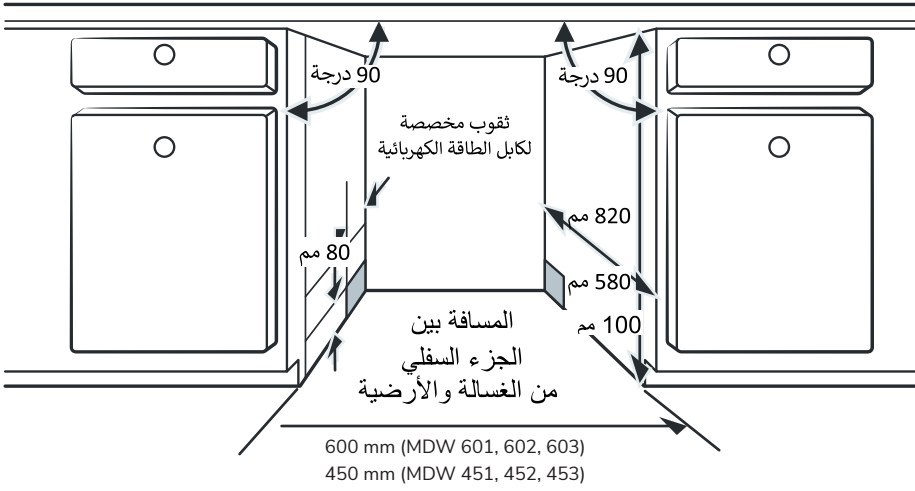


B



ملاحظة

قد تحتاج إلى عمل ثقب في الجانب الآخر من الخزانة، اعتمادا على مكان وجود مأخذ التيار الكهربائي.



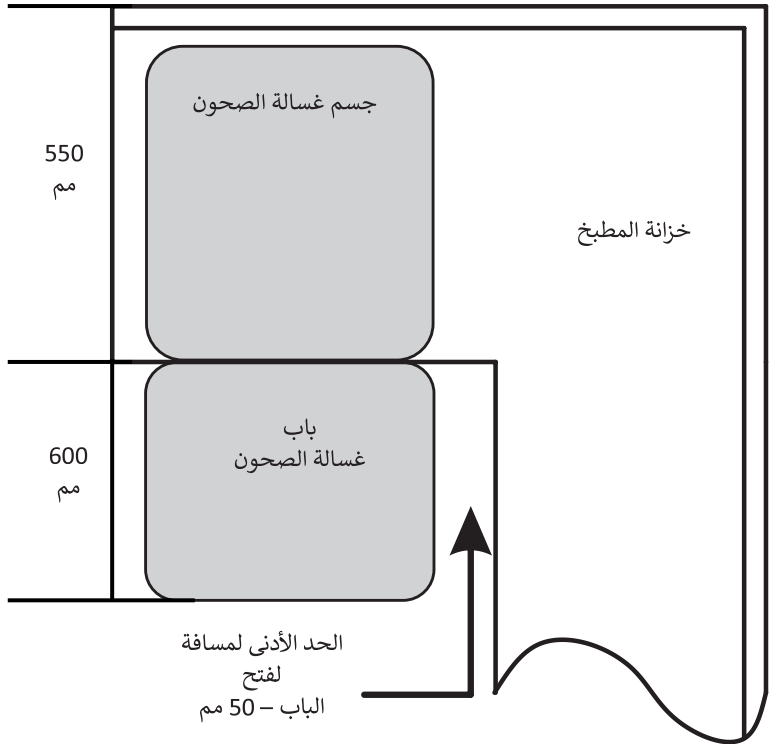
التركيب والضبط

قم بتركيب غسالة الصحون في المكان المطلوب. تكون غسالة الأطباق مزودة بخراطيم إمدادات المياه وأخرى لتصريفها والتي يمكن وضعها على اليمين أو اليسار لتسهيل عملية التركيب الصحيح. لا ضغط الخراطيم والكابلات، فهناك فتحات مخصصة لها في الأثاث. يرجى الانتباه إلى أن الوصول الحر إلى الجزء الخلفي من غسالة الصحون سيكون مغلقا بعد تركيبها (الحماية من لمس السطح الساخن).

التركيب

يجب أن يكون موقع تركيب غسالة الصحون بجوار أنابيب إمدادات المياه القائمة وخراطيم تصريف المياه، وكذلك منفذ الطاقة الكهربائية.

يجب ألا تقل المسافة بين الجزء العلوي من غسالة الصحون والخزانة عن 5 مم وأن يكون الباب الخارجي محاذيا للخزانة. في حالة تركيب غسالة الصحون في زاوية المطبخ فيجب ترك بعض المساحة لفتح الباب (انظر الشكل أدناه).

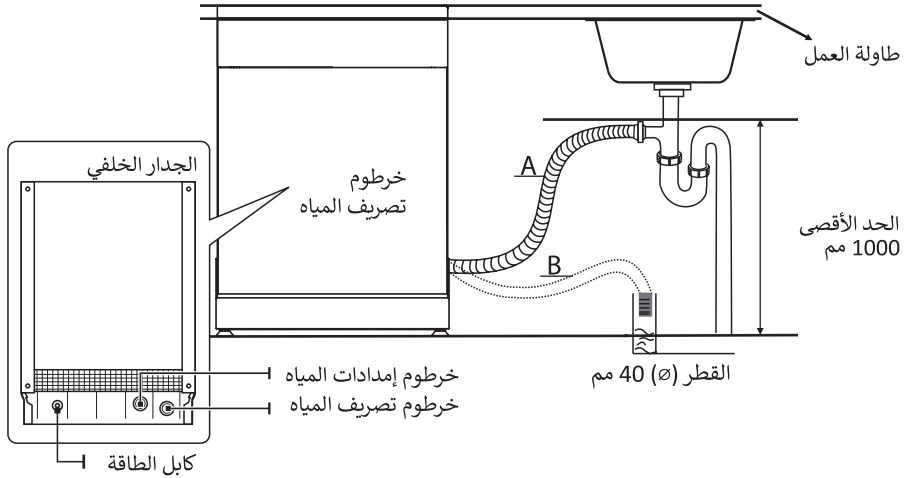


التوصيل بشبكة التيار الكهربائي

انتباه

خطر التعرض لصدمة كهربائية. يجب أن يقوم متخصص مؤهل بعملية تركيب الأنابيب والمعدات الكهربائية.

1. يرجى الرجوع إلى جدول البيانات الفنية للجهد المقدر وتوصيل غسالة الصحن بمصدر الطاقة المناسب.
2. يجب استخدام فيوز 16/13/10 A. يوصى باستخدام فيوز ذو تأخير زمني أو قاطع دائرة وتوفير دائرة منفصلة مخصصة لهذا الجهاز فقط.
3. تأكد من أن جهد مصدر الطاقة وتردده يتوافقان مع القيم الموجودة في جدول البيانات الفنية.
4. يمنع توصيل قابس الجهاز إلا في مأخذ كهربائي مؤرض بشكل صحيح. إذا كان مأخذ التيار الكهربائي الذي سيتم توصيل غسالة الصحن به لا يفي بمتطلبات التوصيل المذكورة أعلاه، فيجب استبدال المنفذ.
5. يمنع استخدام محولات أو أجهزة مماثلة لأنها قد تتسبب في ارتفاع درجة حرارة الجهاز وبالتالي التسبب بالحروق.
6. يمنع تحت أي ظرف من الظروف قطع أو فصل موصل التأريض من كابل الطاقة.



توصيل خرطوم تصريف المياه

1. أدخل خرطوم تصريف المياه بمنفذ التصريف ذي القطر الذي لا يقل عن 4 سم، ويجب أن يكون ارتفاع (حلقة) الأنبوب 40 سم على الأقل وألا يزيد عن 100 سم عن مستوى الأرضية. كما لا ينبغي غمر الطرف الحر للخرطوم في الماء لتجنب التدفق العكسي. ويجب عدم الضغط على الخرطوم عند تركيب غسالة الصحون. ثم تأكد من إحكام ربط الطرف الحر للخرطوم عند دفع غسالة الصحون إلى مكانها! إذ يجب أن يكون لموصل خرطوم تصريف المياه بنية صلبة
2. تُثبت خرطوم تصريف المياه في الموضع «A» أو «B» بإحكام.

تصريف المياه الزائدة من الخراطيم

1. إذا كانت المغسلة مثبتة على ارتفاع يزيد عن 1 متر أو أقل من 40 سم من مستوى الأرضية، فيجب عدم تصريف المياه الزائدة من الخراطيم مباشرة فيها. وفي هذه الحالة من الضروري تصريفها في وعاء ذو حجم مناسب، يقع خارجها، أسفل مستوى المغسلة.
2. يجب توصيل خرطوم تصريف المياه بشكل صحيح لتجنب تسرب المياه. تأكد من أن الخرطوم غير مثني أو مضغوط.
3. إذا كانت هناك حاجة لجعل خرطوم تصريف المياه أطول، فمن الضروري استخدام خرطوم تصريف مماثل.
4. يجب ألا يزيد طول الخرطوم عن 4 أمتار، وإلا فقد تقل كفاءة التنظيف في غسالة الصحون.
5. يجب ألا يقل ارتفاع وصلة تصريف المياه عن 40 سم ولا تزيد عن 100 سم من قاع المغسلة. يجب أن يكون خرطوم تصريف المياه مؤمنا على النحو الصحيح.

توصيل غسالة الصحون بخرطوم إمداد المياه وخرطوم التصريف

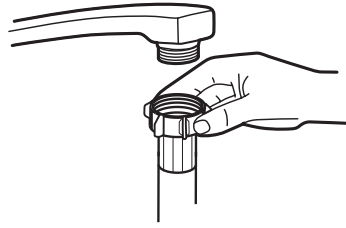
التوصيل بخرطوم الماء البارد

1. إذا كانت أنابيب المياه جديدة أو غير مستخدمة لفترة طويلة، فأنت بحاجة إلى تمرير المياه من خلالها والتأكد من نظافتها. وتعتبر هذه العملية ضرورية لتجنب انسداد خرطوم إمدادات المياه وبالتالي حدوث تلف للجهاز.
2. قم بتوصيل خرطوم إمدادات المياه الباردة بمنفذ التوصيل ذي المقاس 4/3 بوصة وتأكد من تثبيته بإحكام في مكانه.

يتمتع خرطوم التصريف المخصص لإمدادات المياه بجدار مزدوج. ويضمن نظام الخرطوم هذا سلامة تشغيله عن طريق منع تدفق المياه في حالة حدوث تمزق الخرطوم أو ملء الفراغ الهوائي بين خرطوم الإمداد الداخلي والخرطوم المموج الخارجي بالمياه (نظام «AquaStop»).



نظام الحماية ضد التسربات «AquaStop»



خرطوم إمدادات المياه العادي

انتباه

قد ينفجر الخرطوم الذي يتم توصيله بصنوبر المغسلة إذا تم تثبيته على نفس خط المياه المخصص لغسالة الصحون. إذا كانت المغسلة موصولة بمثل هذا الخرطوم، فمن المستحسن فصله وغلق الفتحة.

تشتمل عملية توصيل خرطوم إمدادات المياه الآمنة على الخطوات التالية:

1. سحب خراطيم الأمان تماما خارج حجرة التخزين في الجزء الخلفي من غسالة الأطباق.
2. ومن ثم توصيل خرطوم أمان إمدادات المياه بالصنوبر ذي المقاس 4/3 بوصة وشد البراغي.
3. قبل بدء تشغيل غسالة الأطباق، افتح الماء تماما.

يتضمن فصل خرطوم إمدادات المياه الآمن الخطوات التالية:

1. فصل المياه.
2. فك خرطوم إمدادات المياه الآمن من الصنوبر.

التركيب والتوصيل

انتباه

يجب أن تكون جميع خطوات التركيب متناسقة مع رسومات التركيب.

1. إذا لزم الأمر، قم بتركيب حاجز البخار ذو القاعدة اللاصقة بأسفل سطح العمل. وتأكد من أن الحاجز موجود في مستوى واحد مع حافة سطح العمل.
2. قم بتوصيل خرطوم الإدخال بمصدر إمداد الماء البارد.
3. قم بتوصيل خرطوم الصرف.
4. قم بتوصيل سلك الطاقة.
5. ضع غسالة الصحنون في مكانها.
6. اجعل غسالة الصحنون مستوية غير مائلة. يمكن ضبط الجزء الخلفي من خلال تدوير البرغي الواقع في منتصف الجزء الأمامي من قاعدة غسالة الصحنون. أما لضبط الأرجل الأمامية، استخدم مفك براغي مسطح الرأس واعمل على تدويره حتى تصبح غسالة الصحنون مستوية.
7. ثبّت باب الأثاث على باب غسالة الصحنون.
8. اضبط شد نوابض الباب باستخدام المفتاح السداسي، وقم بتدويره في اتجاه عقارب الساعة لتشديد نوابض الباب الأيمن والأيسر. وقد يؤدي عدم الامتثال لهذا المطلب إلى تلف غسالة الصحنون.
9. يجب أن تكون غسالة الصحنون مثبتة بإحكام في مكانها. وتتوفر طريقتان للقيام بذلك:
أ. بالنسبة لطاولة العمل العادية، أدخل خطاف التثبيت في الفتحة الموجودة على المستوى الجانبي وثبّته على سطح العمل باستخدام البراغي.
ب. بالنسبة لطاولة العمل المصنوعة من الرخام أو الجرانيت، ثبّت الجزء الجانبي ببرغي.

انتباه

لتجنب تعطل غسالة الصحنون، قبل توصيلها في حالة إحضارها في الطقس البارد، من الضروري إخراجها من عبوتها وتركها في درجة حرارة الغرفة لمدة ساعتين (2) على الأقل.

التوصيل والتركيب والتوصيل.....	118
توصيل غسالة الصحون بخرطوم إمداد المياه وخرطوم التصريف.....	117
التوصيل بشبكة التيار الكهربائي.....	115
التركيب والضبط.....	114
تركيب اللوح الزخرفي على الباب.....	112
محاذاة غسالة الصحون.....	110
تعديل شد نابض الباب.....	109
برامج التشغيل والوظائف في لوحة التحكم.....	107



دليل المستخدم

MDW 451 | MDW 452 | MDW 453
MDW 601 | MDW 602 | MDW 603

AR

غسالة الأطباق المتكاملة

