



P.I.T.®
Progressive Innovative Technology

EN PRODUCT PASSPORT
USER'S MANUAL

RU ПАСПОРТ ИЗДЕЛИЯ ИНСТРУКЦИЯ
ПОЛЬЗОВАТЕЛЯ

SQUARE SANDER

ПЛОСКОШЛИФОВАЛЬНАЯ МАШИНА



EAC

PSP300-C

PROGRESSIVE INNOVATIONAL TECHNOLOGY

ПРОГРЕССИВНЫЕ ИННОВАЦИОННЫЕ ТЕХНОЛОГИИ



PRODUCT SPECIFICATIONS

Specifications	Orbital sander
Model	PSP300-C
Capacity, W	300
Stroke frequency, vibrations per minute	6,000-11,000
The size of the grinding base, mm	90x187
Rated voltage, V	220 V
Rated frequency, Hz	50
Tool class	Utility-type
Net/gross weight, kg	2.0/2.2
Protective system	II
Noise level (LWAd), dB (A)	73
Vibration (vibratory acceleration), m/sec ²	<1.77

STANDARD SET (the complete set can differ from the declared)

Item	Quantity, pcs.
Orbital sander	1
Dust collector	1
Adapter for vacuum cleaner	1
Abrasive sheet	1
Manual	1



Attention! Before you start operating with the tool, carefully read the manual, get familiar with the construction, control methods and rules for the tool safe operation. Keep these manual and instructions for future reference. Keep these manual with the power tool.

Attention! Follow the instructions for use and safety!

INTENDED USE

Orbital sander is designed for finishing of various surfaces, grinding of wooden, plastic, metal parts, as well as synthetic and composite materials, removal of old coatings. The orbital sander is designed for dry surface treatment. The tool is the utility-type and is designed to perform small amounts of work. It is recommended to use the tool at a temperature of +0°C to + 40°C. Do not use the tool for purposes that it is not intended.

EXPLANATION OF P.I.T. TRADEMARK

P.I.T. Progressive Innovational Technology

Currently, 10 kinds of mechanical and electrical equipment are produced under the P.I.T. trademark.

Each letter and number in the designation of the orbital sander of P.I.T has the meaning.

PSP300-C

P – Trademark of P.I.T.

SP – Orbital sander

300 – Capacity

C – Modification series

Functional capabilities and Features

Functional capabilities:

Final treatment and grinding of surfaces

Features:

- Reliable two-way clamping mechanism
- Plastic dust collector container
- The aluminum base flange with soft grip
- Multiple ventilation holes for quick cooling
- Convenient design
- Speed adjustment
- Easy to use

GENERAL SAFETY PRECAUTIONS

STORAGE CONDITIONS:

It is necessary to store the electric tool in the dry room equipped with special racks, shelves, the boxes providing its safety. Keep away from heat and sunlight.

The power tool should be stored in the warehouse in the package. Without packaging, the power tool can only be stored in a single row.

TRANSPORTATION CONDITIONS:

It is necessary to transport the power tool carefully with observance of the measures excluding possibility of its damage. In covered vehicles in accordance with the rules of goods transportation applicable to this type of transport. With height not more than 2.5 meters, in transport packaging. It is forbidden to transport the power tool together with metal details and products.

UTILIZATION CONDITIONS:

Overage power tools, accessories and packaging should be handed over for environmentally friendly waste recycling. Do not dispose of power tools into domestic waste containers!

SAFETY OF PEOPLE:

• It is forbidden to operate with a tool for people, who are sick, tired or under the influence of drugs, narcotic substances and alcoholic beverages. Be careful and think over your actions. Inattention, alcohol, narcotics and certain types of drugs lead to the risk of injury.

• Store tool in locations inaccessible for children. Do not allow children to play with the tool, it can lead to injuries.

• When working with the grinder, make sure that the work surface does not touch your skin or any parts of the body. Keep your hands away from the work area. Contact with the grinding platform may result in personal injury.

• Before starting work, make sure that people, children and animals are at a sufficient distance from your work place. Keep an eye on children; do not let them play near an operating power tool. The person operating the tool is liable for any damage caused to third parties affected by the power tool.

• Use personal protective equipment when working with the tool. Use protective glasses, mask for respiratory protection, and shoes with antiskid soles, ear protection, and protective helmets. The use of personal protective equipment reduces the risk of injury.

• Keep your workplace clean. Remove unused tools from the work place. Before turning on the tool, make sure that there are no installations or spanners or other tools in the work area. If the hand tool enters to the operating area of the tool moving parts, it may cause injury.

• Before plugging into the socket, make sure that the on/off button of the tool is not in the "on" position - this will save you from accidentally starting the tool and getting injured.

• When working with the tool, make sure that you are comfortable. Properly distributed load will allow you to remain in a stable position in the event of unforeseen situations and reduce the risk of injury.

• Use specially designed work clothes. Avoid wearing too loose clothes, remove apparels, and cover long hair. Make sure that the clothes or hair is sufficiently far away from the tool moving parts.

- The tool cannot be used by children under 16 years of age, persons with limited physical, sensory or mental abilities, people with insufficient experience, knowledge who have not studied this manual.

ELECTRICAL SAFETY

- Before operating the tool, make sure that it will be connected to a power source with a voltage indicated on the label located on the tool. Additional information about the voltage and current frequency is placed on the plug of the tool.
- A power tool designed to work with a voltage of 230-240 V can also work with a voltage of 220 V \pm 5%.
- The tool must be powered through automatic machine with the operating current of no more than 30 mA.
- Ensure that the tool is plugged into the socket. It is forbidden to make changes to the design of the plug. Using original plugs and serviceable sockets reduces the risk of electric shock to the tool operator.
- When connecting the tool, avoid contact with grounded objects; try not to touch water pipes, heating elements, and large household appliances.
- Do not leave the tool in the rain. Do not use power tools in rooms with high humidity. Liquids trapped in the tool increase the electric shock risk.
- Avoid contaminating the tool. Contaminants entering the tool may increase the electric shock risk.
- Use the tool cord only for its intended purpose. Do not carry the tool by holding the cord. Never pull the cord while trying to pull the plug out of the socket. Keep cord away from heat, oil and sharp objects. Keep the cord away from the power tool. Inspect the power cord regularly, repair it immediately if it is damaged, and contact an authorized service representative. A damaged or tangled cord may increase the electric shock risk.
- In the event of a malfunction, do not attempt to repair the tool yourself; consult a professional staff in a service workshop. Attempts to repair the tool yourself are dangerous and may cause an electric shock.

PRECAUTIONS FOR THE TOOL OPERATING

- If the tool is equipped with additional handles, be sure to use them to create an additional stop, this will make it easier to control the tool.
- Workloads must be calculated correctly when working with the tool. Do not work with overload. Choose a tool designed specifically for the power that you need. Do not use low power tools for heavy work. In the case of the need to perform heavy work, use a tool designed for such work.
- The tool is not designed for continuous operation. Work intermittently. Periodically check if the tool has overheated. Use the tool strictly for its intended purpose. Remember that operating the tool in overload conditions increases the likelihood of damage to the tool and may lead to an accident.
- If a dust collector is supplied with the tool, be sure to connect it and make sure that the device is working properly.
- Observe the proper operation of the on/off control. Do not use a tool with a faulty on/off control. A tool with a faulty on/off control is potentially dangerous and may cause injuries; such a tool must be delivered to a technical service center for repair.

- If you need to replace the accessory or adjust the tool, turn off the tool with the on/off control, and then disconnect the plug from the mains. This measure will avoid inadvertent energization of the tool and getting injuries.
- Avoid inadvertent energization; do not carry the tool connected to the mains while holding your finger on the on/off control. After operation completion, turn off the tool, and then unplug the plug from socket.
- The storage of the tool must not be accessible to children and persons who are not familiar with the rules for tool using, and this manual. Use of the tool by unqualified personnel may result in personal injury.
- Try to closely monitor and care for the tool. Regularly check the working ability of the tool, watch for the absence of external and internal damage, the presence of indirect indicators of internal mechanisms improper operation and the presence of extraneous noise when the tool is operating. If breakages and damages are found, they must be eliminated before work commences to eliminate the risk of accidents.
- Monitor the status of the accessory.
- In no circumstances should you attempt to operate a faulty tool, even if it is possible.
- Monitor tool status. The handles must be dry; the handles should be no traces of oil and grease on them.
- Use tools and accessories only in accordance with the manual. Using the tool when performing work for which it is not intended may cause an accident.
- DO NOT turn on the instrument in the presence of flammable and explosive substances (liquids, gases, and powders).
- When operating this tool, the operator is exposed to vibration. Long-term exposure to local vibration may cause to tingling or numbness in the fingers and the entire hand. If the above phenomena occur, stop operating immediately. Regular prolonged exposure to local vibration can cause diseases affecting various human organs: blood vessels, nervous system, bones, movable joints, muscles, connective tissue of the hand and forearm. Do not use the tool for a long time; limit the time to operate with the tool. If the symptoms listed above, consult your doctor.
- Do not work with an orbital sander for pregnant women, people with poor blood circulation in the limbs, people with arm injuries, diseases of the nervous system or people with diabetes.

WORKPLACE

- Avoid disorder in the workplace. Work in a well-lit room. Disorder and bad light may cause an accident.
- Do not work in highly explosive conditions, in dusty rooms, in rooms with flammable liquids and flammable gases. During the operation of the power tool, sparks may be formed that can lead to explosions of dust and vapors of flammable liquids, as well as ignition of flammable materials.
- Keep your workplace clean. Mixtures of some materials and non-ferrous metal dust can ignite and explode.
- Do not allow children, animals and unauthorized persons to distract the operator from work in the area where the power tool operates. Be attentive, watch your actions. Inattention while working with power tools may cause injury.

ATTENTION! The use of fixings or accessories not recommended in this manual may cause injuries!

SERVICE

- Timely carry out maintenance work, keep the tool clean.
- The tool case should be cleaned with a damp cloth; solvents should not be used. After cleaning, the tool should be completely dried.
- Trust tool repair only for qualified personnel at a certified technical service center.
- Use only original spare parts recommended by the manufacturer for repair.
- In the event of a tool breakage, contact a certified technical service center indicated on the warranty card.

SAFETY RULES FOR WORKING WITH ORBITAL SANDER

- Observe the general rules for working with the tool (carefully read the “SAFETY OF PEOPLE” and “PRECAUTIONS WHEN OPERATING THE TOOL”)

ATTENTION! Always wear safety glasses with side covers when working. Formed during grinding dust and fragments of material can damage the organs of vision. Use special ear protectors. Exposure to noise can damage your hearing.

- Before starting operation, check that the abrasive paper is securely locked in the chuck. Never use the tool without abrasive paper.
- Carefully monitor the condition of the abrasive paper. Do not work with damaged or worn abrasive paper - this will damage the grinding base.
- Use the tool only for grinding dry surfaces. The design of the tool does not allow moisture inside the case. It is forbidden to use any liquids when operating with a grinding machine.
- Pay particular attention to the presence of good ventilation. When working with an orbital sander, there is a danger of inhalation of dust containing hazardous substances. Also, some types of dust are explosive. Sparks associated with the operation of tool may cause a fire or explosion.
- Some types of dust can cause allergic reactions not only when inhaled, but also when touched. It is recommended to use a protective mask for the respiratory organs and gloves to protect the hands.
- Wear gloves when replacing abrasive paper. Work surfaces may be hot and cause burns.
- Be careful when grinding previously painted surfaces. Watch the surface temperature; do not allow the coating to be removed to become excessively hot.
- For removal of coatings containing lead compounds, use protective masks designed to protect against lead compounds. All personnel located in the workplace should use special masks for respiratory protection. Lead compounds, lead dust, lead vapors are hazardous to health. Children and pregnant women should not be in rooms where lead compounds are sprayed in the air. It is forbidden to eat, drink and smoke in areas contaminated with lead vapor.
- Never treat surfaces containing asbestos. Asbestos dust is extremely dangerous for health and can cause cancer.
- When operating with tools, the work surface may become very hot. Carefully monitor the temperature of the treated surface and the temperature of the waste in the dust collector. Clean the dust collector in time, keep the working area clean. A significant increase in temperature can lead to a fire hazard.

Treating hot surfaces with flammable liquids, including paints, varnishes, solvents, can lead to fire. Keep flammable liquids away from temporary storage of dust and polishing waste.

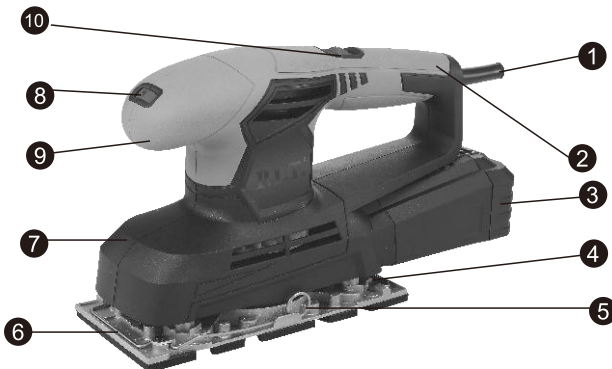
- To optimize operation with small parts, fasten the workpiece in the jaws or other clamping device - this will increase productivity and make your work more secure.
- If possible, connect the tool to a vacuum cleaner to collect dust. After completion of the operation, make sure that the waste is disposed of in an environmentally friendly way.

Recommendations for maintenance and cleaning tools:

- Remove accumulated dust in a timely manner; pay special attention to cleaning the ventilation holes on the tool case.
- When servicing, use only parts that are completely identical to replaceable ones.
- Do not attempt to make adjustments while the tool is operating.
- If the tool has been in the cold for a long time, allow it to warm to room temperature before use.

MAINTENANCE

Remove tools and accessories from packaging. Carefully study the assembly according to the attached manual.



1. Power cord
2. Power indicator
3. Dust collector
4. Rear abrasive paper retainer
5. Flange of the grinding base
6. Front abrasive paper retainer
7. The case of the orbital sander
8. Vibration frequency controller
9. Front handle
10. On/Off control for orbital sander

PRE-STARTING PROCEDURE

Turn off the power before performing any maintenance on the tool. Before you start, you need to fix the abrasive paper with clips:

1. Turn the abrasive paper retainers (4, 6) to the open position.
2. Take the abrasive paper sheet of suitable size and grit, and place it on the sole of the grinding base (5). Make sure that the holes in the paper match the holes on the grinding base.
3. Wrap the edges of the paper over the edge of the grinding base and secure them with clips.
4. Verify that the paper is secure and that the holes in the paper match the holes in the base.



ATTENTION! Abrasive paper must tightly against the surface of the grinding base!

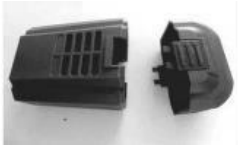
DUST REMOVAL SYSTEM

The orbital sander is equipped with a dust removal system.

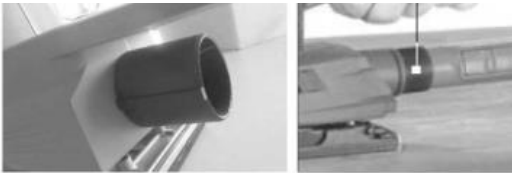
1. A plastic dust collector (3) is provided for collecting dust. To install the dust collector, simply attach it to the tool and press lightly in the direction of the arrow. To remove the dust collector, you must press the dust removal button and remove it.



During the work with a dust collector it is necessary to watch carefully filling of a dust collector and often to clear it of dust. Before cleaning the dust collector, it is necessary to remove it and lightly tap the walls to knock off the dust accumulated on the built-in filter.



2. If it is possible to work with a vacuum cleaner, it is necessary to remove the plastic dust collector and connect the vacuum cleaner hose instead. Watch out for the proper functioning of the filtration system of the vacuum cleaner! Some types of dust may be hazardous to health. The use of a vacuum cleaner to collect dust increases the service life of the abrasive paper sheets and improves the quality of the grinding surface.



POWERING ON THE TOOL

To turn on the tool, press the on/off control (10) located on the left side of the handle. To turn off the tool, press the on/off control (10) located on the right side of the handle.



VIBRATION FREQUENCY ADJUSTMENT

The frequency of vibration of the grinding base can be adjusted using the vibration frequency controller (8). Before you start, select the desired frequency for each type of operation, turning the frequency knob to the desired value. Figure 1 corresponds to the minimum frequency of vibration, 6 - maximum. For grinding of plastic it is better to use low speed.



RULES OF OPERATION

Before start grinding, inspect the work area. Remove all screws, nails and other fasteners - they can cause mechanical damage to the grinding base. Move the vibration grinder in parallel movements along the surface to be treated.

Do not use force to press the tool, hold it lightly, but firmly. With a strong pressure on the vibration grinder, the flange of the grinding base will quickly fail and the productivity of operation will decrease.

After operation, clean the grinding base with a vacuum cleaner.

The speed and productivity of grinding depends on the frequency of vibration chosen by you and abrasive paper grits attached to the tool.

Use different types of abrasive paper for different materials. Recommendations for the selection of abrasive paper are listed below:

Material	Abrasive paper (grit)
Grinding of wooden surfaces	40-240
Draft grinding: rough initial processing, processing of unpolished timber and planks	40, 60
Grinding	80, 100, 120
Finish polishing and polishing of solid woods	180,240
Removal of various coatings	40-320
Removing of paint coatings	40, 60
Removing of primers	80, 100, 120
Final grinding before applying primer or paint	180,240,320

MAINTENANCE AND CLEANING

Attention! Turn off the tool and unplug it before servicing and cleaning.

It is necessary to clean the tool regularly, preferably immediately after use. Keep the ventilation holes clean and thoroughly clean them from dust and other contaminants. If necessary, use a soft, damp cloth to clean dust and dirt from the air vents. Never use gasoline, solvents, acids or other corrosive liquids to clean the tool.

You can use a vacuum cleaner to thoroughly clean the tool from dust. Sticky dust and grinding waste can be removed with a scrub or a brush.

Never use sharp objects to clean the tool. Do not let liquids get inside the case.

Remember that the ventilation holes of the tool must always be clean so that air can flow freely into the tool to cool the mechanism.

POSSIBLE CAUSES OF FAILURES

Issue	Possible reason	Troubleshooting
Engine does not start	1. No mains voltage 2. Broken on/off control 3. Damaged power cord or extension cord 4. Carbon brushes worn	1. Check for mains voltage 2. Contact the service center to replace the switch. 3. Check the power cord and extension cord. To replace the power cord, contact the workshop. 4. Replace carbon brushes
Increased sparking at the collector <small>STORAGE RECOMMENDATIONS</small>	1. Worn carbon brushes 2. The collector is dirty 3. Faulty stator winding	1. Replace carbon brushes 2. Contact the technical service center 3. Contact the technical service center
The engine makes an unusual noise or runs slowly, overheats.	1. Engine out-of-service 2. Base received mechanical damage 3. Engine overloaded 4. Higher / lower voltage	1. Contact the technical service center 2. Check the tool for damage. 3. Reduce pressure on the tool. 4. Use a voltage stabilizer
Gearbox too hot	1. There is not enough lubrication in the gearbox 2. Gearbox grease contaminated 3. Foreign inclusions in gearbox lubrication	1. Contact the technical service center 2. Contact the technical service center 3. Contact the technical service center

In case of other malfunctions, including the appearance of extraneous noise, smell of smoke, etc., immediately stop using the tool and contact a certified technical service center.

Repair of power tools should be made in a certified technical service centers. Any interference with the mechanism of unqualified personnel may cause to serious damage, the risk of electric shock and injury.

STORAGE RECOMMENDATIONS

- Before sending the tool for long-term storage, thoroughly clean it from dust and dirt, make sure that moisture does not get onto the tool, and the storage room for the tool is dry.
- Keep the tool out of the reach of children, in a dry place.
- Avoid areas with too high or low temperatures. The storage temperature of the tool should be from + 5 ° C to + 40 ° C.
- Protect the tool from direct sunlight. It is better to store the tool in the dark or dimly lit room.
- Do not store the tool in a plastic bag; this may increase the humidity, which is undesirable for an electric tool.

P.I.T. reserves the right to make changes in the design and technical characteristics of its products without prior notice.

TERMS OF WARRANTY SERVICE

1. This Warranty Certificate is the only document that confirms your right to free warranty service. Without presenting this certificate, no claims are accepted. In case of loss or damage, the warranty certificate is not restored.
2. The warranty period for the power tool is 12 months from the date of sale, during the warranty period the service department eliminates manufacturing defects and replaces parts that have failed due to the fault of the manufacturer free of charge. In the warranty repair, an equivalent operable product is not provided. Replaceable parts become property of service providers.

P.I.T. is not liable for any damage that may be caused by operation of the electric machine.

3. Only clean tool accompanied with the following duly executed documents: this Warranty Certificate, Warranty Card, with all fields filled out, bearing the stamp of the trade organization and the signature of the buyer, shall be accepted for warranty repair.

4. Warranty repair is not performed in the following cases:

- in the absence of a Warranty Certificate and a Warranty Card or their incorrect execution;
- with failure of both a rotor and a stator of the electric engine, charring or melting of primary winding of the welding machine transformer, charging or starting-charging device, with internal parts melting, burn down of electronic circuit boards;
- if a Warranty Certificate or a Warranty Card does not correspond to this electric machine or to the form established by the supplier;
- upon expiration of the warranty period;
- at attempts of opening or repair of the electric machine outside the warranty workshop; making constructive changes and lubrication of the tool during the warranty period, as evidenced, for example, by the creases on the spline parts of the fasteners of non-rotational parts.
- when using electric tools for production or other purposes connected with making a profit, as well as in case of malfunctions related to instability of the power network parameters exceeding the norms established by GOST;
- in the events of improper operation (use the electric machine for other than intended purposes, attachments to the electric machine of attachments, accessories, etc. not provided by the manufacturer);
- with mechanical damage to the case, power cord and in case of damages caused by aggressive agents and high and low temperatures, ingress of foreign objects in the ventilation grids of the electric machine, as well as in case of damage resulting from improper storage (corrosion of metal parts);
- natural wear and tear on the parts of the electric machine, as a result of long-term operation (determined on the basis of the signs of full or partial depletion of the specified mean life, great contamination, presence of rust outside and inside the electric machine, waste lubricant in the gearbox);
- use of the tool the purposes for other than specified in the operating instructions.
- mechanical damages to the tool;
- in the event of damages due to non-observance of the operating conditions specified in the instruction (see chapter "Safety Precautions" of the Manual).
- damage to the product due to non-observance of the rules of storage and transportation.

Preventive maintenance of electric machines (cleaning, washing, and lubrication, replacement of anthers, piston and sealing rings) during the warranty period is a paid service.

The service life of the product is determined by the manufacturer and is 2 years from the date of manufacture,

The owner is notified of any possible violations of the above terms of warranty service upon completion of diagnostics in the service center.

The owner of the tool entrusts the diagnostic procedure to be conducted in the service center in his absence.

Do not operate the electric machine when there are signs of excessive heat, sparking, or noise in the gearbox. To determine the cause of the malfunction, the buyer should contact the warranty service center.

Malfunctions caused by late replacement of carbon brushes of the engine are eliminated at the expense of the buyer.

5. The warranty does not cover:

- replacement of parts (accessories and furniture), for example: accumulators, disks, knives, drills, bores, cartridges, chains, sprockets, collet clamps, buses, tensioning elements and fasteners, trim tabs, pads of grinders and tape machines, etc.
- quick-wear parts, for example: carbon brushes, drive belts, glands, protective covers, guide rollers, guides/rails, rubber seals, bearings, timing belts and wheels, shafts, brake band, ratchet wheels and starter cables, piston rings, etc. Replacing them during the warranty period is a paid service.
- power cords, in case of insulation damage, power cords are subject to mandatory replacement without the consent of the owner (paid service),
- casing of machine.

P.I.T. WARRANTY CERTIFICATE

Product Name _____

Product Number □□□□□□□□□□

Place of Seal

Serial Number □□□□□□□□□□□□

Sale Date _____

Trade Organization Name _____

Dear customer!

Thank you for purchasing the P.I.T tool, and we hope that you will be satisfied with your choice. In the process of manufacturing the P.I.T tools pass multilevel quality control, if nevertheless your product will need maintenance, please contact the authorized P.I.T service centers.

Attention!

When buying, ask a seller to check the completeness and operability of the tool, to fill out the Warranty Certificate, the Warranty Card (the boxes shall be filled out by a seller) and to affix the seal of the trade organization in the Guarantee Certificate and the Warranty Card.

Warranty

By this Warranty Certificate, P.I.T. company guarantees the absence of defects of the production nature.

In the event any of the above defects are detected during the warranty period, the specialized P.I.T. service centers shall repair the product and replace the defective spare parts free of charge.

The warranty period for P.I.T. electric machines is 12 months from the date of sale.

“The warranty maintenance terms acknowledged and accepted. The operability and completeness of the product are checked in my presence. No claims on quality and appearance.”

Buyer’s Signature _____ Surname (legibly) _____

Phone _____



ТЕХНИЧЕСКИЕ ХАРАКТЕРИСТИКИ

Характеристики	Виброшлифовальная машина
Модель	PSP300-C
Мощность, Вт	300
Частота хода, колебаний/мин	6000-11000
Размер шлифовальной платформы, мм	90x187
Номинальное напряжение, В	220В
Частота сети, Гц	50
Класс инструмента	бытовой
Вес нетто/брутто, кг	2,0 / 2,2
Степень электрической защиты	II
Уровень шума (звуковое давление), дБ(А)	73
Вибрация (виброускорение), м/с ²	<1,77

КОМПЛЕКТ ПОСТАВКИ(комплектация может отличаться от заявленной)

Наименование	Кол-во, шт
Виброшлифовальная машина	1
Пылесборник	1
Адаптер для пылесоса	1
Шлифовальный лист	1
Инструкция	1



Внимание! Перед началом работы с инструментом тщательно изучите инструкцию, ознакомьтесь с конструкцией, способами управления и правилами безопасной работы с инструментом. Сохраняйте эту инструкцию и указания для будущего использования. Храните данную инструкцию вместе с электроинструментом.

Внимание! Соблюдайте указания по применению и технику безопасности!

НАЗНАЧЕНИЕ

Плоскошлифовальная машина предназначена для финишной обработки различных поверхностей, шлифовки деревянных, пластиковых, металлических деталей, а также синтетических и композитных материалов, снятия старых покрытий. Шлифовальная машина предназначена для сухой обработки поверхностей. Инструмент является бытовым и предназначен для выполнения небольших объемов работ. Рекомендуется использовать инструмент при температуре от +0°C до +40°C. Запрещается использовать инструмент в целях, для которых он не предназначен.

Расшифровка торговой марки P.I.T.

P.I.T. Progressive Innovational Technology
 (Прогрессивные Инновационные Технологии)

В настоящее время под маркой P.I.T. выпускается механическое и электрическое оборудование 10 видов. Каждая буква и цифра в обозначении модели плоскошлифовальной машины P.I.T. имеет значение.

PSP300-C

P- Торговая марка P.I.T.

SP- Плоскошлифовальная Машина

300- Мощность

C- Серия модификации

Функциональные возможности и особенности

Функциональные возможности:

Конечная обработка и шлифовка поверхностей

Особенности:

- Надежный двухсторонний зажимной механизм
- Пластиковый контейнер-пылесборник
- Подошва из алюминия с мягкой накладкой
- Многочисленные вентиляционные отверстия для быстрого охлаждения
- Удобный дизайн
- Регулировка скорости
- Проста в использовании

ОБЩИЕ МЕРЫ БЕЗОПАСНОСТИ

УСЛОВИЯ ХРАНЕНИЯ:

Хранить электроинструмент необходимо в сухом помещении, оборудованном специальными стеллажами, полками, ящиками, обеспечивающими его сохранность. Держать вдали от источников повышенных температур и воздействия солнечных лучей.

Электроинструмент должен храниться в складских помещениях в упаковке. Без упаковки электроинструмент может храниться только в случае размещения его в один ряд.

УСЛОВИЯ ТРАНСПОРТИРОВКИ:

Транспортировать электроинструмент необходимо осторожно с соблюдением мер, исключающих возможность его повреждения. В крытых транспортных средствах в соответствии с правилами перевозки грузов, действующими на данном виде транспорта. Высотой не более 2,5 метров, в транспортной упаковке. Запрещается перевозить электроинструмент вместе с металлическими деталями и изделиями.

УСЛОВИЯ УТИЛИЗАЦИИ:

Отслужившие свой срок электроинструменты, принадлежности и упаковку следует сдавать на экологически чистую рекуперацию отходов. Не выбрасывайте электроинструмент в контейнеры для бытовых отходов!

БЕЗОПАСНОСТЬ ЛЮДЕЙ

- Запрещается работать людям инструментом больным, усталым или находящимся под действием лекарств, наркотических средств и спиртных напитков. Будьте внимательны и продумывайте свои действия. Невнимательность, действие алкоголя, наркотиков и некоторых видов лекарств ведут к риску получения травм.
- Храните инструмент в местах, недоступных для детей. Не позволяйте детям играть с инструментом, это может привести к травмам.
- При работе с шлифовальной машиной следите, чтобы рабочая поверхность не касалась Вашей кожи или каких-либо частей тела. Держите руки подальше от рабочей области. Контакт с шлифовальной платформой может вести к получению травм.
- Перед началом работы убедитесь, что люди, дети и животные находятся на достаточном расстоянии от места Вашей работы. Следите за детьми, не позволяйте им играть вблизи работающего электроинструмента. Лицо, управляющее инструментом, несет ответственность за любой ущерб, причиненный третьим лицам, пострадавшим от электроинструмента.
- При работе с инструментом пользуйтесь индивидуальными средствами защиты. Используйте защитные очки, маски для защиты органов дыхания, обувь на противоскользящей подошве, средства защиты слуха, защитные шлемы и каски. Использование индивидуальных средств защиты снижает риск получения травм.
- Держите рабочее место в чистоте. Убирайте неиспользуемые инструменты из рабочей зоны. Перед включением инструмента убедитесь, что в рабочей зоне не находятся установочные или гаечные ключи, а также другие инструменты. Попадание ручного инструмента в зону работы движущихся частей инструмента может привести к травмам.
- Перед включением вилки в розетку убедитесь, что кнопка включения инструмента не находится в положении «включено» - это уберезет Вас от случайного пуска инструмента и получения травм.
- При работе с инструментом следите за тем, чтобы вам было удобно. Правильно распределенная нагрузка позволит вам оставаться в устойчивом положении при возникновении непредвиденных ситуаций и снизит риск получения травм.
- Используйте специально разработанную рабочую одежду. Избегайте надевать слишком свободную одежду, снимите ювелирные украшения, укройте длинные волосы. Следите за тем, чтобы детали одежды или волосы находились на достаточном удалении от движущихся частей инструмента.

- Инструмент не может быть использован детьми до 16 лет, лицами с ограниченными физическими, сенсорными или умственными способностями, людьми с недостаточным опытом, знаниями, не изучившими данную инструкцию.

ЭЛЕКТРИЧЕСКАЯ БЕЗОПАСНОСТЬ

- Перед началом работы с инструментом убедитесь, что он будет подключен к источнику питания с напряжением, указанным на этикетке, расположенной на устройстве. Дополнительная информация о напряжении и частоте тока размещена на вилке устройства.
- Электроинструмент, предназначенный для работы с напряжением 230-240 В, может также работать и с напряжением 220±5% В.
- Питание прибора должно осуществляться через автомат с током срабатывания не более 30 мА.
- Убедитесь, что вилка инструмента подходит к розетке. Запрещается вносить изменения в конструкцию штепсельной вилки. Использование оригинальных вилок и исправных розеток снижает риск поражения оператора инструмента электрическим током.
- При подключении инструмента избегайте контакта с заземленными предметами, старайтесь не прикасаться к водопроводным трубам, элементам отопления, и крупной бытовой технике.
- Не оставляйте инструмент под дождем. Не пользуйтесь электроинструментом в помещениях с повышенной влажностью. Жидкости, попавшие в инструмент, ведут к повышению опасности поражения электрическим током.
- Не допускайте загрязнения инструмента. Загрязнения, попавшие в инструмент, могут повысить риск поражения электрическим током.
- Используйте шнур инструмента только по назначению. Не переносите устройство, держа за шнур. Никогда не тяните шнур, пытаясь вытащить вилку из розетки. Держите шнур вдали от источника нагрева, масла и острых предметов. Следите, чтобы шнур не попадал в зону действия электроинструмента. Регулярно осматривайте шнур, при повреждении незамедлительно отремонтируйте его в уполномоченной сервисной службе. Поврежденный или спутанный шнур может усилить риск поражения электрическим током.
- В случае возникновения неисправности, не пытайтесь самостоятельно отремонтировать инструмент, обратитесь к профессиональному персоналу в сервисную мастерскую. Попытки самостоятельно отремонтировать инструмент опасны, и могут привести к поражению электрическим током.

МЕРЫ ПРЕДОСТОРОЖНОСТИ ПРИ РАБОТЕ С ИНСТРУМЕНТОМ.

- Если инструмент комплектуется дополнительными рукоятками, обязательно используйте их для создания дополнительного упора, это позволит легче контролировать инструмент.
- При работе с инструментом необходимо правильно рассчитывать рабочие нагрузки. Не допускайте работы с перегрузкой. Выбирайте инструмент, рассчитанный именно на ту мощность, которая необходима вам. Не используйте маломощный инструмент для выполнения тяжелых работ. В случае необходимости выполнения тяжелых работ пользуйтесь инструментом, предназначенным для таких работ.
- Инструмент не предназначен для непрерывной работы. Работайте с перерывами. Периодически проверяйте, не перегрелся ли инструмент. Используйте инструмент строго по назначению. Помните, что работа инструмента в условиях перегрузки увеличивает вероятность повреждения инструмента и может привести к несчастному случаю.
- Если в комплекте с инструментом поставлены пылеуловитель, обязательно подсоедините его и убедитесь, что устройство работает правильно.
- Следите за исправностью выключателя. Не используйте инструмент с неисправным выключателем. Инструмент с неисправным выключателем потенциально опасен и может служить причиной травм, такой инструмент должен быть доставлен в сервисный центр для ремонта.

- В случае необходимости замены оснастки или настройки инструмента, выключите инструмент с помощью выключателя, а затем отсоедините вилку от сети. Данная мера позволит избежать случайного включения инструмента и получения травм.
- Избегайте случайного пуска, не переносите инструмент подключенным к сети, держа палец на выключателе. После завершения работы выключайте инструмент, а затем отсоединяйте вилку от сети.
- Места хранения инструмента должны быть недоступны для детей и лиц, не ознакомленных с правилами использования инструмента, а также данной инструкцией. Использование инструмента неквалифицированным персоналом может привести к получению травм.
- Старайтесь внимательно следить и ухаживать за инструментом. Регулярно проверяйте работоспособность инструмента, следите за отсутствием внешних и внутренних повреждений, наличием косвенных признаков неправильной работы внутренних механизмов и наличием посторонних шумов при работе инструмента. При обнаружении поломок и повреждений, они должны быть устранены до начала работы для исключения риска несчастных случаев.
- Следите за состоянием оснастки.
- Ни при каких обстоятельствах не пытайтесь работать неисправным инструментом, даже если это возможно.
- Следите за состоянием инструмента. Рукоятки должны быть сухими, на них не должно быть следов масла и смазки.
- Используйте инструмент и оснастку только в соответствии с инструкцией. Использование инструмента при выполнении работ, для которых он не предназначен, может привести к несчастному случаю.
- **ЗАПРЕЩАЕТСЯ** включать инструмент в присутствии легковоспламеняющихся и взрывоопасных веществ (жидкостей, газов и порошков).
- Во время работы с данным инструментом оператор подвергается воздействию вибрации. Долговременное воздействие локальной вибрации может привести к появлению ощущений покалывания или онемения пальцев рук и всей кисти в целом. При возникновении вышеописанных явлений немедленно прекратите работу. Регулярное длительное воздействие локальной вибрации может быть причиной заболеваний, затрагивающих разные органы человека: кровеносные сосуды, нервную систему, кости, суставы, мышцы, соединительную ткань кисти и предплечья. Не используйте инструмент на протяжении длительного времени, ограничивайте время работы с инструментом. При появлении перечисленных выше симптомов, обратитесь за консультацией к врачу.
- Запрещается работать с виброшлифовальной машиной беременным женщинам, лицам с плохой циркуляцией крови в конечностях, лицам, имеющим травмы рук, заболевания нервной системы или страдающим диабетом.

РАБОЧЕЕ МЕСТО

- Избегайте беспорядка на рабочем месте. Работайте в хорошо освещенном помещении. Беспорядок и плохая освещенность могут стать причиной несчастного случая.
- Запрещается работать в условиях повышенной взрывоопасности, в запыленных помещениях, в помещениях с горючими жидкостями и воспламеняющимися газами. При работе электроинструмента возможно образование искр, способных привести к взрывам пыли и паров горючих жидкостей, а также к воспламенению горючих материалов.
- Следите за чистотой рабочего места. Смеси некоторых материалов и пыль цветных металлов способны воспламеняться и взрываться.
- В зоне работы электроинструмента запрещается находиться детям, животным и посторонним лицам, отвлекающим оператора от работы. Будьте внимательны, следите за своими действиями. Невнимательность при работе с электроинструментом может привести к травмам.

ВНИМАНИЕ! Использование вспомогательных принадлежностей или приспособлений, не рекомендованных в настоящей инструкции, может стать причиной травм!

СЕРВИС

- Своевременно проводите профилактические работы, содержите инструмент в чистоте.
- Корпус инструмента следует очищать влажной ветошью, использование растворителей не допускается. После очистки следует полностью высушить инструмент.
- Доверяйте ремонт инструмента только квалифицированному персоналу в сертифицированном сервисном центре.
- Используйте для ремонта только оригинальные или рекомендованные производителем запасные части.
- В случае поломки инструмента обращайтесь в сертифицированные сервисные центры, указанные в гарантийном талоне.

ПРАВИЛА БЕЗОПАСНОСТИ ПРИ РАБОТЕ С ВИБРОШЛИФОВАЛЬНОЙ МАШИНОЙ

- Соблюдайте общие правила работы с инструментом (внимательно прочитайте пункты «БЕЗОПАСНОСТЬ ЛЮДЕЙ» и «МЕРЫ ПРЕДОСТОРОЖНОСТИ ПРИ РАБОТЕ С ИНСТРУМЕНТОМ»)

ВНИМАНИЕ! Во время работы всегда надевайте защитные очки с боковыми накладками. Образующаяся при шлифовании пыль и осколки материала могут повредить органы зрения.

Используйте специальные защитные наушники. Воздействие шума может привести к повреждению органов слуха.

- Перед началом работы проверьте надежность фиксации шлифовальной бумаги в фиксаторе. Никогда не используйте инструмент без шлифовальной бумаги.
- Внимательно следите за состоянием шлифовальной бумаги. Не работайте поврежденной или изношенной шлифовальной бумагой – это ведет к повреждению шлифовальной платформы.
- Используйте инструмент только для шлифовки сухих поверхностей. Конструкция инструмента не предусматривает попадания влаги внутрь корпуса. Запрещается использовать какие-либо жидкости при работе со шлифовальной машиной.
- Обращайте особое внимание на наличие хорошей вентиляции. При работе с виброшлифовальной машиной существует опасность вдыхания пыли, содержащей опасные для здоровья вещества. Также некоторые виды пыли взрывоопасны. Искры, сопутствующие работе машин могут стать причиной пожара или взрыва.
- Некоторые виды пыли могут вызывать аллергические реакции не только при вдыхании, но и при прикосновении. Рекомендуется использовать маску для защиты органов дыхания и перчатки для защиты рук.
- При замене шлифовальной бумаги надевайте перчатки. Рабочие поверхности могут быть горячими и вызвать ожог.
- Будьте внимательны при шлифовке ранее окрашенных поверхностей. Следите за температурой поверхности, не позволяйте снимаемому покрытию чрезмерно нагреваться.
- Для работ по снятию покрытий, содержащих соединения свинца, используйте защитные маски, предназначенные для защиты от соединений свинца. Весь персонал, находящийся в помещении, где ведется работа, должен использовать специальные маски для защиты органов дыхания. Соединения свинца, свинцовая пыль, пары свинца опасны для здоровья. Дети и беременные женщины не должны находиться в помещениях, в воздухе которых распылены соединения свинца. Запрещается принимать пищу, пить и курить в помещениях, загрязненных парами свинца.
- Никогда не обрабатывайте поверхности, содержащие асбест. Асбестовая пыль крайне опасна для здоровья и может вызывать рак.
- При работе с инструментом обрабатываемая поверхность может значительно нагреваться. Внимательно следите за температурой обрабатываемой поверхности и температурой отходов в пылесборнике. Вовремя очищайте пылесборник, следите за чистотой рабочей зоны. Значительное повышение температуры может вести к опасности возникновения пожара. Обработка горячих поверхностей легковоспламеняющимися

жидкостями, в том числе красками, лаками, растворителями может вести к возникновению пожара. Следите, чтобы легковоспламеняющиеся жидкости не попадали в места временного хранения пыли и отходов шлифовки.

- Для оптимизации работы с небольшими деталями закрепляйте обрабатываемую деталь в тисках или другое зажимное устройство – это повысит производительность и сделает Вашу работу более безопасной.
- Для сбора пыли по возможности подключайте инструмент к пылесосу. После окончания работ следите, чтобы отходы были утилизированы экологически чистым способом.

Рекомендации по обслуживанию и содержанию инструмента в чистоте:

- Своевременно удаляйте накопившуюся пыль, особое внимание уделяйте очистке вентиляционных отверстий на корпусе инструмента.
- При обслуживании используйте только те детали, которые полностью идентичны заменяемым.
- Не пытайтесь производить наладку во время работы инструмента.
- Если инструмент долго находился на холоде, перед использованием дайте ему нагреться до комнатной температуры.

ТЕХНИЧЕСКОЕ ОБСЛУЖИВАНИЕ

Извлеките инструмент и принадлежности из упаковки. Внимательно изучите устройство по прилагаемой инструкции.



1. Сетевой шнур
2. Индикатор сети
3. Пылесборник
4. Задний фиксатор шлифовальной бумаги
5. Подошва шлифовальной платформы
6. Передний фиксатор шлифовальной бумаги
7. Корпус виброшлифовальной машины
8. Регулятор частоты вибрации
9. Передняя рукоятка
10. Кнопка включения/выключения виброшлифовальной машины

ПОДГОТОВКА К РАБОТЕ

Перед любыми действиями по обслуживанию инструмента выключите его из сети. Перед началом работы необходимо закрепить шлифовальную бумагу с помощью зажимов:

1. Переведите фиксаторы шлифовальной бумаги (4, 6) в открытое положение.
2. Возьмите лист шлифовальной бумаги подходящего размера и зернистости, и наложите его на подошву шлифовальной платформы (5). Убедитесь, что отверстия в бумаге совпадают с отверстиями на шлифовальной платформе.
3. Заверните края бумаги за край шлифовальной платформы и зафиксируйте их зажимами.
4. Проверьте надежность фиксации бумаги и соответствие отверстий бумаги с отверстиями платформы.



ВНИМАНИЕ! Шлифовальная бумага должна плотно прилегать к поверхности шлифовальной платформы!

СИСТЕМА ПЫЛЕУДАЛЕНИЯ

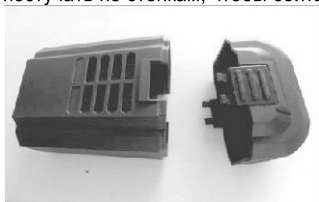
Виброшлифовальная машина оснащена системой пылеудаления.

1. Для сбора пыли конструкцией предусмотрен пластиковый пылесборник (3). Для установки пылесборника достаточно присоединить его к инструменту и слегка нажать в

направлении стрелки. Для снятия пылесборника необходимо нажать кнопку снятия пылесборника и снять его.



При работе с пылесборником необходимо тщательно следить за наполнением пылесборника и часто очищать его от пыли. Перед очисткой пылесборника необходимо снять его и слегка постучать по стенкам, чтобы сбить пыль, скопившуюся на встроенном фильтре.



2. При наличии возможности работы с пылесосом, необходимо снять пластиковый пылесборник и подсоединить вместо него шланг пылесоса. Следите за правильным функционированием системы фильтрации пылесоса! Некоторые виды пыли могут быть опасны для здоровья. Использование пылесоса для сбора пыли увеличивает ресурс шлифовальных листов и улучшает качество шлифуемой поверхности.



ВКЛЮЧЕНИЕ ИНСТРУМЕНТА

Для включения инструмента нажмите кнопку включения/выключения (10), расположенную с левой стороны ручки. Для выключения инструмента нажмите кнопку включения/выключения (10), расположенную с правой стороны ручки.



РЕГУЛИРОВКА ЧАСТОТЫ ВИБРАЦИИ

Отрегулировать частоту вибрации шлифовальной платформы можно с помощью регулятора частоты вибрации (8). Перед началом работы выбирайте необходимую частоту для каждого вида работ, вращая регулятор частоты до нужного значения. Цифра 1 соответствует минимальной частоте вибрации, 6 - максимальной. Для шлифовки пластика лучше использовать малую скорость.



ПРАВИЛА ЭКСПЛУАТАЦИИ

Перед началом шлифовки осмотрите рабочую область. Удалите все шурупы, гвозди и другой крепеж – они могут нанести механические повреждения шлифовальной платформе.

Перемещайте виброшлифовальную машину параллельными движениями вдоль обрабатываемой поверхности.

Не применяйте силу для нажатия на инструмент, удерживайте его легко, но крепко. При сильном давлении на виброшлифовальную машину, подошва шлифовальной платформы быстро выйдет из строя и снизится производительность работы.

После окончания работы очищайте шлифовальную платформу с помощью пылесоса.

Скорость и производительность шлифовки зависит от выбранной Вами частоты вибрации и зернистости шлифовальной бумаги, закрепленной на инструменте.

Используйте различные виды шлифовальной бумаги для различных материалов. Рекомендации по выбору шлифовальной бумаги приведены ниже:

Материал	Шлифовальная бумага(зернистость)
Шлифовка деревянных поверхностей	40-240
Пред-шлифовка: грубая первоначальная обработка, обработка нешлифованного бруса и досок	40, 60
Шлифовка	80, 100, 120
Финишная полировка и полировка твердой древесины	180, 240
Снятие различных покрытий	40-320
Снятие лако-красочных покрытий	40, 60
Снятие грунтовок	80, 100, 120
Финальная шлифовка перед нанесением грунта или краски	180, 240, 320

ОБСЛУЖИВАНИЕ И ЧИСТКА

Внимание! Перед выполнением любых работ по обслуживанию и чистке инструмента выключите инструмент и отсоедините его от сети.

Необходимо чистить инструмент регулярно, желательно сразу же после использования.

Держите вентиляционные отверстия в чистоте, тщательно очищайте их от пыли и других загрязнений. Если это необходимо, используйте мягкую влажную ткань для очистки пыли и грязи с вентиляционных отверстий. Никогда не используйте бензин, растворители, кислоты и другие агрессивные жидкости для очистки инструмента.

Для тщательной очистки инструмента от пыли можно использовать пылесос. Липкую пыль и отходы шлифовки можно удалять с помощью щетки или кисти.

Никогда не используйте острые предметы для очистки инструмента. Не позволяйте жидкости попадать внутрь корпуса.

Помните, что вентиляционные отверстия инструмента должны быть всегда чистыми, чтобы воздух свободно поступал внутрь инструмента для охлаждения механизма.

ВОЗМОЖНЫЕ ПРИЧИНЫ НЕИСПРАВНОСТЕЙ

Проблема	Возможная причина	Методы устранения
Двигатель не запускается	<ol style="list-style-type: none"> 1. Нет напряжения в сети 2. Сломан выключатель 3. Поврежден сетевой шнур или удлинитель 4. Угольные щетки износились 	<ol style="list-style-type: none"> 1. Проверьте наличие напряжения в сети 2. Обратитесь в сервисный центр для замены выключателя 3. Проверьте сетевой шнур и удлинитель. Для замены сетевого шнура обратитесь в мастерскую. 4. Замените угольные щетки
Повышенное искрение на коллекторе	<ol style="list-style-type: none"> 1. Изношены угольные щетки 2. Загрязнен коллектор 3. Неисправна обмотка статора 	<ol style="list-style-type: none"> 1. Замените угольные щетки 2. Обратитесь в сервисный центр 3. Обратитесь в сервисный центр
Двигатель издает нехарактерный шум или работает медленно, перегревается	<ol style="list-style-type: none"> 1. Двигатель неисправен 2. Подошва получила механические повреждения 3. Двигатель перегружен 4. Повышенное/пониженное напряжение в сети 	<ol style="list-style-type: none"> 1. Обратитесь в сервисный центр 2. Проверьте инструмент на наличие повреждений 3. Уменьшите давление на инструмент 4. Используйте стабилизатор напряжения
Редуктор слишком горячий	<ol style="list-style-type: none"> 1. В редукторе недостаточно смазки 2. Смазка редуктора загрязнена 3. Посторонние включения в смазке редуктора 	<ol style="list-style-type: none"> 1. Обратитесь в сервисный центр 2. Обратитесь в сервисный центр 3. Обратитесь в сервисный центр

В случае возникновения других неисправностей, в том числе появления посторонних шумов, запаха дыма и т.д., немедленно прекратите эксплуатацию инструмента и обратитесь в сертифицированный сервисный центр.

Ремонт электроинструмента должен производиться в сертифицированных сервисных центрах. Любое вмешательство в механизм неквалифицированного персонала может привести к

серьезным поломкам, возникновению опасности поражения электрическим током и получению травм.

РЕКОМЕНДАЦИИ ПО ХРАНЕНИЮ

- Перед отправкой инструмента на длительное хранение тщательно очистите его от пыли и грязи, убедитесь, что влага не попадает на инструмент, а помещение для хранения инструмента является сухим.
- Храните инструмент в недоступном для детей, сухом месте.
- Избегайте помещений со слишком высокой или низкой температурой. Температура хранения инструмента должна быть от +5°C до +40°C.
- Оберегайте инструмент от прямых солнечных лучей. Лучше хранить инструмент в темноте или слабоосвещенном помещении.
- Не храните инструмент в полиэтиленовом пакете, это может способствовать повышению влажности, что нежелательно для электрического инструмента.

Компания P.I.T. сохраняет за собой право внесения изменений в конструкцию и технические характеристики своей продукции без предварительного извещения.

УСЛОВИЯ ГАРАНТИЙНОГО ОБСЛУЖИВАНИЯ

1. Настоящее гарантийное свидетельство является единственным документом, подтверждающим Ваше право на бесплатное гарантийное обслуживание. Без предъявления данного свидетельства претензии не принимаются. В случае утери или порчи гарантийное свидетельство не восстанавливается.
 2. Гарантийный срок на электроинструмент составляет 12 месяцев со дня продажи, в течение гарантийного срока сервисная служба бесплатно устраняет производственные дефекты и производит замену деталей, вышедших из строя по вине изготовителя. На период гарантийного ремонта эквивалентный исправный инструмент не предоставляется. Заменяемые детали переходят в собственность служб сервиса. Компания P.I.T. не несет ответственности за вред, который может быть причинен при работе с электроинструментом.
 3. В гарантийный ремонт инструмент принимается в чистом виде, при обязательном наличии надлежащим образом оформленных документов: настоящего гарантийного свидетельства, гарантийного талона, с полностью заполненными полями, штампом торговой организации и подписью покупателя.
 4. Гарантийный ремонт не производится в следующих случаях:
 - при отсутствии гарантийного свидетельства и гарантийного талона или неправильном их оформлении;
 - при совместном выходе из строя якоря и статора электродвигателя, при обугливания или оплавлении первичной обмотки трансформатора сварочного аппарата, зарядного или пуско-зарядного устройства, при оплавлении внутренних деталей, прожиге электронных плат;
 - если гарантийное свидетельство или талон не принадлежат данному электроинструменту или не соответствует установленному поставщиком образцу;
 - по истечении срока гарантии;
 - при попытках самостоятельного вскрытия или ремонта электроинструмента вне гарантийной мастерской; внесения конструктивных изменений и смазки инструмента в гарантийный период, о чем свидетельствуют, например, заломы на шлицевых частях крепежа корпусных деталей.
 - при использовании электроинструмента в производственных или иных целях, связанных с получением прибыли, а также – при возникновении неисправностей связанных с нестабильностью параметров электросети, превышающих нормы, установленные ГОСТ;
 - при неправильной эксплуатации (использование электроинструмента не по назначению, установки на электроинструмент не предназначенных заводом-изготовителем насадок, дополнительных приспособлений и т.п.);
 - при механических повреждениях корпуса, сетевого шнура и при повреждениях, вызванных воздействиями агрессивных средств и высоких и низких температур, попадании инородных предметов в вентиляционные решетки электроинструмента, а также при повреждениях, наступивших в результате неправильного хранения(коррозия металлических частей);
 - при естественном износе деталей электроинструмента, в результате длительной эксплуатации(определяется по признакам полной или частичной выработки ресурса, сильного загрязнения, ржавчины снаружи и внутри электроинструмента, отработанной смазки в редукторе);
 - использование инструмента не по назначению, указанному в инструкции по эксплуатации.
 - при механических повреждениях инструмента;
 - при возникновении повреждений в связи с несоблюдением предусмотренных инструкцией условий эксплуатации(см. главу Указание по технике безопасности в инструкции).
 - повреждение изделия вследствие несоблюдения правил хранения и транспортировки.
- Профилактическое обслуживание электроинструмента (чистка, промывка, смазка, замена пыльников, поршневых и уплотнительных колец) в гарантийный период является платной услугой.
- Срок службы изделия установлен изготовителем и составляет 2 года со дня изготовления.
- О возможных нарушениях, изложенных выше условий гарантийного обслуживания, владельцу сообщается после проведения диагностики в сервисном центре.
- Владелец инструмента доверяет проведение диагностики в сервисном центре в свое отсутствие.
- Запрещается эксплуатация электроинструмента при проявлении признаков повышенного нагрева, искрения, а также шума в редукторной части. Для выяснения причин неисправности покупателю следует обратиться в гарантийную мастерскую.
- Неисправности, вызванные несвоевременной заменой угловых щеток двигателя, устраняются за счет покупателя.
5. Гарантия не распространяется на:
 - сменные принадлежности (аксессуары и оснастка), например: аккумуляторы, диски, ножи, сверла, буры, патроны, цепи, звездочки, цанговые зажимы, шины, элементы натяжения и крепления, головки триммеров, подошвы шлифовальных и ленточных машин, фильтры и т.п.
 - быстроизнашивающиеся детали, например: угловые щетки, приводные ремни, сальники, защитные кожухи, направляющие ролики, направляющие, резиновые уплотнения, подшипники, зубчатые ремни и колеса, стволы, ленты тормоза, храловики и тросы стартеров, поршневые кольца и т.п. Замена их в течении гарантийного срока является платной услугой.
 - шнуры питания, в случае повреждения изоляции, шнуры питания подлежат обязательной замене без согласия владельца (услуга платная).
 - корпуса инструмента.

ГАРАНТИЙНОЕ СВИДЕТЕЛЬСТВО НА ИНСТРУМЕНТ P.I.T.

Наименование изделия _____

Артикул изделия Серийный номер

Дата продажи «__» _____

Наименование торговой организации _____

М.П.

Уважаемый покупатель!

Благодарим Вас за покупку инструмента P.I.T. и надеемся, что Вы останетесь довольны своим выбором. В процессе производства инструменты P.I.T. проходят многоуровневый контроль качества, если тем не менее Ваше изделие будет нуждаться в обслуживании, просим Вас обращаться в авторизированные сервисные центры P.I.T.

Внимание!

При покупке требуйте у продавца проверки комплектности и работоспособности инструмента, заполнение гарантийного свидетельства, гарантийного талона (графы заполняются продавцом) и простановки печати торговой организации в гарантийном свидетельстве и гарантийном талоне.

Гарантия

На основании данного гарантийного свидетельства компания P.I.T. гарантирует отсутствие дефектов производственного характера.

Если в течении гарантийного срока в Вашем изделии тем не менее обнаружатся указанные дефекты, специализированные сервисные центры P.I.T. бесплатно отремонтируют изделие и заменят дефектные запасные части.

Гарантийный срок на электроинструменты P.I.T. составляет 12 месяцев со дня продажи.

«С условиями гарантийного обслуживания ознакомлен(а). Работоспособность и комплектность изделия проверены в моем присутствии. Претензий к качеству и внешнему виду не имею».

Подпись покупателя _____ Фамилия(разборчиво) _____

Телефон _____

P.I.T. WARRANTY CARD



Name _____
 Serial number _____
 Date of sale "" _____
 (Filled by seller)

Seal is here

WARRANTY REPAIR CARD
 date of acceptance for repair ____20_____
 Application for repair _____
 Customer _____
 Telephone (address) _____
 The reason for petition _____
 Tool checked in my presence _____
 (The order is filled in the service center) (signature)

Seal is here



Name _____
 Serial number _____
 Date of sale "" _____
 (Filled by seller)

Seal is here

WARRANTY REPAIR CARD
 date of acceptance for repair ____20_____
 Application for repair _____
 Customer _____
 Telephone (address) _____
 The reason for petition _____
 Tool checked in my presence _____
 (The order is filled in the service center) (signature)

Seal is here



Name _____
 Serial number _____
 Date of sale "" _____
 (Filled by seller)

Seal is here

WARRANTY REPAIR CARD
 date of acceptance for repair ____20_____
 Application for repair _____
 Customer _____
 Telephone (address) _____
 The reason for petition _____
 Tool checked in my presence _____
 (The order is filled in the service center) (signature)

Seal is here

Name _____
 Serial number _____
 The date of sale 20 _____
 The date of receipt of the repair 20 _____

Name _____
 Serial number _____
 The date of sale 20 _____
 The date of receipt of the repair 20 _____

Name _____
 Serial number _____
 The date of sale 20 _____
 The date of receipt of the repair 20 _____

ГАРАНТИЙНЫЙ ТАЛОН P.I.T.



Наименование _____
Серийный номер _____
Дата продажи «__» _____ 20 __ г.
(Заполняется продавцом)

М.П.

КАРТА ГАРАНТИЙНОГО РЕМОНТА __
Дата приема в ремонт __ _____ 20 __ г.
Заявка на ремонт _____
Заказчик _____
Телефон(адрес) _____
Причина обращения _____
Дата получения из ремонта __ _____ 20 __ г.
Инструмент проверен в моем присутствии _____
(Заказ заполняется в сервисном центре) (подпись)

М.П.



Наименование _____
Серийный номер _____
Дата продажи «__» _____ 20 __ г.
(Заполняется продавцом)

М.П.

КАРТА ГАРАНТИЙНОГО РЕМОНТА __
Дата приема в ремонт __ _____ 20 __ г.
Заявка на ремонт _____
Заказчик _____
Телефон(адрес) _____
Причина обращения _____
Дата получения из ремонта __ _____ 20 __ г.
Инструмент проверен в моем присутствии _____
(Заказ заполняется в сервисном центре) (подпись)

М.П.



Наименование _____
Серийный номер _____
Дата продажи «__» _____ 20 __ г.
(Заполняется продавцом)

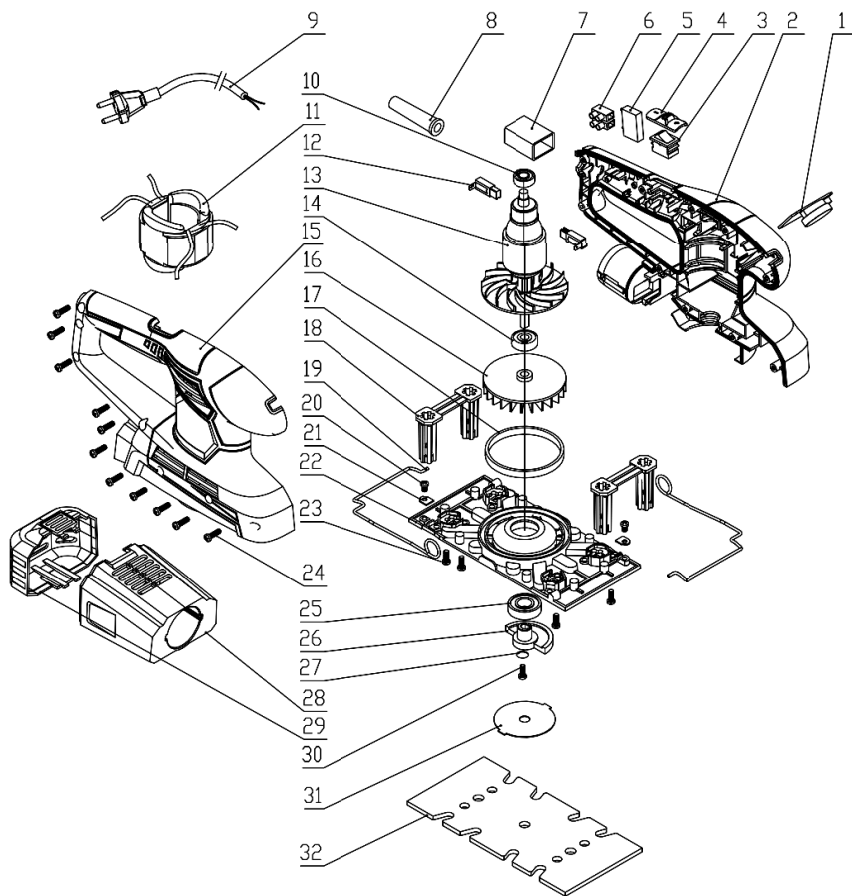
М.П.

КАРТА ГАРАНТИЙНОГО РЕМОНТА __
Дата приема в ремонт __ _____ 20 __ г.
Заявка на ремонт _____
Заказчик _____
Телефон(адрес) _____
Причина обращения _____
Дата получения из ремонта __ _____ 20 __ г.
Инструмент проверен в моем присутствии _____
(Заказ заполняется в сервисном центре) (подпись)

М.П.

P.I.T. WARRANTY SHEET / ГАРАНТИЙНЫЙ ТАЛОН P.I.T.

PSP300-C





Поставщик: Китай Xinjiang Longbo Industrial Co., Ltd.
Адрес производства: Rm. 602, 6th Floor, No. 531, Weixing Road, Economic And Technological Development Zone, Urumqi, Xinjiang, China
Уполномоченный представитель: ООО "Турбо-Тулс"
Юридический адрес: 614012, Пермский КРАЙ, г. Пермь, ул. Норильская, д. 8

Сделано в КНР/Made in China

