



P.I.T.[®]

Progressive Innovational Technology

EN

PRODUCT PASSPORT
USER'S MANUAL

RU

ПАСПОРТ ИЗДЕЛИЯ ИНСТРУКЦИЯ
ПОЛЬЗОВАТЕЛЯ

RECIPROCATING SAW

САБЕЛЬНАЯ ПИЛА



PSA115-C
PSA1200-C

PROGRESSIVE INNOVATIONAL TECHNOLOGY

ПРОГРЕССИВНЫЕ ИННОВАЦИОННЫЕ ТЕХНОЛОГИИ



GENERAL SAFETY PRECAUTIONS

1) Work area safety

- a) Keep your workplace clean. Disorder or unlit areas of the workplace can lead to accidents.
- b) Do not use power tools in an explosive environment, such as in the direct proximity of flammable liquids, gases or dust. Power tools create sparks which may ignite the dust or fumes.
- c) Do not allow children or strangers to operate the power tool. You can lose focus and control.

2) Electrical safety

- a) The power plugs of the power tool must match the socket. Do not change the plug in any way. Do not use lightning adapter with ground for the electric wiring. Plugs and matching sockets will reduce electric shock risk.
- b) Avoid contact with grounded surfaces such as pipes, radiators, heating, and refrigerators. There is an increased risk of electric shock if your body comes in contact with grounded surfaces.
- c) Do not expose power tools to rain or dampness. The water penetration into the power tool increases the electric shock risk.
- d) Do not use the cord in the wrong way. Never use the cord to pull the plug out of the socket. Keep the cord away from heat, oil, sharp edges or moving parts. Damaged or entangled cords increase the electric shock risk.
- e) During outdoors operation, use an extension cord designed for outdoor use. Using a cord designed for outdoor use reduces the electric shock risk.
- f) If operation of the power tool in a dampness location is necessary, use a residual current device (RCD) protecting the power supply. The use of RCD reduces the electric shock risk.

3) Personal safety

- a) Be safe, make sure you use common sense when operating with power tools. Do not use a power tool if you are tired or under the influence of drugs, alcohol or medication. A second lapse of concentration with a power tool can result in serious injury.
- b) Use personal protective equipment. Always wear safety glasses. Protective equipment such as respirator, non-slip protective shoes, helmet, hearing protection is used for appropriate conditions to reduce the injury risk.
- c) Prevent inadvertent energisation. Put the on/off control in the OFF position before connecting to the power supply and / or battery, taking the tool in your hands or when wearing it.
Carrying a power tool with a finger on the on/off control or on the active site of the power supply may result in an accident.
- d) Reset all wrenches or nut settings before turning on the tool. A nut or wrench bolted to the left side of the power tool rotating part may cause injury.
- e) Do not overexert. Stand firmly on your feet and keep balance all the time. This allows you to better control the power tool operation in unexpected situations.
- f) Dress appropriately. Do not wear loose clothing or apparels. Keep hair, clothing, and gloves away from moving parts. Loose clothing, apparels or long hair can get into moving parts.
- g) If the tools are designed for the dust collection, make sure they are connected and used properly. The use of a dust extraction can reduce the risk of dust hazards.

4) Use and care

- a) Do not overload the tool. Use the right tool for the job. A tool with the right power will do the job better and safer at the speed for which it was designed.
- b) Do not use the power tool if the on/off control does not turn it on or off. A power tool that cannot be controlled by the on/off control is dangerous and must be repaired.
- c) Disconnect the plug from the power supply and / or the battery unit from the power tool before setting up, replacing accessories or packing it. Such preventive safety measures reduce the risk of the tool inadvertent energisation.
- d) Keep unused power tools out of the reach of children and do not allow persons unfamiliar with the power tool or these manuals to operate the power tool. Power tools are dangerous in the hands of inexperienced users.
- e) Requires proper care. Check the faultlessness of the moving parts, the absence of damage to parts and any other conditions that may adversely affect the tool operation. If damage is found, transfer the tool for the repair before use. Many accidents are caused by improper care of the power tool.
- f) The cutting parts of the tool must be sharp and clean. With proper care of the tool cutting parts with sharp edges, it is more convenient to cut and easier to control.
- g) Use the power tool, accessories, parts, etc. in accordance with these manuals; all working conditions and the work to be performed. Use of the power tool for other purposes may result in a hazardous situation.

EXPLANATION OF P.I.T. TRADEMARK

P.I.T. Progressive Innovational Technology

Currently, 10 kinds of mechanical and electrical equipment are produced under the P.I.T. trademark. In terms of sales, reciprocating saws occupy one of the leading positions.

The designation of the reciprocating saw model has the following meaning.

For example, **PSA115-C**

PSA – reciprocating saw

115 – Maximum cutting capacity

C – modification series

INTENDED USE

This multifunctional saw is designed for cutting wood, iron, non-ferrous metals, as well as plastic. Install only the appropriate hacksaw blades on the saw. The tool is intended for use only for its intended purpose. Any other use is improper. Any damage or injury caused by use of the tool for other than its intended purpose is the responsibility of the user/operator and not the manufacturer. Please note that the tool is not intended for commercial, trading or industrial use. If used for commercial, trading or industrial use, the warranty is void.

PRODUCT SPECIFICATIONS

	PSA115-C	PSA1200-C
Rated voltage	220 V	220 V
Rated output capacity	980W	1200W
Stroking speed	0-2,500 stroke per minute	0-2,500 stroke per minute
Stroke	20 mm	28mm
Maximum cutting depth on wood	115mm	115mm
Maximum cutting depth on metal	10 mm	10 mm
Weight	3.4 kg	

Note:

As the products are constantly being improved, we reserve the right to make changes to the product specifications listed here without prior notice.

STANDARD SET

- Blade for metal cutting
- Blade for wood cutting
- Hex wrench
- Operation manual
- Reciprocating saw

FEATURES

- Electronic speed control
- Pendulum stroke
- Bearing shoe
- Double insulation

COMPONENT PARTS

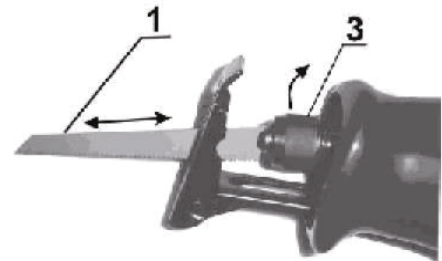


- | | |
|-------------------------|----------------------|
| 1. Blade | 6. On/off control |
| 2. Pivotaly mounted pad | 7. Lock button |
| 3. Saw quick-fix | 8. Gearbox cover |
| 4. Brush holder | 9. Electromotor case |
| 5. Power indicator | 10. Handle |

RULES OF OPERATION

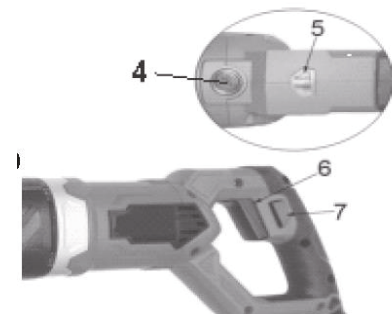
Blade installation

1. First disconnect the tool from the power supply.
2. Turn the saw quick-fix (3) by hand counterclockwise.
3. Then presses the saw (1) until it reaches the deepest position, then loosen the saw quick-fix (3), make sure it is firmly fixed.



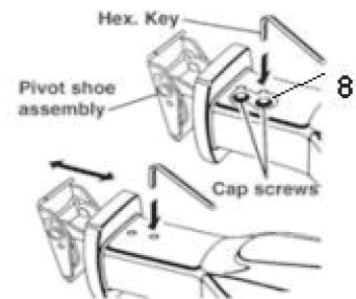
On/Off

1. Connect the tool to the power supply; the power indicator (5) will light until the tool is disconnected from the power supply.
2. To turn the tool on or off, press or release the on/off control (6).
3. For continuous operation, press the lock button (7) on the left side of the handle.



Changing the position of the pivotally mounted pad

1. Disconnect the tool. **WARNING:** Failure to disconnect the tool from the power supply may result in the tool inadvertent energisation and serious injury.
2. Loosen both screws in the mechanism frame with the hex wrench.
3. Insert or remove the pivotally mounted pad.
4. Tighten both screws firmly. Do not overtighten.
5. Remove the hex wrench.



Conventional cutting

Fix the clip on the workpiece if it is portable, place the tool bearing shoe on the workpiece [make sure the saw does not touch the workpiece] and start cutting with enough pressure to keep the bearing shoe on the workpiece at all times. Don't put too much effort into it. Do not curve or roll the saw, let the tool and the saw do their job.

Rough saws are mainly designed to work on wood, plastic and composite materials, and fine saws for cutting metal. Loose parts or vibrations may indicate that you should select a fine saw or set a higher speed if the saw overheats or becomes clogged, this may indicate that you need a rougher saw. Dull saw will give poor results and can lead to overheating of the tool.

Processing with in-feed movement

Accurately mark the cutting line, with a convenient starting point within the cut area; place the saw tip above this point parallel to the cutting line; moving down the tool until the button on the pad edge rests on the workpiece; the saw does not touch the workpiece, start cutting and allow it to reach full speed. Tool, based on the pad, slowly tilt forward, so that the saw will be below the cutting line. Continue until the tool is perpendicular to the workpiece.

Metal cutting

For metal cutting it is necessary to use the saws specially intended for this purpose. You can use low-viscosity oil as a heat carrier when cutting metal, it will prevent the saw overheating, help fast cutting and extend the saw service life.

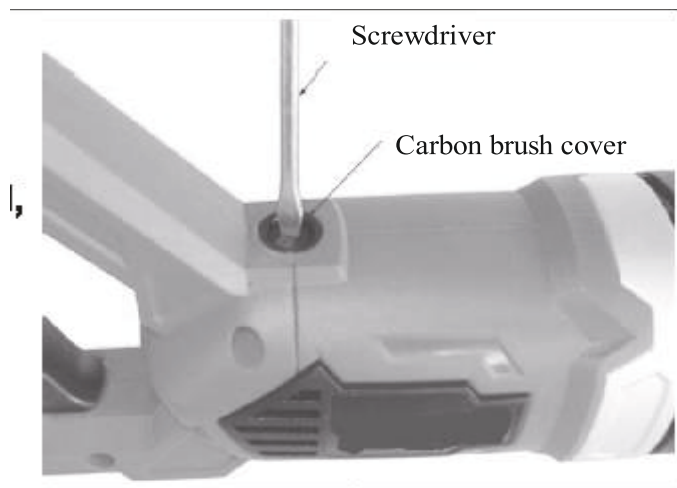
MAINTENANCE

Replacing carbon brushes

NOTE: Brush should always be replaced in pairs.

CAUTION: always disconnect the tool from the power supply before replacing the carbon brushes.

Unscrew the carbon brush cover counterclockwise with a screwdriver, open the cover and remove the carbon brushes. If they are 6 mm or less, they should both be replaced. Install new carbon brushes.





TERMS OF WARRANTY SERVICE

1. This Warranty Certificate is the only document that confirms your right to free warranty service. Without presenting this certificate, no claims are accepted. In case of loss or damage, the warranty certificate is not restored.

2. The warranty period for the electric machine is 12 months from the date of sale, during the warranty period the service department eliminates manufacturing defects and replaces parts that have failed due to the fault of the manufacturer free of charge. In the warranty repair, an equivalent operable product is not provided. Replaceable parts become property of service providers.

P.I.T is not liable for any damage that may be caused by operation of the electric machine.

3. Only clean tool accompanied with the following duly executed documents: this Warranty Certificate, Warranty Card, with all fields filled out, bearing the stamp of the trade organization and the signature of the buyer, shall be accepted for warranty repair.

4. Warranty repair is not performed in the following cases:

- in the absence of a Warranty Certificate and a Warranty Card or their incorrect execution;
- with failure of both a rotor and a stator of the electric engine, charring or melting of primary winding of the welding machine transformer, charging or starting-charging device, with internal parts melting, burn down of electronic circuit boards;
- if a Warranty Certificate or a Warranty Card does not correspond to this electric machine or to the form established by the supplier;
- upon expiration of the warranty period;
- at attempts of opening or repair of the electric machine outside the warranty workshop; making constructive changes and lubrication of the tool during the warranty period, as evidenced, for example, by the creases on the spline parts of the fasteners of non-rotational parts.
- when using electric tools for production or other purposes connected with making a profit, as well as in case of malfunctions related to instability of the power network parameters exceeding the norms established by GOST;
- in the events of improper operation (use the electric machine for other than intended purposes, attachments to the electric machine of attachments, accessories, etc. not provided by the manufacturer);
- with mechanical damage to the case, power cord and in case of damages caused by aggressive agents and high and low temperatures, ingress of foreign objects in the ventilation grids of the electric machine, as well as in case of damage resulting from improper storage (corrosion of metal parts);
- natural wear and tear on the parts of the electric machine, as a result of long-term operation (determined on the basis of the signs of full or partial depletion of the specified mean life, great contamination, presence of rust outside and inside the electric machine, waste lubricant in the gearbox);
- use of the tool the purposes for other than specified in the operating instructions.
- mechanical damages to the tool;
- in the event of damages due to non-observance of the operating conditions specified in the instruction (see chapter "Safety Precautions" of the Manual).
- damage to the product due to non-observance of the rules of storage and transportation.

Preventive maintenance of electric machines (cleaning, washing, lubrication, replacement of anthers, piston and sealing rings) during the warranty period is a paid service.

The service life of the product is determined by the manufacturer and is 2 years from the date of manufacture.

The owner is notified of any possible violations of the above terms of warranty service upon completion of diagnostics in the service center.

The owner of the tool entrusts the diagnostic procedure to be conducted in the service center in his absence.

Do not operate the electric machine when there are signs of excessive heat, sparking, or noise in the gearbox. To determine the cause of the malfunction, the buyer should contact the warranty service center.

Malfunctions caused by late replacement of carbon brushes of the engine are eliminated at the expense of the buyer.

5. The warranty does not cover:

- replacement accessories (accessories and components), for example: batteries, discs, blades, drill bits, borers, chucks, chains, sprockets, collet clamps, guide rails, tension and fastening elements, trimming device heads, base of grinding and belt sander machines, filters, etc.,
- fast wearing parts, for example: carbon brushes, drive belts, seals, protective covers, guiding rollers, guides, rubber seals, bearings, toothed belts and wheels, shanks, brake belts, starter ratchets and ropes, piston rings, etc. Their replacement during the warranty period is a paid service;
- power cords, in case of damage to the insulation, power cords are subject to mandatory replacement without the consent of the owner (paid service);
- tool case;
- saw blade;
- damage caused by non-compliance of the mains parameters to the rated voltage specified in the operation manual;
- independent repair or unauthorized attempts to make changes to the device design;
- strong mechanical, electrotechnical, chemical affections;
- getting inside the device aggressive and conductive liquids, the presence inside the device of the metal dust / shavings;
- strong internal contamination, resulting in malfunction.



P.I.T. WARRANTY CERTIFICATE

Product Name _____

Place of seal _____

Product Number

Serial Number

Sale Date _____

Trade Organization Name _____

Dear customer!

Thank you for purchasing the P.I.T tool, and we hope that you will be satisfied with your choice. In the process of manufacturing the P.I.T tools pass multilevel quality control, if nevertheless your product will need maintenance, please contact the authorized P.I.T service centers.

Attention!

When buying, ask a seller to check the completeness and operability of the tool, to fill out the Warranty Certificate, the Warranty Card (the boxes shall be filled out by a seller) and to affix the seal of the trade organization in the Guarantee Certificate and the Warranty Card.

Warranty

By this Warranty Certificate, P.I.T. company guarantees the absence of defects of the production nature.

In the event any of the above defects are detected during the warranty period, the specialized P.I.T. service centers shall repair the product and replace the defective spare parts free of charge.

The warranty period for P.I.T. electric machines is 12 months from the date of sale.

“The warranty maintenance terms acknowledged and accepted. The operability and completeness of the product are checked in my presence. No claims on quality and appearance.”

Buyer’s Signature _____ **Surname (legibly)** _____

Phone _____



ОБЩИЕ МЕРЫ БЕЗОПАСНОСТИ

1) Безопасность рабочей зоны

- a) Содержите рабочее место в чистоте и хорошо освещенным. Беспорядок на рабочем месте или темнота могут привести к несчастным случаям.
- b) Не используйте электроинструменты во взрывоопасной среде, например, в непосредственной близости от легковоспламеняющихся жидкостей, газов или пыли. Электроинструменты создают искры, которые могут воспламенить пыль или пары.
- c) Не допускайте детей или посторонних на время работы электроинструментом. Вы можете отвлечься и потерять контроль.

2) Электробезопасность

- a) Вилки питания электроинструмента должны соответствовать розетке. В любом случае никогда не переделывайте вилку. Не используйте адаптер зажигания с заземлением для электромонтажа. Вилки и соответствующие сетевые розетки снижают риск поражения электрическим током.
- b) Избегайте контакта с заземленными поверхностями, такими как трубы, радиаторы, плиты и холодильники. Существует повышенный риск поражения электрическим током, если ваше тело соприкасается с заземленными поверхностями.
- c) Не подвергайте электроинструменты воздействию дождя или сырости. Попадание воды в электроинструмент повышает риск поражения электрическим током.
- d) Не эксплуатируйте шнур неправильным образом. Никогда не используйте шнур для вытягивания вилки из розетки. Держите шнур вдали от тепла, масла, острых кромок или движущихся частей. Поврежденный или спутанный кабель повышает риск поражения электрическим током.
- e) При работе на улице используйте удлинитель, предназначенный для работы вне помещений. Использование шнура, предназначенного для работы вне помещения, снижает риск поражения электрическим током.
- f) Если работа с электроинструментом в сыром помещении неизбежна, использование устройства остаточного тока (УОТ), защищающее блок питания. Использование УОТ снижает риск поражения электрическим током.

3) Персональная безопасность

- a) Будьте внимательны, следите, что вы руководствуетесь здравым смыслом при работе с электроинструментом. Не пользуйтесь электроинструментом, если Вы устали или находитесь под воздействием наркотиков, алкоголя или лекарств. Секундная потеря концентрации в работе с электроинструментом может привести к серьезной травме.
- b) Используйте средства индивидуальной защиты. Всегда надевайте защитные очки. Такие средства защиты, как респиратор, нескользящая защитная обувь, каска, средства защиты органов слуха используются для соответствующих условий, чтобы снизить риск получения травмы.
- c) Предотвращайте случайное включение. Ставьте переключатель в положение ВЫКЛ перед подключением к источнику питания и / или аккумулятору, взяв инструмент в руки или при ношении. Ношение электроинструмента с пальцем на переключателе или на активном участке подачи энергии может привести к несчастному случаю.
- d) Сбросьте все настройки ключа или гайки до того, как включаете инструмент. Гайка или ключ, прикрученные с левой стороны к вращающейся части электроинструмента, могут привести к травме.
- e) Не перенапрягайтесь. Твердо стойте на ногах и все время держите баланс. Это позволяет лучше контролировать работу с электроинструментом в неожиданных ситуациях.
- f) Одевайтесь соответствующим образом. Не надевайте свободную одежду или украшения. Держите волосы, одежду и перчатки подальше от движущихся частей. Свободная одежда, украшения или длинные волосы могут попасть в движущиеся части.
- g) Если устройства предназначены для сбора пыли, убедитесь, что они подсоединены и используются надлежащим образом. Применение пылесоса может снизить риск опасностей, связанных с пылью.

4) Использование и уход

- a) Не перегружайте инструмент. Используйте правильный инструмент, предназначенный для данной работы. Инструмент с нужной мощностью будет делать эту работу лучше и безопаснее при скорости, для которой он был разработан.
- b) Не используйте электроинструмент, если коммутатор не включает его и не выключает. Электроинструмент, который не может управляться с помощью выключателя, опасен и должен быть отремонтирован.
- c) Отсоедините штепсель от источника питания и / или батарейный блок от электроинструмента, прежде чем приступить к настройке, замене принадлежностей или его упаковке. Такие превентивные меры безопасности уменьшают риск случайного включения инструмента.
- d) Храните неиспользуемый электроинструмент в недоступном для детей месте и не позволяйте лицам, не знакомым с электроинструментом или этими инструкциями, работать с электроинструментом. Электроинструменты представляют собой опасность в руках неопытных пользователей.
- e) Требуется надлежащего ухода. Проверяйте безупречность подвижных частей, отсутствие поломок деталей и любые другие условия, которые могут негативно сказаться на работе инструмента. При обнаружении повреждений сдайте инструмент в ремонт перед использованием. Много несчастных случаев вызваны ненадлежащим уходом за электроинструментом.
- f) Режущие детали инструмента должны быть острыми и чистыми. При надлежащем уходе за режущими деталями инструмента с острыми кромками, удобнее резать и их легче контролировать.
- g) Используйте электроинструмент, принадлежности, детали и т.д. в соответствии с этими инструкциями, все условия труда и работы должны быть выполнены. Использование электроинструмента не по назначению может привести к опасной ситуации.

РАСШИФРОВКА ТОРГОВОЙ МАРКИ P.I.T.

P.I.T.[®] Progressive Innovational Technology (Прогрессивные Инновационные Технологии)

В настоящее время под маркой P.I.T. выпускается механическое и электрическое оборудование 10 видов. По объему продаж сабельные пилы занимают одно из лидирующих мест. Каждая буква и цифра в обозначении модели сабельной пилы P.I.T. имеет значение.

Например, PSA115-C

PSA – пила сабельная

115 – Максимальная режущая способность

C – серия модификации

НАЗНАЧЕНИЕ

Эта многофункциональная пила предназначена для распила древесины, железа, цветных металлов, а также пластмассы. Устанавливайте на пилу только соответствующие ножовочные полотна. Инструмент предназначен для использования только по целевому назначению. Любое другое использование является ненадлежащим. За любые повреждения или травмы, связанные с использованием оборудования не по назначению, несет ответственность пользователь/оператор, а не производитель. Обратите внимание, что инструмент не предназначен для коммерческого, торгового или промышленного применения. При использовании его для коммерческого, торгового или промышленного применения, гарантия аннулируется.

ТЕХНИЧЕСКИЕ ХАРАКТЕРИСТИКИ

	PSA115-C	PSA1200-C
Номинальное напряжение	220 В	220 В
Номинальная выходная мощность	980Вт	1200Вт
Скорость хода	0-2500ход/мин	0-2500ход/мин
Величина хода	20мм	28мм
Максимальная глубина пропила по дереву	115мм	115мм
Максимальная глубина пропила по металлу	10мм	10мм
Вес	3.4кг	3.5кг

Примечание:

Так как изделия постоянно совершенствуются, P.I.T. оставляет за собой право на внесение изменений в указанные здесь технические характеристики без предварительного уведомления.

КОМПЛЕКТ ПОСТАВКИ

- Полотно для резки по металлу
- Полотно для резки по дереву
- Шестигранный ключ
- Руководство по эксплуатации
- Пила сабельная

ОСОБЕННОСТИ

- электронная регулировка скорости
- маятниковый ход
- опорный башмак
- двойная изоляция

СОСТАВНЫЕ ЧАСТИ

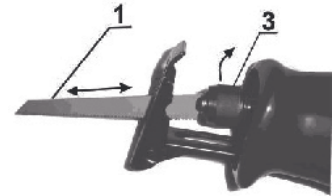


- | | |
|-----------------------------------|----------------------------|
| 1. Полотно | 6. Выключатель |
| 2. Шарнирно установленная колодка | 7. Кнопка блокировки |
| 3. Быстрозажим пилки | 8. Кожух редуктора |
| 4. Щеткодержатель | 9. Корпус электродвигателя |
| 5. Сетевой индикатор | 10. Рукоятка |

ПРАВИЛА ЭКСПЛУАТАЦИИ

Установка лезвия

1. Сначала отключите инструмент от источника питания
2. Поверните ручную быстросажим пилки (3) против часовой стрелки.
3. Затем нажмите на пилку (1) до достижения самой глубокой позиции, затем ослабьте быстросажим пилки (3), убедитесь, что он прочно зафиксирован.



Включение/выключение

1. Подключите инструмент к источнику питания, индикатор включения питания (5) будет гореть до тех пор, пока инструмент не будет отключен от источника питания.
2. Для включения или выключения инструмента необходимо нажимать или отпускать выключатель (6).
3. Для непрерывного функционирования нажмите кнопку блокировки (7) на левой стороне ручки.

Резка по металлу

Для резки по металлу следует использовать специально предназначенные для этого пилки. Вы можете использовать маловязкое масло в качестве теплоносителя при резке металла, это предотвратит перегрев пилки, поможет быстрой резке и продлит срок эксплуатации пилки.

ТЕХНИЧЕСКОЕ ОБСЛУЖИВАНИЕ

Замена угольных щеток

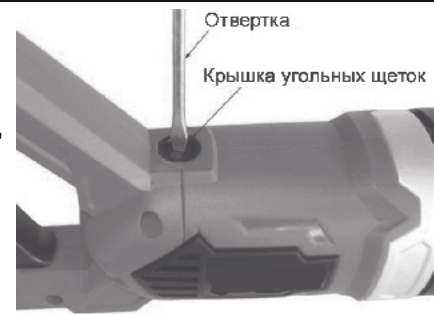
ВНИМАНИЕ: Щетки всегда должны заменяться парами.

ОСТОРОЖНО: Всегда отключайте инструмент от источника питания, прежде чем производить замену угольных щеток.

Открутите крышку угольных щеток против часовой стрелки с помощью отвертки, откройте крышку и удалите угольные щетки.

Если они составляют 6 мм или меньше, то они обе должны быть заменены.

Установите новые угольные щетки.



УСЛОВИЯ ГАРАНТИЙНОГО ОБСЛУЖИВАНИЯ

1. Настоящее гарантийное свидетельство является единственным документом, подтверждающим Ваше право на бесплатное гарантийное обслуживание. Без предъявления данного свидетельства претензии не принимаются. В случае утери или порчи гарантийное свидетельство не восстанавливается.

2. Гарантийный срок на электроинструмент составляет 12 месяцев со дня продажи, в течение гарантийного срока сервисная служба бесплатно устраняет производственные дефекты и производит замену деталей, вышедших из строя по вине изготовителя. На период гарантийного ремонта эквивалентный исправный инструмент не предоставляется. Заменяемые детали переходят в собственность служб сервиса. Компания P.I.T. не несет ответственности за вред, который может быть причинен при работе с электроинструментом.

3. В гарантийный ремонт инструмент принимается в чистом виде, при обязательном наличии надлежащим образом оформленных документов: настоящего гарантийного свидетельства, гарантийного талона, с полностью заполненными полями, штампом торговой организации и подписью покупателя.

4. Гарантийный ремонт не производится в следующих случаях:

- при отсутствии гарантийного свидетельства и гарантийного талона или неправильном их оформлении;
- при совместном выходе из строя якоря и статора электродвигателя, при обугливание или оплавлении первичной обмотки трансформатора сварочного аппарата, зарядного или пуско-зарядного устройства, при оплавлении внутренних деталей, прожиге электронных плат;
- если гарантийное свидетельство или талон не принадлежат данному электроинструменту или не соответствует установленному поставщиком образцу;
- по истечении срока гарантии;
- при попытках самостоятельного вскрытия или ремонта электроинструмента вне гарантийной мастерской; внесения конструктивных изменений и смазки инструмента в гарантийный период, о чем свидетельствуют, например, заломы на шлицевых частях крепежа корпусных деталей.
- при использовании электроинструмента в производственных или иных целях, связанных с получением прибыли, а также – при возникновении неисправностей связанных с нестабильностью параметров электросети, превышающих нормы, установленные ГОСТ;
- при неправильной эксплуатации (использование электроинструмента не по назначению, установки на электроинструмент не предназначенных заводом-изготовителем насадок, дополнительных приспособлений и т.п.;
- при механических повреждениях корпуса, сетевого шнура и при повреждениях, вызванных воздействиями агрессивных средств и высоких и низких температур, попадании инородных предметов в вентиляционные решетки электроинструмента, а также при повреждениях, наступивших в результате неправильного хранения(коррозия металлических частей);
- при естественном износе деталей электроинструмента, в результате длительной эксплуатации(определяется по признакам полной или частичной выработки ресурса, сильного загрязнения, ржавчины снаружи и внутри электроинструмента, отработанной смазки в редукторе);
- использование инструмента не по назначению, указанному в инструкции по эксплуатации.
- при механических повреждениях инструмента;
- при возникновении повреждений в связи с несоблюдением предусмотренных инструкцией условий эксплуатации(см. главу Указание по технике безопасности в инструкции).
- повреждение изделия вследствие несоблюдения правил хранения и транспортировки.

Профилактическое обслуживание электроинструмента (чистка, промывка, смазка, замена пыльников, поршневых и уплотнительных колец) в гарантийный период является платной услугой.

Срок службы изделия установлен производителем и составляет 2 года со дня изготовления.

О возможных нарушениях, изложенных выше условий гарантийного обслуживания, владельцу сообщается после проведения диагностики в сервисном центре.

Владелец инструмента доверяет проведение диагностики в сервисном центре в свое отсутствие.

Запрещается эксплуатация электроинструмента при проявлении признаков повышенного нагрева, искрения, а также шума в редукторной части. Для выяснения причин неисправности покупателю следует обратиться в гарантийную мастерскую.

Неисправности, вызванные несвоевременной заменой угольных щеток двигателя, устраняются за счет покупателя.

5. Гарантия не распространяется на:

- сменные принадлежности (аксессуары и оснастка), например: аккумуляторы, диски, ножи, сверла, буры, патроны, цепи, звездочки, цанговые зажимы, шины, элементы натяжения и крепления, головки триммеров, подошвы шлифовальных и ленточных машин, фильтры и т.п.,
- быстроизнашивающиеся детали, например: угольные щетки, приводные ремни, сальники, защитные кожухи, направляющие ролики, направляющие, резиновые уплотнения, подшипники, зубчатые ремни и колеса, стволы, ленты тормоза, храповики и тросы стартеров, поршневые кольца и т.п. Замена их в течении гарантийного срока является платной услугой;
- шнуры питания, в случае повреждения изоляции, шнуры питания подлежат обязательной замене без согласия владельца (услуга платная);
- корпуса инструмента;
- пильные полотна;
- повреждений, которые вызваны несоответствием параметров сети номинальному напряжению, указанному в инструкции по применению;
- самостоятельного ремонта или попыток самовольного внесения изменений в конструкцию аппарата;
- сильного механического, электротехнического, химического воздействия;
- попадания внутрь аппарата агрессивных и токопроводящих жидкостей, наличие внутри аппарата металлической пыли / стружки
- сильное внутреннее загрязнение, повлекшее за собой неисправность.

ГАРАНТИЙНОЕ СВИДЕТЕЛЬСТВО НА ИНСТРУМЕНТ P.I.T.

Наименование изделия _____
Артикул изделия
Серийный номер
Дата продажи «__» _____
Наименование торговой организации _____

М.П.

Уважаемый покупатель!

Благодарим Вас за покупку инструмента P.I.T. и надеемся, что Вы останетесь довольны своим выбором. В процессе производства инструменты P.I.T. проходят многоуровневый контроль качества, если тем не менее Ваше изделие будет нуждаться в обслуживании, просим Вас обращаться в авторизованные сервисные центры P.I.T.

Внимание!

При покупке требуйте у продавца проверки комплектности и работоспособности инструмента, заполнение гарантийного свидетельства, гарантийного талона(графы заполняются продавцом) и простановки печати торговой организации в гарантийном свидетельстве и гарантийном талоне.

Гарантия

На основании данного гарантийного свидетельства компания P.I.T. гарантирует отсутствие дефектов производственного характера.

Если в течении гарантийного срока в Вашем изделии тем не менее обнаружатся указанные дефекты, специализированные сервисные центры P.I.T. бесплатно отремонтируют изделие и заменят дефектные запасные части.

Гарантийный срок на электроинструменты P.I.T. составляет 12 месяцев со дня продажи.

«С условиями гарантийного обслуживания ознакомлен(а). Работоспособность и комплектность изделия проверены в моем присутствии. Претензий к качеству и внешнему виду не имею».

Подпись покупателя _____ Фамилия(разборчиво) _____

Телефон _____



P.I.T. WARRANTY CARD





ГАРАНТИЙНЫЙ ТАЛОН P.I.T.

Наименование _____
Серийный номер _____
Дата продажи «__» _____ 20__ г.
Дата получения из ремонта «__» _____ 20__ г.



Наименование _____
Серийный номер _____
Дата продажи «__» _____ 20__ г.
(Заполняется продавцом)

М.П.

КАРТА ГАРАНТИЙНОГО РЕМОНТА __
Дата приема в ремонт __ _____ 20__ г.
Заявка на ремонт _____
Заказчик _____
Телефон(адрес) _____
Причина обращения _____
Дата получения из ремонта __ _____ 20__ г.
Инструмент проверен в моем присутствии _____
(Заказ заполняется в сервисном центре) (подпись)

М.П.

Наименование _____
Серийный номер _____
Дата продажи «__» _____ 20__ г.
Дата получения из ремонта «__» _____ 20__ г.



Наименование _____
Серийный номер _____
Дата продажи «__» _____ 20__ г.
(Заполняется продавцом)

М.П.

КАРТА ГАРАНТИЙНОГО РЕМОНТА __
Дата приема в ремонт __ _____ 20__ г.
Заявка на ремонт _____
Заказчик _____
Телефон(адрес) _____
Причина обращения _____
Дата получения из ремонта __ _____ 20__ г.
Инструмент проверен в моем присутствии _____
(Заказ заполняется в сервисном центре) (подпись)

М.П.

Наименование _____
Серийный номер _____
Дата продажи «__» _____ 20__ г.
Дата получения из ремонта «__» _____ 20__ г.



Наименование _____
Серийный номер _____
Дата продажи «__» _____ 20__ г.
(Заполняется продавцом)

М.П.

КАРТА ГАРАНТИЙНОГО РЕМОНТА __
Дата приема в ремонт __ _____ 20__ г.
Заявка на ремонт _____
Заказчик _____
Телефон(адрес) _____
Причина обращения _____
Дата получения из ремонта __ _____ 20__ г.
Инструмент проверен в моем присутствии _____
(Заказ заполняется в сервисном центре) (подпись)

М.П.



T. WARRANTY CARD

Name _____
Serial number _____
The date of sale 20____
The date of receipt of the repair 20____



Name _____
Serial number _____
Date of sale "" _____
(Filled by seller)

Seal is here

WARRANTY REPAIR CARD

date of acceptance for repair ____ 20 ____ .
Application for repair _____
Customer _____
Telephone (address) _____
The reason for petition _____
Tool checked in my presence _____
(The order is filled in the service center) (signature)

Seal is here

Name _____
Serial number _____
The date of sale 20____
The date of receipt of the repair 20____



Name _____
Serial number _____
Date of sale "" _____
(Filled by seller)

Seal is here

WARRANTY REPAIR CARD

date of acceptance for repair ____ 20 ____ .
Application for repair _____
Customer _____
Telephone (address) _____
The reason for petition _____
Tool checked in my presence _____
(The order is filled in the service center) (signature)

Seal is here

Name _____
Serial number _____
The date of sale 20____
The date of receipt of the repair 20____



Name _____
Serial number _____
Date of sale "" _____
(Filled by seller)

Seal is here

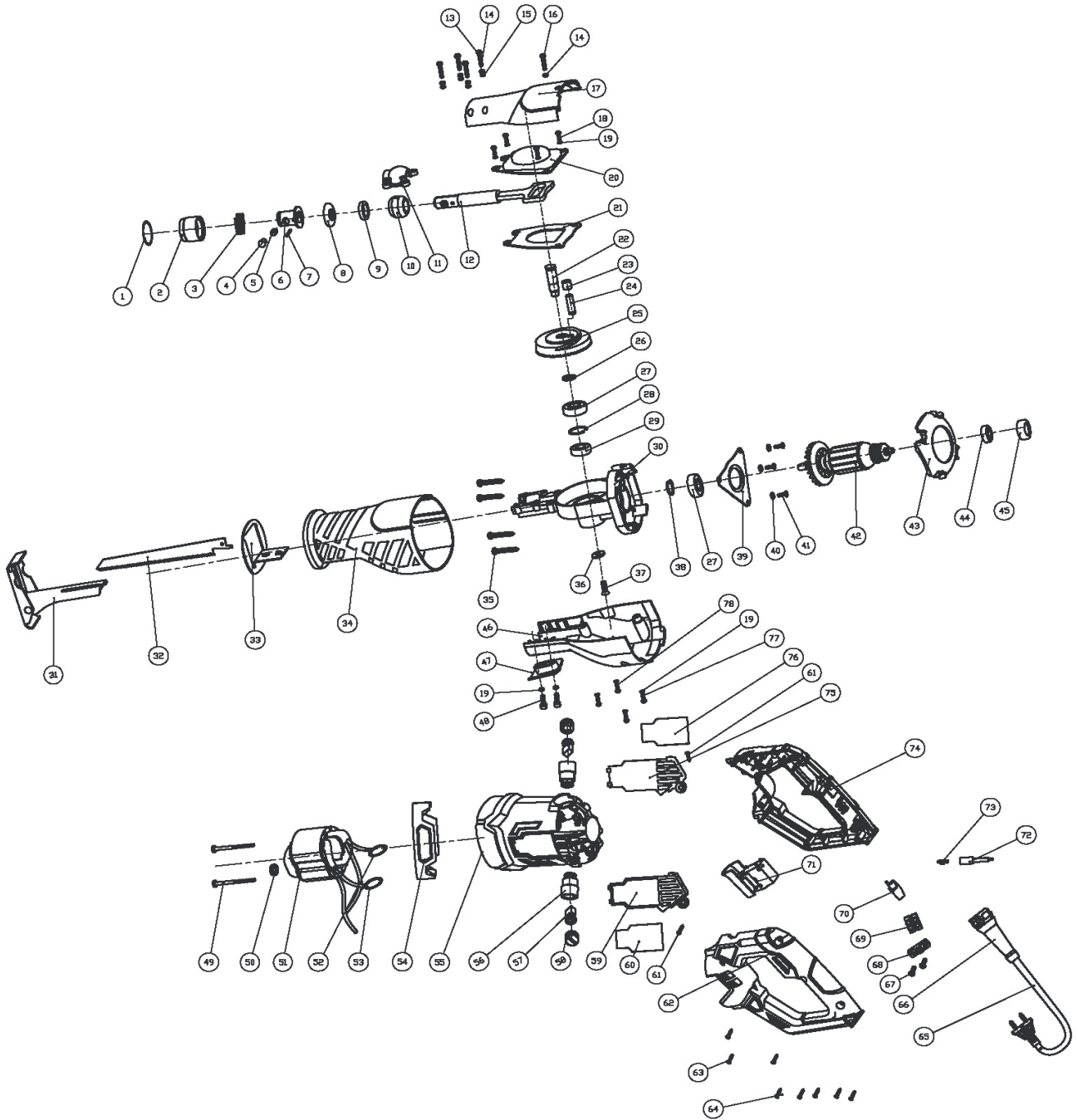
WARRANTY REPAIR CARD

date of acceptance for repair ____ 20 ____ .
Application for repair _____
Customer _____
Telephone (address) _____
The reason for petition _____
Tool checked in my presence _____
(The order is filled in the service center) (signature)

Seal is here



PSA115-C PSA1200-C





Поставщик: Китай Xinjiang Longbo Industrial Co., Ltd.

Адрес производства: Rm. 602, 6th Floor, No. 531, Weixing Road, Economic And Technological Development Zone, Urumqi, Xinjiang, China

Уполномоченный представитель: ООО "Турбо-Тулс"

Юридический адрес: 117246, г. Москва, ул. Херсонская, 43
info@pittools.ru

Сделано в КНР/Made in China

